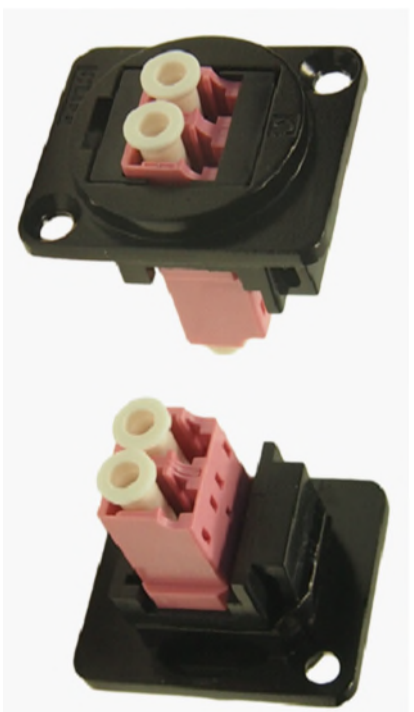
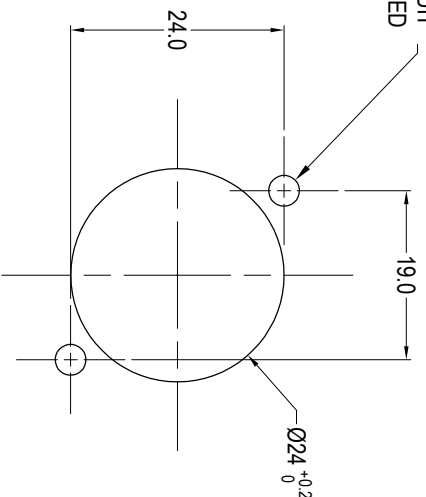
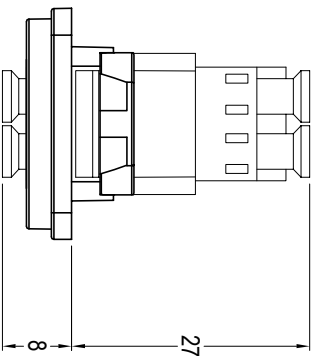


ISS.	AMEND	DATE
1	ISSUED	27/04/21

PANEL CUTOUT
MAXIMUM PANEL
THICKNESS 3mm

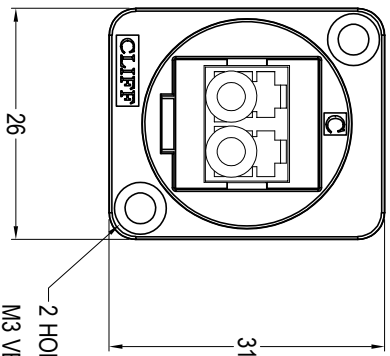
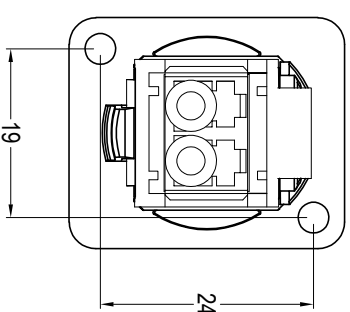
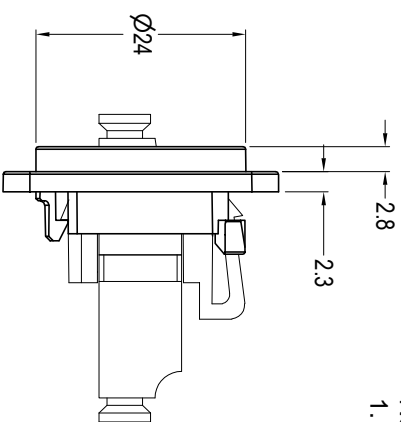


VARIANTS	
PART NO.	HOLE DETAILS
CP30247MB	HOLE Ø3.50 X CSK 82° X Ø5.85
CP30247M3B	M3 HOLES



- Material:
- Coupler Body: PC
 - Sleeve: Ceramic
 - Dust Cover: PE
 - Insert: ABS/PC
 - Frame: Black Nickel plated zinc diecast

- Notes:
- Insertion Loss: $\leq 0.3\text{dB}$



TOLERANCE
 NO DEC. PLACE ±
 1 DEC. PLACE ±
 2 DEC. PLACE ±
 HOLE Ø ±
 ANGLES ±
 UNLESS
 OTHERWISE STATED

DO NOT SCALE

Cliff Electronic Components Ltd.
 76 Holmehope Avenue, Holmehope Industrial Estate,
 Redhill, Surrey, RH1 2PF, England, UK
 Tel: 01737-771375 Fax: 01737-76012 Website: www.cliffuk.co.uk

DIMENSIONS IN MILLIMETERS UNLESS OTHERWISE STATED. WORK TO DIMENSIONS. REMOVE ALL BURRS. IF IN DOUBT ASK.
 MATERIAL: See Notes
 FINISH: See Notes
 DRAWN: D.P.J. APPROVED: D.P.J.

TITLE: FT BLACK METAL LC OM4 DUPLEX SM ADAPTOR (VIOLET)
 DRWG. No. CP30247MB FORM: ADDRWHG

THE CONTENTS OF THIS DOCUMENT MUST NOT BE COPIED OR DISCLOSED TO A 3rd PARTY WITHOUT WRITTEN PERMISSION OF CLIFF UK. © 2021