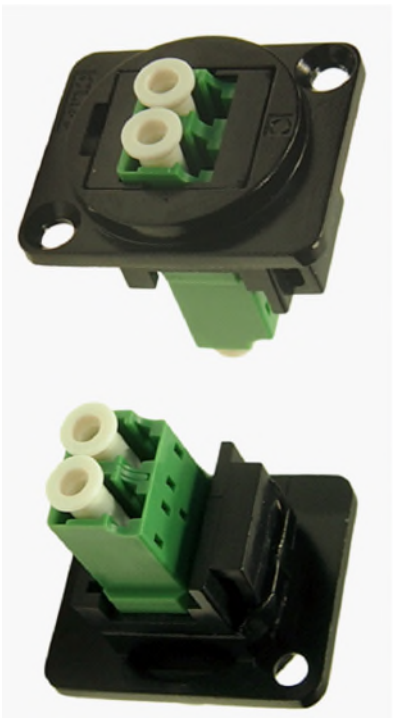
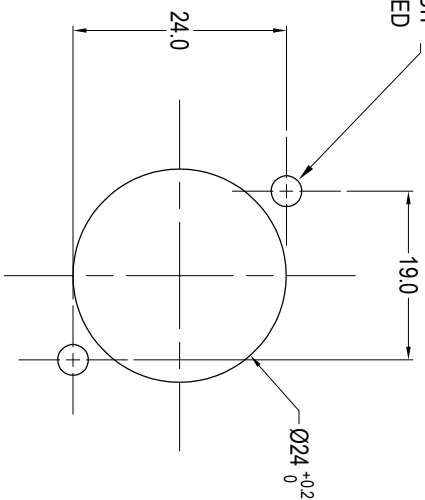
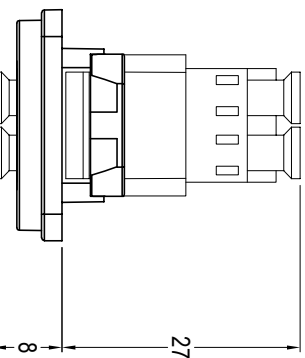


HOLES TO SUIT  
SCREW USED

PANEL CUTOUT  
MAXIMUM PANEL  
THICKNESS 3mm

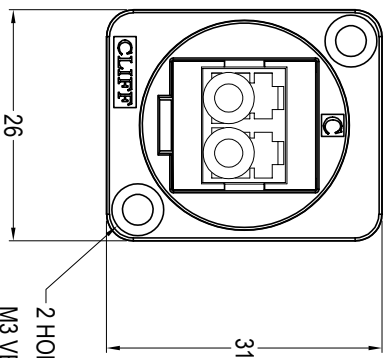
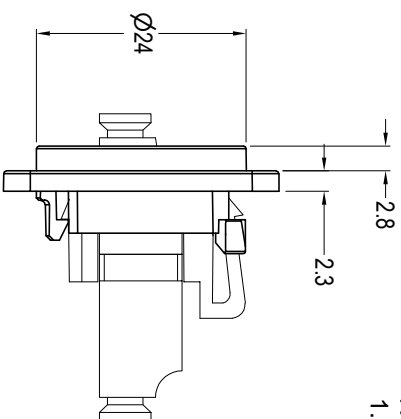


VARIANTS		
PART NO.	HOLE DETAILS	
CP30248MB	HOLE Ø3.50 X CSK 82° X Ø5.85	
CP30248MB3	M3 HOLES	

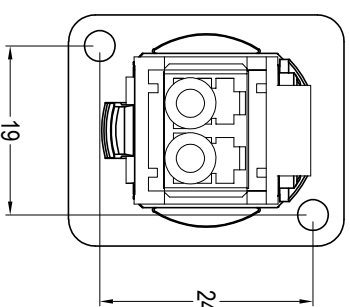


- Material:
1. Coupler Body: PC
  2. Sleeve: Ceramic
  3. Dust Cover: PE
  4. Insert: ABS/PC
  5. Frame: Black Nickel plated zinc diecast

- Notes:
1. Insertion Loss: ≤0.3dB



2 HOLES: Ø3.5mm CSK 82° x Ø5.85  
M3 VERSION HAS M3 THREAD HOLES.



**ROHS**  
**COMPLIANT**

TOLERANCE  
NO DEC. PLACE ±  
1 DEC. PLACE ±  
2 DEC. PLACE ±  
HOLE Ø ±  
ANGLES ±  
UNLESS  
OTHERWISE STATED

DO NOT SCALE

**Cliff Electronic Components Ltd.**

76 Holmechpe Avenue, Holmechpe Industrial Estate,  
Redhill, Surrey, RH1 2PF, England, UK  
Tel: 01737-771375 Fax: 01737-766012 Website: www.cliffuk.co.uk

THE CONTENTS OF THIS DOCUMENT MUST NOT BE COPIED OR DISCLOSED  
TO A 3rd PARTY WITHOUT WRITTEN PERMISSION OF CLIFF UK. © 2021

DIMENSIONS IN MILLIMETERS UNLESS OTHERWISE STATED. WORK TO DIMENSIONS. REMOVE ALL BURRS. IF IN DOUBT ASK 3rd ANGLE PROJECTION:

TITLE: FT BLACK METAL LC APC DUPLEX SM ADAPTOR (GREEN)

FINISH: See Notes

DRAWN: D.P.J.

APPROVED: D.P.J.

DRWG. No.

**CP30248MB**

FORM: ADDRWC-H