

5 4 3 2 1

DRAWING NO.  
32-2098UL -CUST

REVISIONS	
01	OFFICIAL RELEASE
03-20-09	T W T

D

D



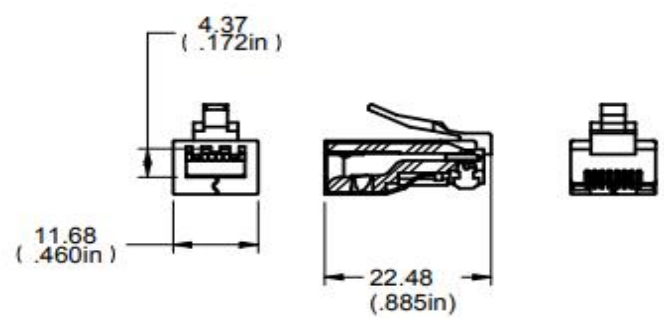
Description: RJ45 MOD PLUG SHIELDED,SOLID,U  
 Part No: 32-2098UL  
 Application: Modular Plug  
 Crimp Tool: N/A  
 Insulation Resistance: 1000 Ohms  
 Frequency Range: N/A  
 Material: Housing Polycarbonate  
           Contact Phosphor bronze Gold plated  
           Insert bar Polycarbonate  
 RoHS Compliance: Yes  
 Technical Detail: N/A

C

C

B

B



A

A

**DIM OUTLINE**

**CUSTOMER COPY**

TOLERANCE UNLESS OTHERWISE SPECIFIED	DRAWN BY <b>TERRY.W</b>	DATE 03-20-09
DECIMALS	CHECKED BY <b>BETTY.YU</b>	DATE 03-20-09
X	APPROVED BY <b>THOMAS</b>	DATE 03-20-09
X.X	U/M	mm
X.XX		
ANGLES		



TITLE  
**RJ45 MOD PLUG SHIELDED,SOLID,U**

THIS DRAWING WAS PRODUCED BY COMPUTER, DO NOT SCALE DRAWING OR UPDATE MANUALLY.		SHEET 1 OF 1	DRAWING NO. 32-2098UL-CUST	SIZE A
---	--	-----------------	-------------------------------	-----------

5 4 3 2 1