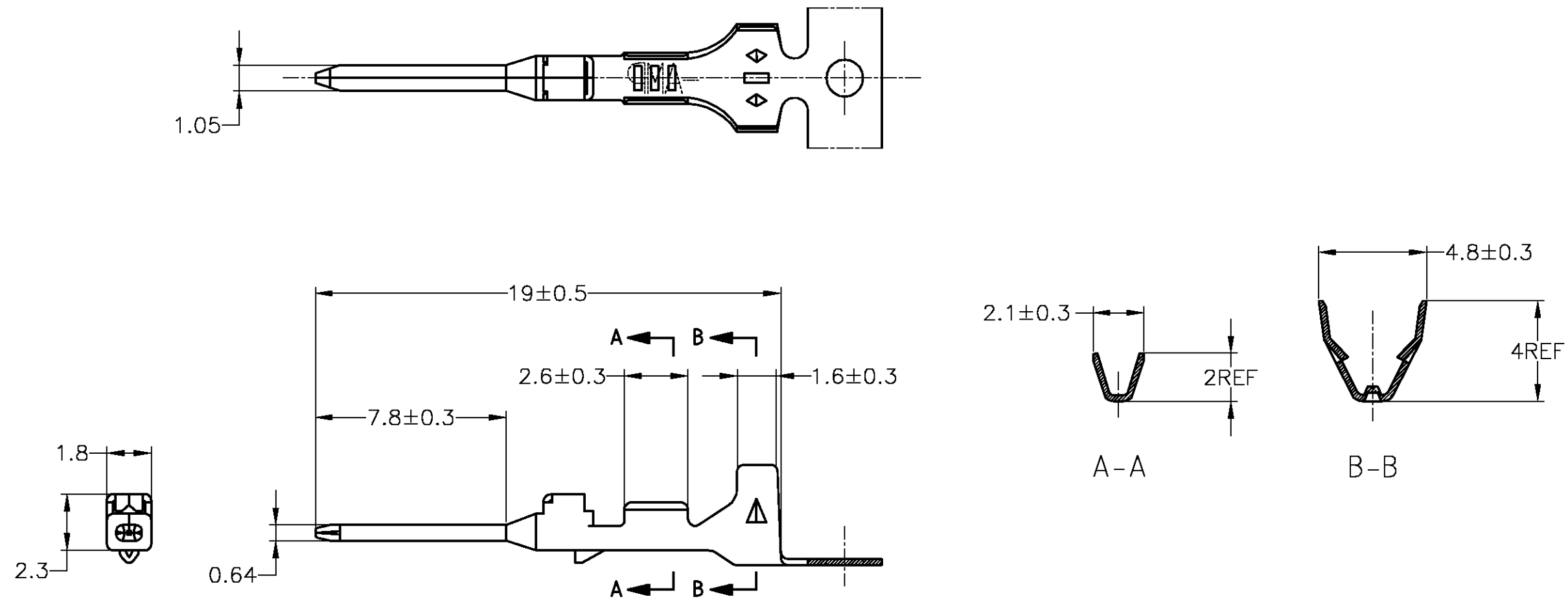


THIS DRAWING IS UNPUBLISHED. RELEASED FOR PUBLICATION
 © COPYRIGHT BY TYCO ELECTRONICS CORPORATION. ALL RIGHTS RESERVED.

| LOC | DIST | REVISIONS | | | | | |
|-----|------|-----------|---------|---------------|---------|-----|------|
| | | P | LTR | DESCRIPTION | DATE | DWN | APVD |
| J | — | C2 | REVISED | ECR-07-000609 | 10JAN07 | MS | KB |

-1: AS SHOWN
 本図



- 1. 相手側端子型番: 173681
- 2. パワ状端子型番: 175063

- 1. MATING RECEPTACLE NUMBER; 173681
- 2. LOOSE PIECE NUMBER: 175063

TOLERANCE UNLESS OTHERWISE SPECIFIED: 一般公差

| | |
|--------------|---------|
| 0 < x ≤ 10 | : ±0.2 |
| 10 < x ≤ 30 | : ±0.25 |
| 30 < x ≤ 100 | : ±0.3 |
| ANGLE ; 角度 | : ±3° |

| | | | | |
|---|--|--|--|--------------------|
| THIS DRAWING IS A CONTROLLED DOCUMENT. | | DWN M.SUGAWARA 10JAN07 | Tyco Electronics AMP K.K. Kawasaki, Japan | |
| DIMENSIONS: 単位: 概 mm | | CHK K.BETSUI 10JAN07 | NAME 名称 | |
| TOLERANCES UNLESS OTHERWISE SPECIFIED: 一般公差 | | APVD K.BETSUI 10JAN07 | 040 SERIES TAB CONTACT | |
| 0 PLC ±- 1 PLC ±- 2 PLC ±- 3 PLC ±- 4 PLC ±- ANGLES ±- | | PRODUCT SPEC 製品規格 | SIZE A3 | CAGE CODE 00779 |
| MATERIAL 材料 BRASS THICKNESS 黄銅、板厚: 0.25 | | APPLICATION SPEC 取付適用規格 114-5108 | DRAWING NO 番号 C-173682 | RESTRICTED TO — |
| FINISH 仕上 PRE-TINNED 錫めっき済 | | WEIGHT 0.22g | SCALE 尺度 5:1 | |
| CUSTOMER DRAWING | | SHEET 1 OF 1 | | REV C2 |