

4

3

2

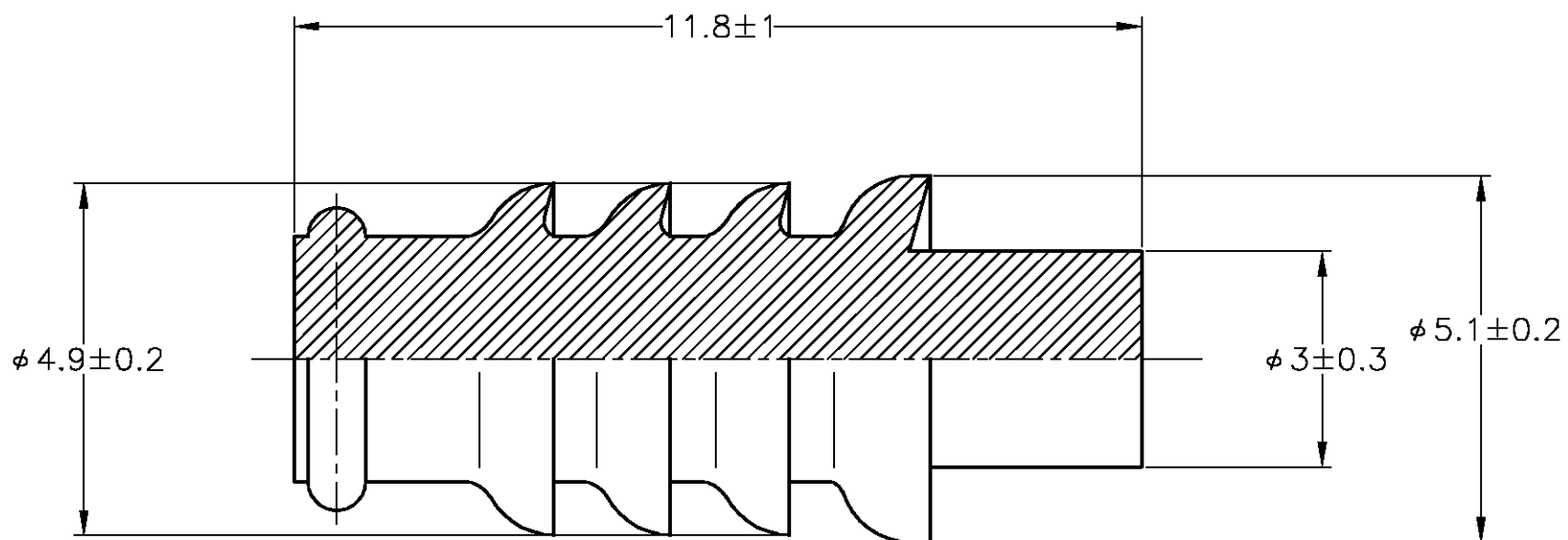
1

THIS DRAWING IS UNPUBLISHED.

RELEASED FOR PUBLICATION

© COPYRIGHT BY TYCO ELECTRONICS CORPORATION. ALL RIGHTS RESERVED.

LOC J	DIST —	REVISIONS 変更					
		P	LTR	DESCRIPTION	DATE	DWN	APVD
		B1	REVISED	ECR-06-001254	11MAY06	TS	KB



SEE DRAWING 172748-4	172748-4
SEE DRAWING 172748-3	172748-3
GRAY	172748-2
BLACK	172748-1
COLOR	PART NUMBER

THIS DRAWING IS A CONTROLLED DOCUMENT.		DWN T.SHINOHARA 11MAY06	Tyco Electronics AMP K.K. Kawasaki, Japan	
DIMENSIONS: 単位: 特 mm		CHK K.BETSUI 11MAY06	NAME 名称	
		APVD K.BETSUI 11MAY06	070 CAVITY PLUG	
TOLERANCES UNLESS OTHERWISE SPECIFIED: 一般公差		PRODUCT SPEC 製品規格	RESTRICTED TO	
0 PLC ± - 1 PLC ± - 2 PLC ± - 3 PLC ± - 4 PLC ± - ANGLES ± -		APPLICATION SPEC 取付適用規格	SIZE A3	CAGE CODE 00779
MATERIAL 材料 NBR		FINISH 仕上	DRAWING NO 番号 C-172748	SCALE 尺度 10:1
		WEIGHT -	SHEET 1 OF 1	
		CUSTOMER DRAWING		REV B1