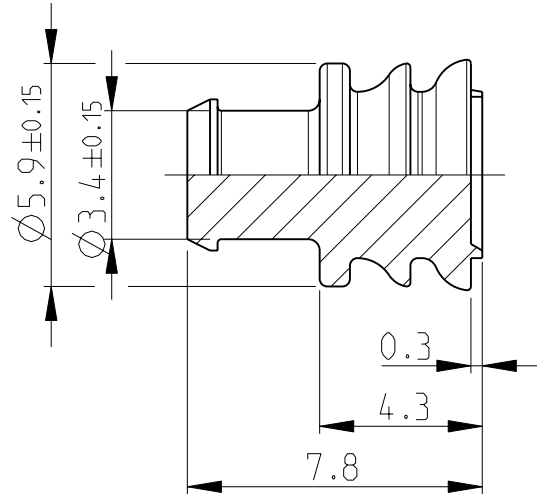
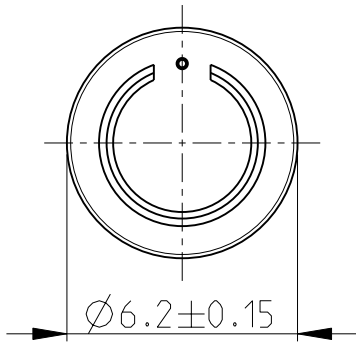


LOC	DIST	REVISIONS				
P	LTR	DESCRIPTION	DATE	DWN	APVD	
A1	-					
	L5	DIM 6.2±0.15 WAS 6.3±0.15	13JAN1998	PG	DK	
	L6	828922-2 COMPLETED	02APR1998	AL	LW	
	L7	DRAWING UPDATED	05MAR2009	Haas	Goep.	



1:1

Keine Lufteinschlüsse zulaessig
NO AIR BUBBLES PERMITTED

828922-2	A	GREEN	SILICON MVQ 50
828922-1	L	NATURAL	SILICON MVQ 50
PART NO.	REV.	COLOUR	MATERIAL

2009

RELEASED FOR PUBLICATION

THIS DRAWING IS UNPUBLISHED.

BY TYCO ELECTRONICS CORPORATION. ALL RIGHTS RESERVED.

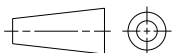


DIMENSIONS:

mm

TOLERANCES UNLESS
OTHERWISE SPECIFIED:
DIN 16901-160

0 PLC	±
1 PLC	±
2 PLC	±
3 PLC	±
4 PLC	±
ANGLES	±°



DWN Gaupp, P.	17APR1997
CHK Kuempel, D.	21APR1997
APVD -	-
PRODUCT SPEC 108-18263-1	
APPLICATION SPEC -	
WEIGHT -	

MATERIAL	SEE TABLE	FINISH	-
Tyco Electronics AMP GmbH 64625 Bensheim (Germany)			
NAME CAVITY PLUG DIA. 2,5mm SYSTEM DIA. 5.4mm CAVITY			
SIZE	CAGE CODE	DRAWING NO	RESTRICTED TO
A 4	00779	©-828922	-

CUSTOMER DRAWING	SCALE	5:1	SHEET	1	OF	1	REV	L7
------------------	-------	-----	-------	---	----	---	-----	----