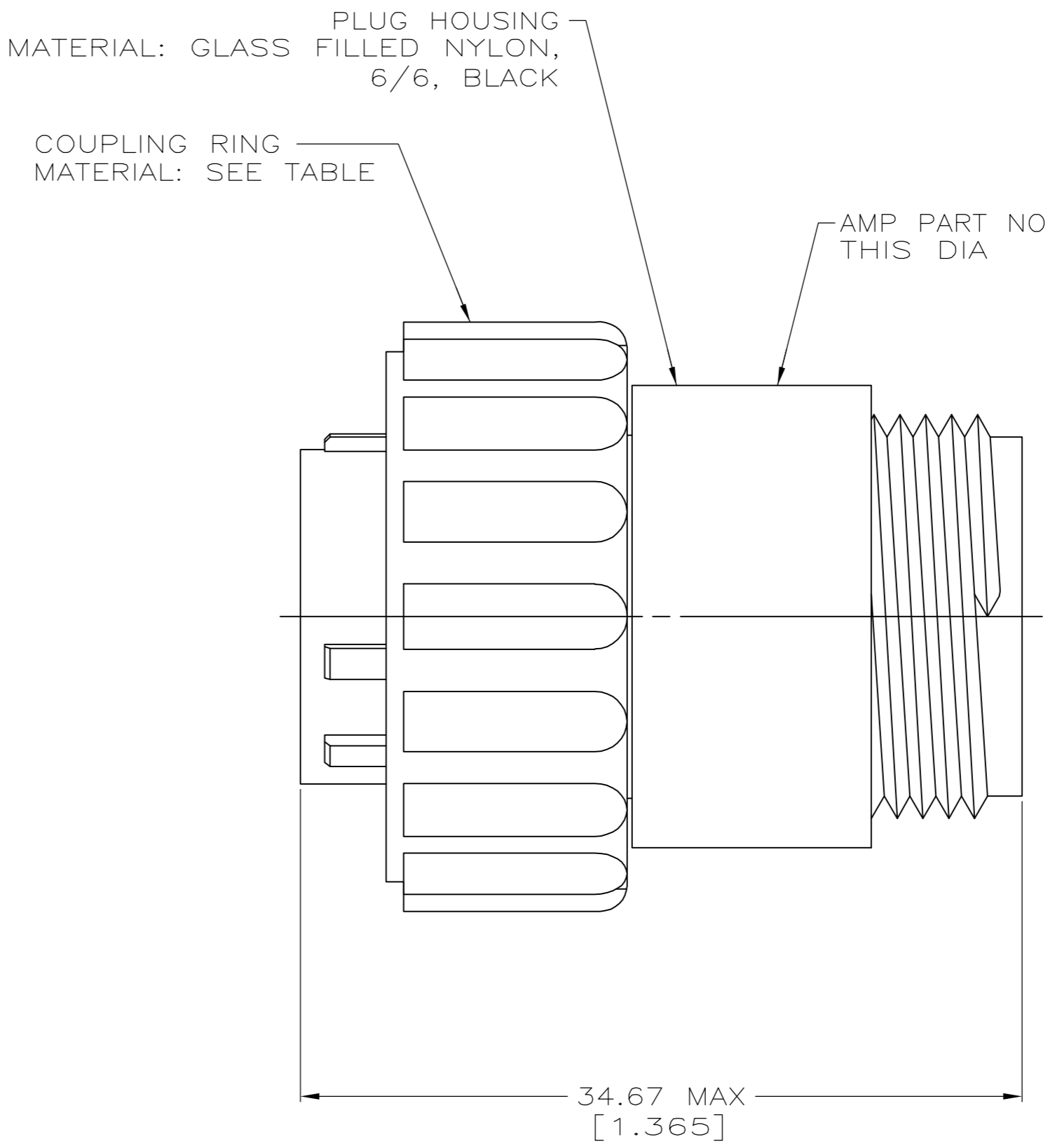
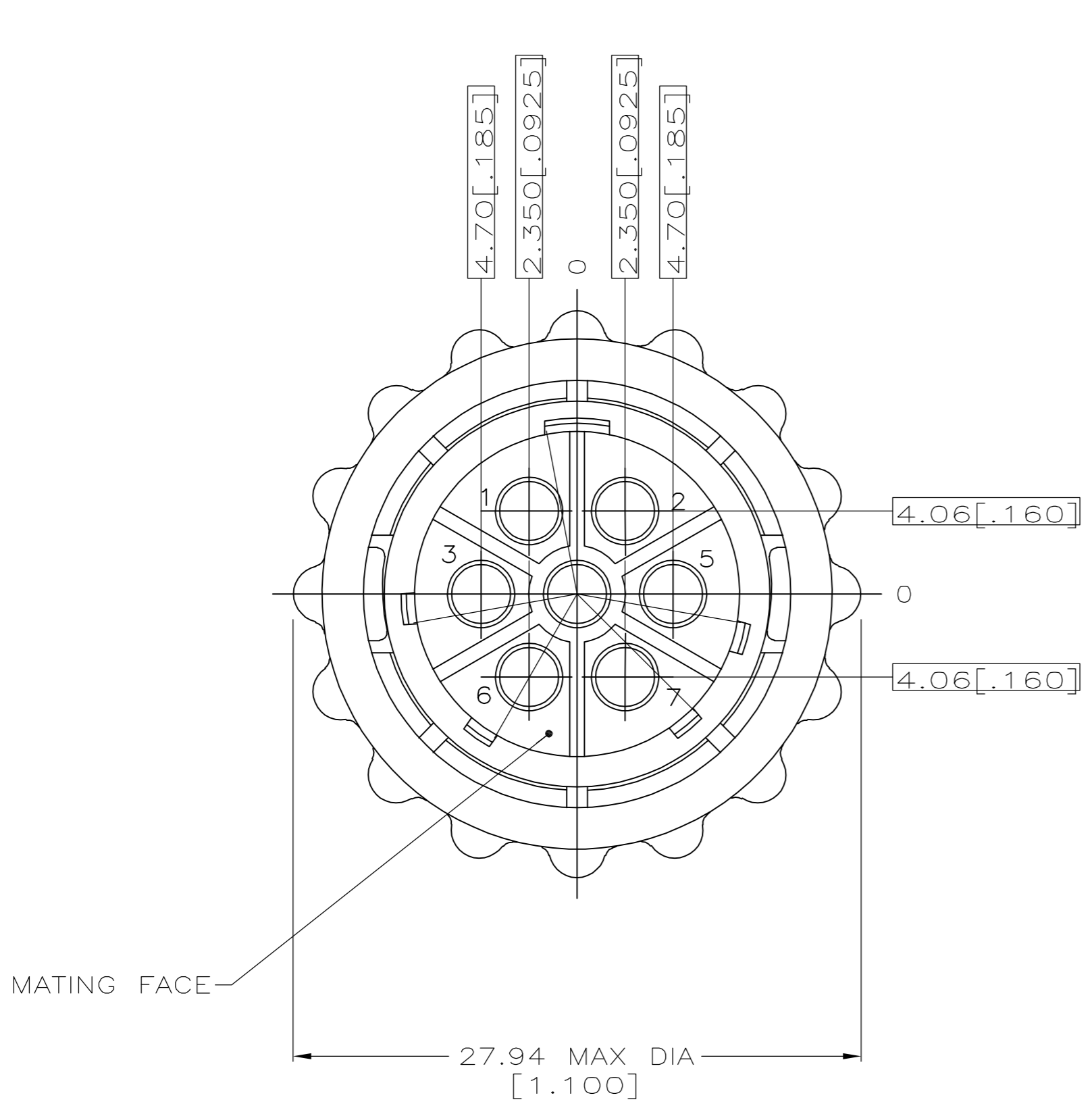


THIS DRAWING IS UNPUBLISHED. RELEASED FOR PUBLICATION
 © COPYRIGHT BY TYCO ELECTRONICS CORPORATION. ALL RIGHTS RESERVED.

LOC		DIST		REVISIONS			
P	LTR	DESCRIPTION	DATE	DWN	APVD		
FT	0						
	D1	REVISED PER ECO-05-675	8/30/05	SS	SH		



- CONTACT CAVITIES IDENTIFIED BY CHARACTERS ON FRONT AND REAR FACES OF CONNECTOR.
- WILL ACCEPT SEVEN (7) MULTIMATE PIN CONTACTS.

DIE CAST ZINC	211400-2
POLYESTER, BLACK	211400-1
COUPLING RING MATERIAL	PART NUMBER

THIS DRAWING IS A CONTROLLED DOCUMENT.		DWN	07-01-94	D.HARDY	
DIMENSIONS: INCHES		CHK	08-10-94	R.STONE	
TOLERANCES UNLESS OTHERWISE SPECIFIED:		APVD	-	NAME	
0 PLC	± -	PRODUCT SPEC	-	VDE PLUG ASSEMBLY, REVERSE SEX, 13-7, CPC	
1 PLC	± -	APPLICATION SPEC	-	SIZE	CAGE CODE
2 PLC	± -	WEIGHT	-	A2	00779
3 PLC	± -	CUSTOMER DRAWING	-	DRAWING NO	C=211400
4 PLC	± -	SCALE	4:1	SHEET	1 OF 1
ANGLES	± -	RESTRICTED TO	-	REV	D1
FINISH	-				

211400