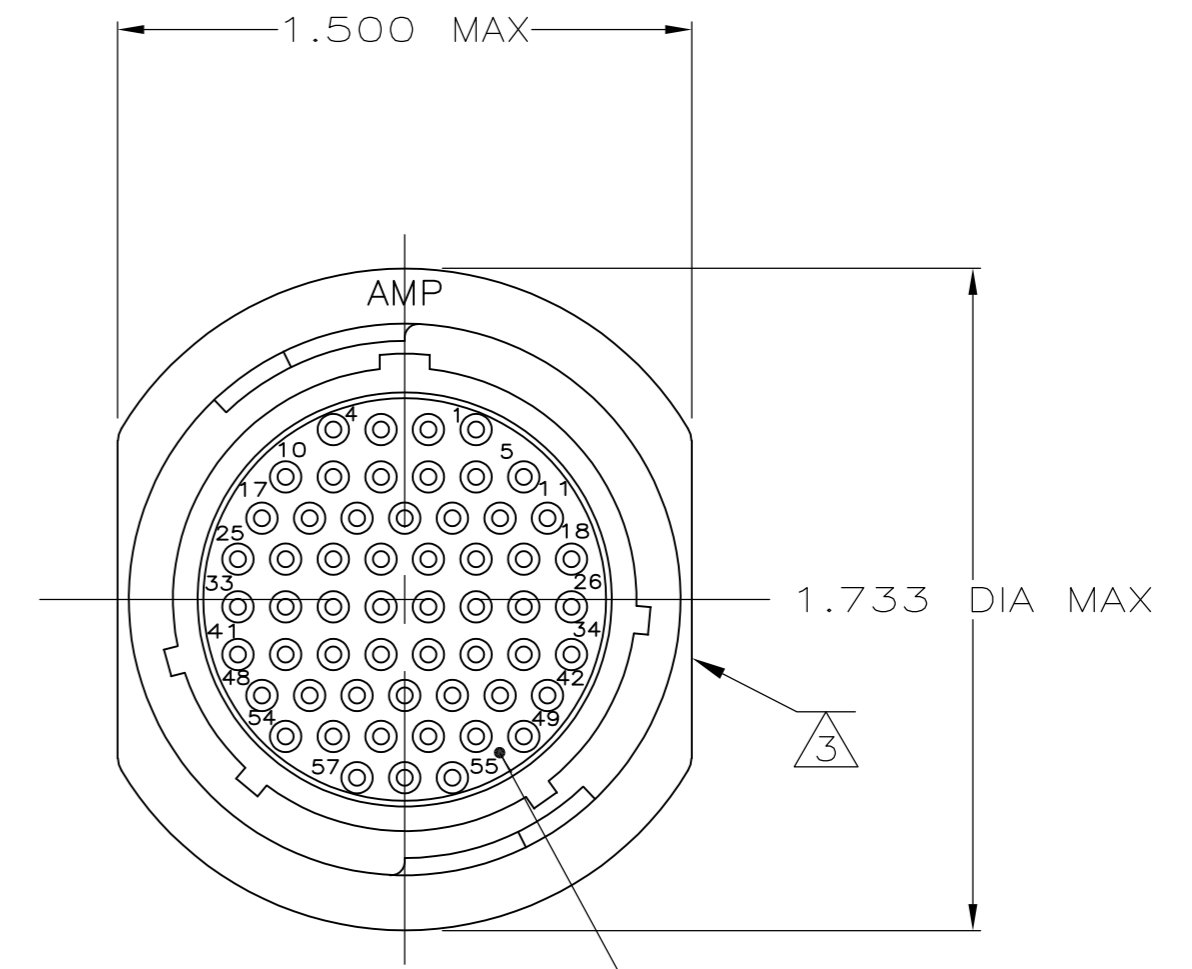
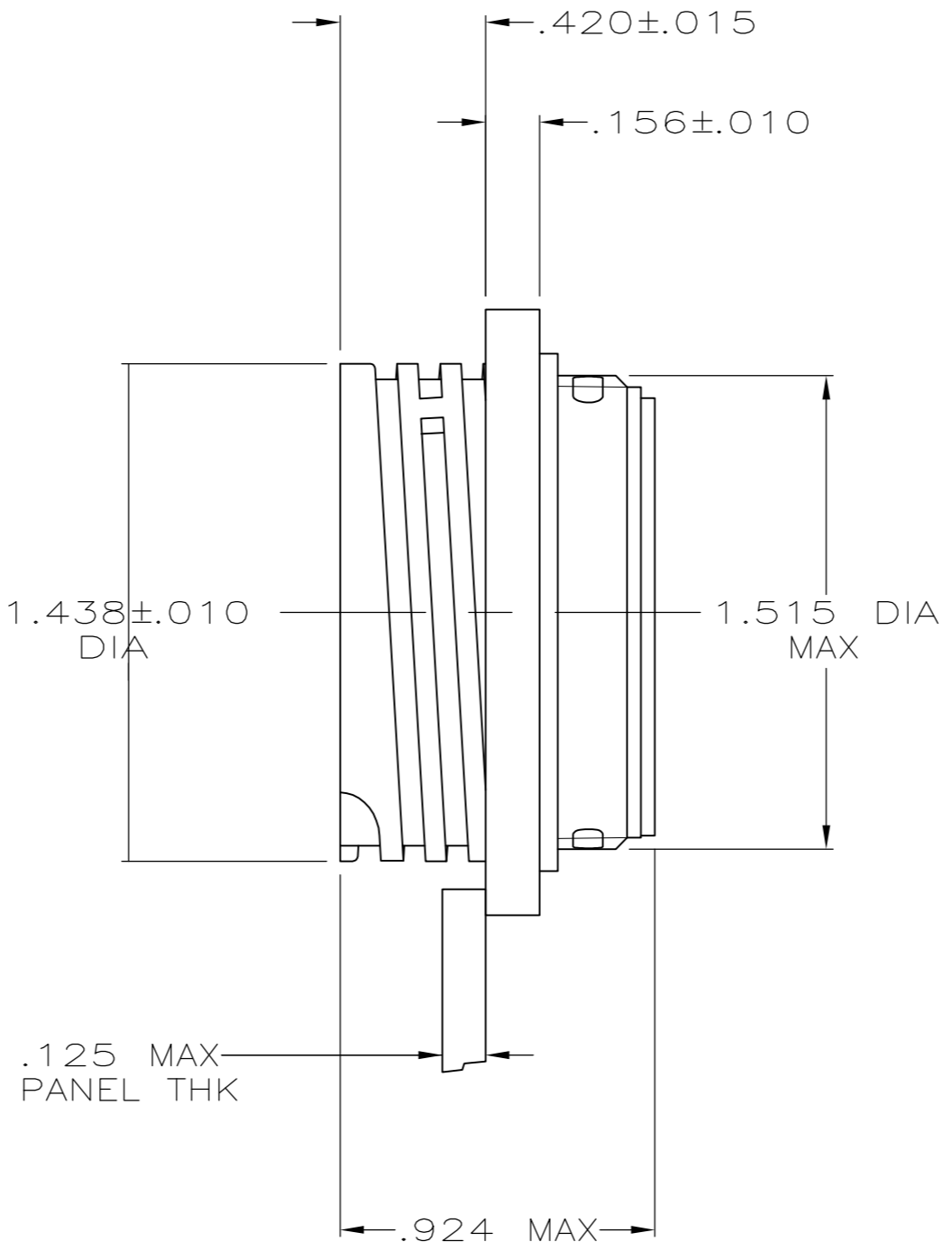
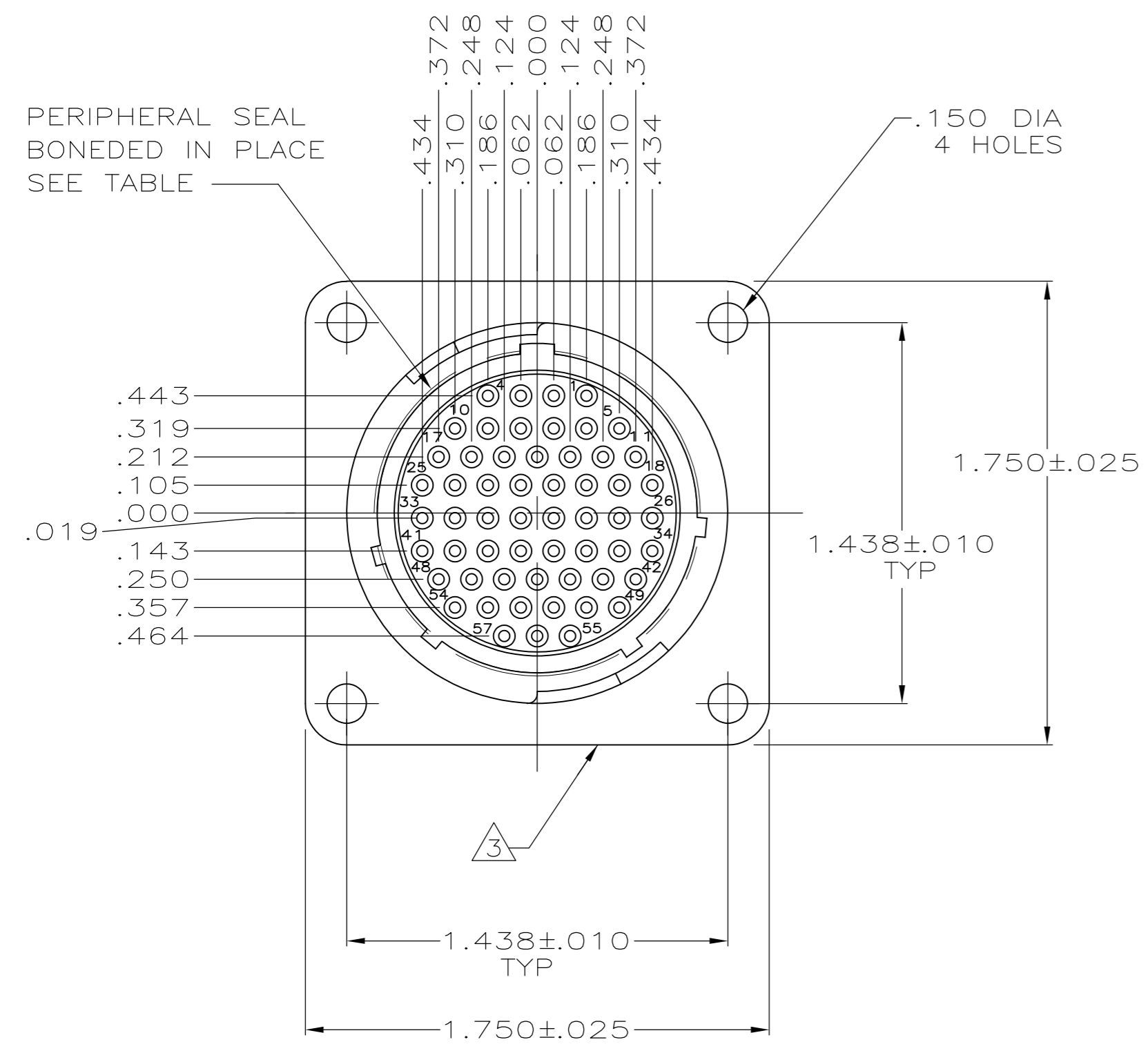
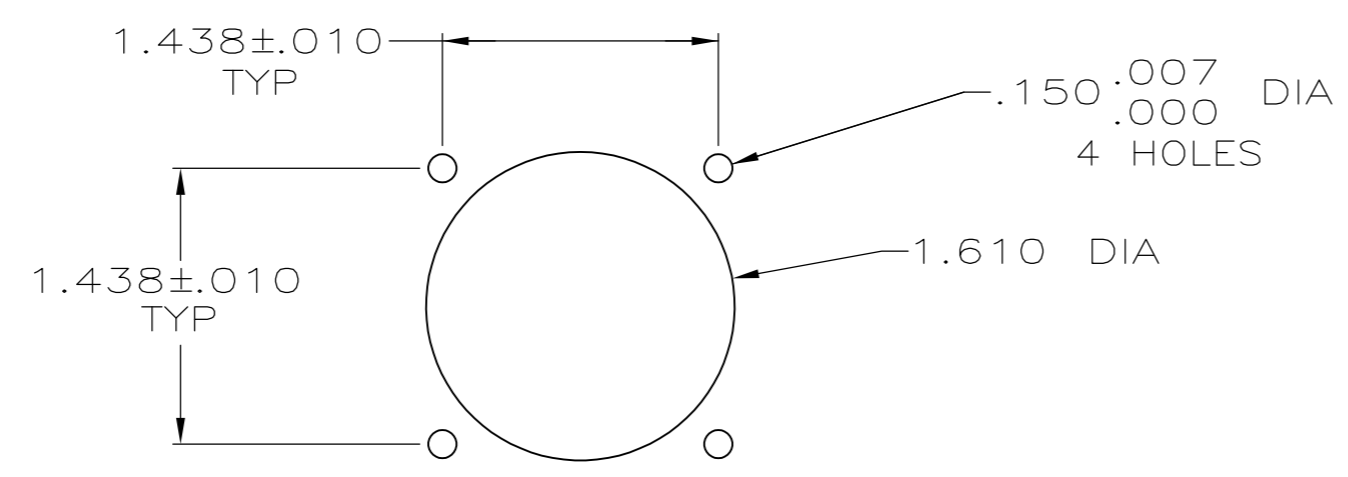


THIS DRAWING IS UNPUBLISHED. RELEASED FOR PUBLICATION
 © COPYRIGHT BY TYCO ELECTRONICS CORPORATION. ALL RIGHTS RESERVED.

LOC	DIST	REVISIONS					
FT	0	P	LTR	DESCRIPTION	DATE	DWN	APVD
		K		REVISE PER 0G3B-0582-03	7/29/03	SS	SH
		K1		REVISED PER ECO-09-020935	10SEP09	KK	AEG



FREE HANGING
(-2 ONLY)



PANEL CUTOUT
SCALE 1:1

NOTES:

- CONTACT CAVITIES IDENTIFIED BY CHARACTERS ON FRONT AND REAR FACES OF CONNECTOR.
- WILL ACCEPT (57) SIZE 20 SOCKET CONTACTS.
- PART NUMBER THIS AREA.
- #4 FASTENER RECOMMENDED FOR MOUNTING.
- OBSOLETE PARTS: OBSOLETE CIS STREAMLINING PER D.RENAUD/D.SINISI

	OBSOLETE	YES	206438-3
		NO	206438-2
		NO	206438-1
	PERIPHERAL SEAL	PART NUMBER	

THIS DRAWING IS A CONTROLLED DOCUMENT.		DWN A.STAUB BG 4/3/91	Tyco Electronics Corporation Harrisburg, PA 17105	
DIMENSIONS: INCHES		CHK W.G.LENKER 7-27-92	NAME	
TOLERANCES UNLESS OTHERWISE SPECIFIED:		APVD -	PRODUCT SPEC	
0 PLC ± -			108-10024	
1 PLC ± -			APPLICATION SPEC	
2 PLC ± -			-	
3 PLC ± .005			SIZE A2	CAGE CODE 00779
4 PLC ± -			DRAWING NO C=206438	RESTRICTED TO -
ANGLES ± -			SCALE 2:1	SHEET 1 OF 1
MATERIAL THERMOPLASTIC, FINISH -		WEIGHT -	REV K1	
CUSTOMER DRAWING				