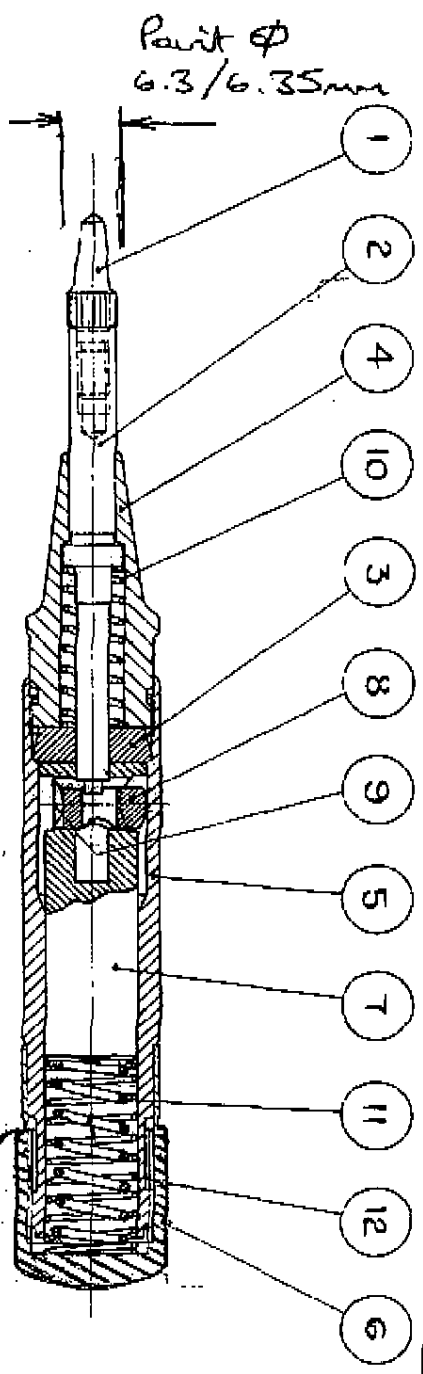


**UNCONTROLLED
DESTROY AFTER USE**

Ø71 Pt Ø 4.05mm
-0.03

P.No: 172/00



A PEEK OPERATING MECHANISM
P. NO. 14130 - 50105

ITEM	PART	P.No.	ITEM	PART	P.No.
1	POINT	172/01	7	HAMMER	172/07
2	POINT HOLDER	172/02	8	TRIP	172/08
3	BUSH	172/03	9	TRIP SPRING	172/09
4	NOSE	172/04	10	RETURN SPRING	172/10
5	BODY	172/05	11	HEAVY HAMMER SPRING	172/11
6	END CAP	172/15	12	LIGHT HAMMER SPRING	172/12

MATERIAL:- WEIGHT PER 100 (INCL. 10%) SCALES:- DRAWN R.G. **MOORE & WRIGHT (SHEFFIELD) LTD**
SHEFFIELD, ENGLAND.

1:1

REV. BY R.G. DATE 2.4.65	REV. BY A.L.J. DATE 29.3.72	REV. BY AS DATE 29/1/02	REV. BY DATE	REV. BY DATE	REV. BY DATE
POINT HOLDER DESIGNED.	CAT. NO. 172 WAS	172/15 WAS	172/15 WAS	172/15 WAS	172/15 WAS
	CAT. NO. 282	CAT. NO. 282	CAT. NO. 282	CAT. NO. 282	CAT. NO. 282

CAT. No. 172
ASSEMBLY
P.No: 172/00