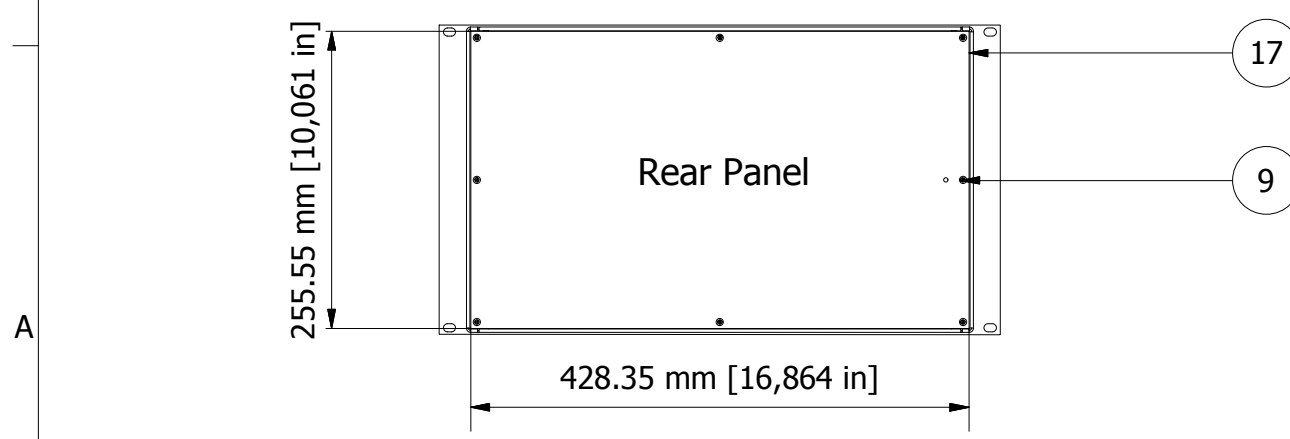
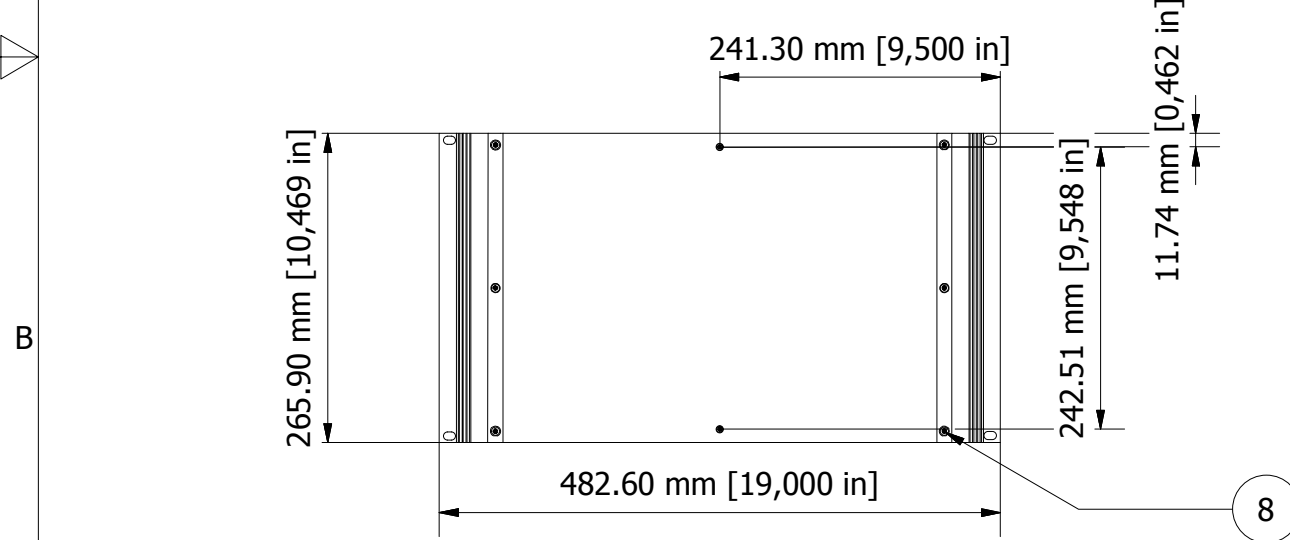


NOTES.

Case metalwork is made from 1.5 mm aluminium and painted RAL 9005 fine texture black.
 Front panel is made from 3 mm aluminium with a clear etch & anodise finish.
 Handles are made from an aluminium extrusion & also painted RAL 9005 fine texture black.
 All parts are fitted with M4 studs for earth use.



PARTS LIST			
ITEM	QTY	PART NUMBER	DESCRIPTION
3	2	M6203069	Top/Base Cover
7	12	M3x8 CSK Screw (B)	Cover Screws
8	6	M4x16 CSK Screw (B)	Front Panel Screws
9	8	M3x8 Pan Screw (B)	Rear Panel Screws
15	2	M6200609	Handles
16	1	M6219060	Front Panel
17	1	M6201069	Rear Panel
18	2	M6202639	Side Panels
19	2	M3x8 CSK Screw	Front Panel Screws

FIRST ANGLE PROJECTION

Designed by L Clark	Description Combimet 6U x 19" x 365 mm Vented	Date 14/10/2013	Scale 1:6.5
------------------------	--------------------------------------------------	--------------------	----------------

METCASE ENCLOSURES
 15 Brunel Way, Segensworth East, Fareham,
 Hampshire, PO15 5TX, UK.
 Tel: +44 (0)1489 583858 Email: metcase@okw.co.uk

METcase™ www.metcase.com

Part Number M6219669	Issue 1	Sheet 1 / 1
-------------------------	------------	----------------

© OKW Enclosures Ltd (Date as shown). This drawing contains proprietary information of OKW Enclosures Ltd and is tendered subject to the following conditions. The information be retained in confidence, not be reproduced or copied, and not be used or incorporated in any product, unless permission is obtained in writing from OKW Enclosures Ltd.