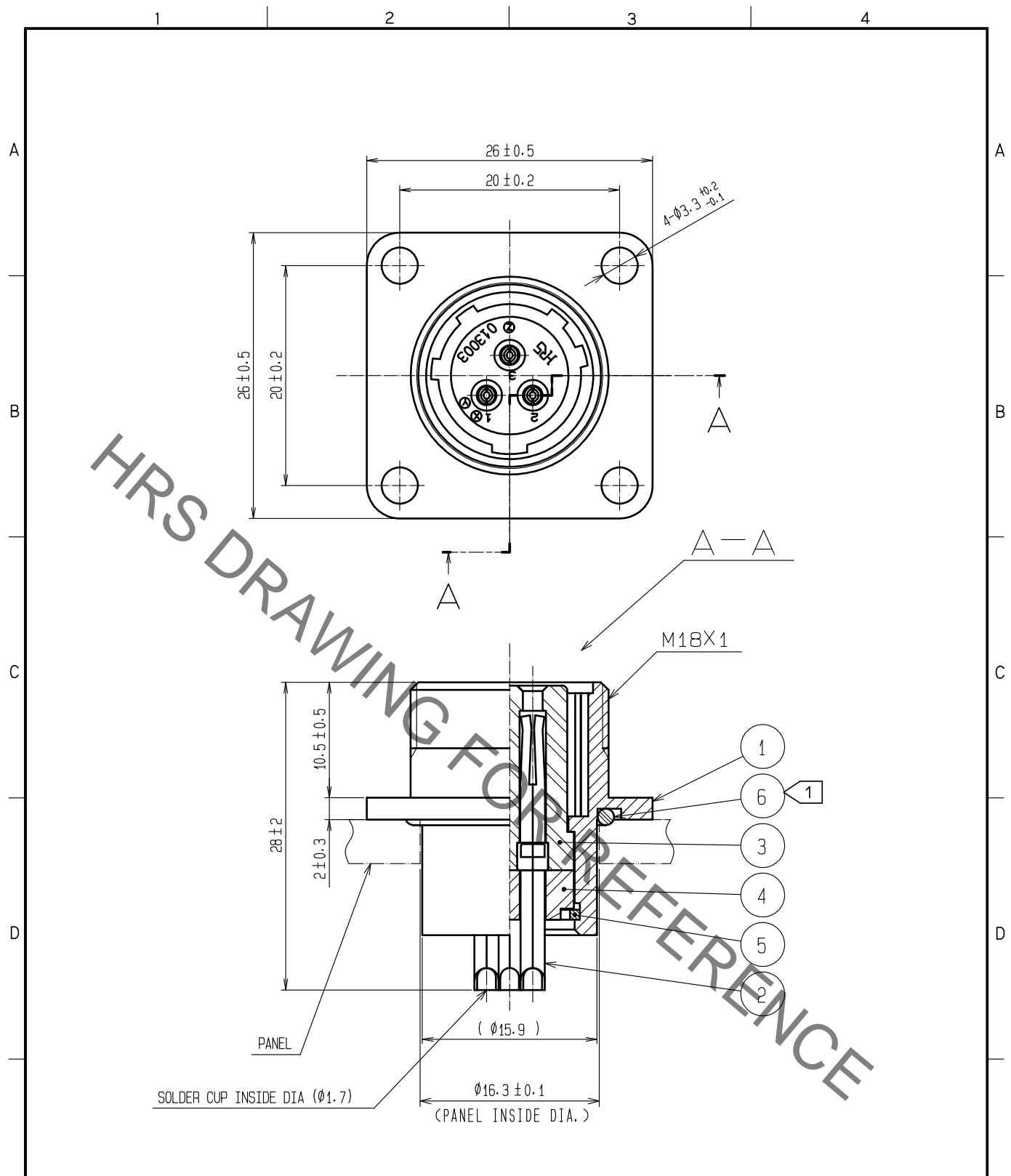


Jan.1.2022 Copyright 2022 HIROSE ELECTRIC CO., LTD. All Rights Reserved.
In case of consideration for using Automotive equipment / device which demand high reliability, kindly contact our sales window correspondents.



NOTE ① WHEN MOUNTED ON CHASSIS, BE CAREFUL THAT REFERENCE NO. ⑥ IS FITTED INTO THE INDICATED GROOVE WITHOUT ANY BITING.

| 3 | PHENOL-FORMALDEHYDE | (BLACK) | UL94V-0 | 6 | ACRYLONITRILE BUTADIENE RUBBER | (BLACK) |
|-----|---------------------|-------------------------|---------|-----|--------------------------------|------------------|
| 2 | COPPER ALLOY | SILVER PLATING 2μm min. | | 5 | PHOSPHOR BRONZE | NICKEL PLATING |
| 1 | ALMINUM ALLOY | BLACK CHROME PLATING | | 4 | PHENOL-FORMALDEHYDE | (BLACK) UL94V-0 |
| NO. | MATERIAL | FINISH | REMARKS | NO. | MATERIAL | FINISH . REMARKS |

| | | | | | | | |
|---------------------------|--|----------------|-----------|---|--|---------|------|
| UNITS mm | | SCALE 2 : 1 | COUNT | DESCRIPTION OF REVISIONS | DESIGNED | CHECKED | DATE |
| HIROSE ELECTRIC CO., LTD. | | | | APPROVED :HY. KOBAYASHI 18. 02. 26 CHECKED :HY. KOBAYASHI 18. 02. 26 DESIGNED :TH. KAMEYA 18. 02. 23 DRAWN :MK. INOUE 18. 02. 23 | DRAWING NO. EDC-110457-31-00 PART NO. JR13WR-3S(31) CODE NO. CL114-2034-4-31 | | |

Mouser Electronics

Authorized Distributor

Click to View Pricing, Inventory, Delivery & Lifecycle Information:

[Hirose Electric:](#)

[JR13WR-3S\(31\)](#)