

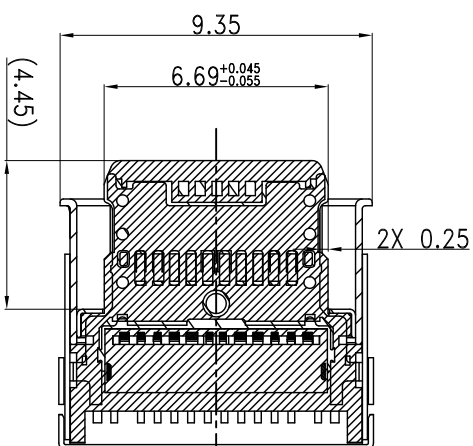
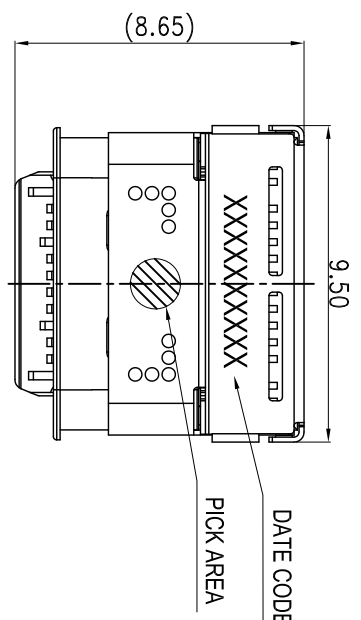
This document is the property of Amphenol Corporation and is delivered on the express condition that it is not to be disclosed, reproduced or used, in whole or in part, for manufacture or sale by anyone other than Amphenol Corporation without its prior consent, & that no right is granted to disclose or to use any information in this document.

# CUSTOMER DRAWING

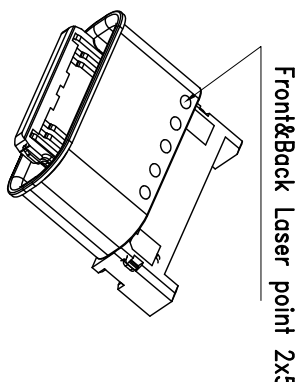
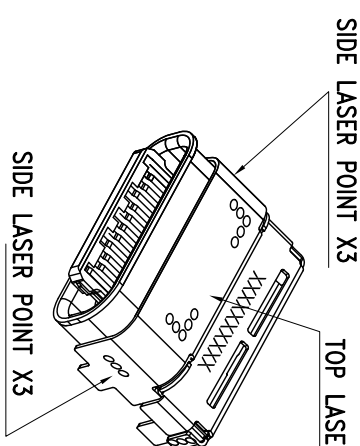
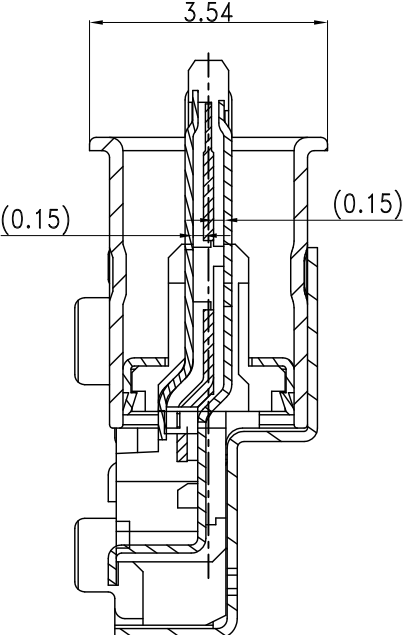
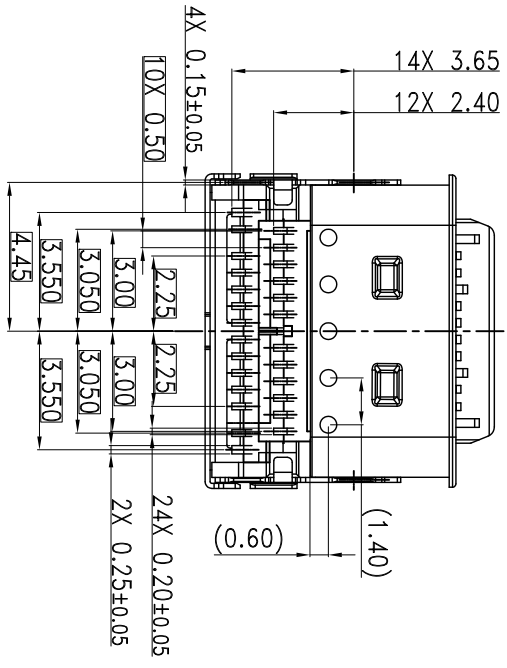
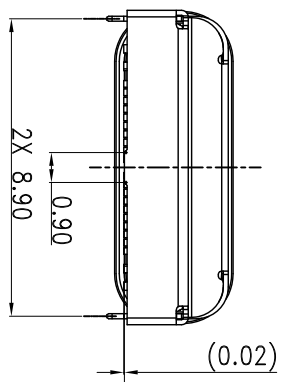
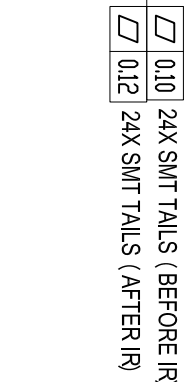
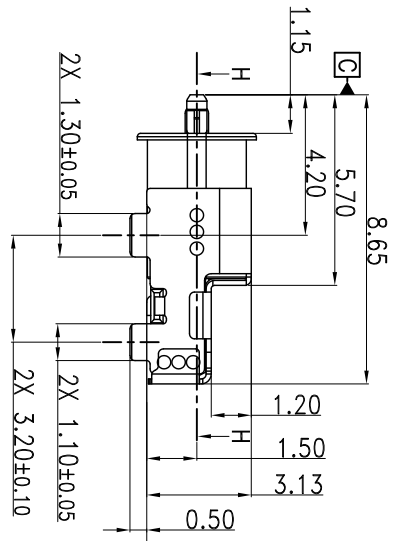
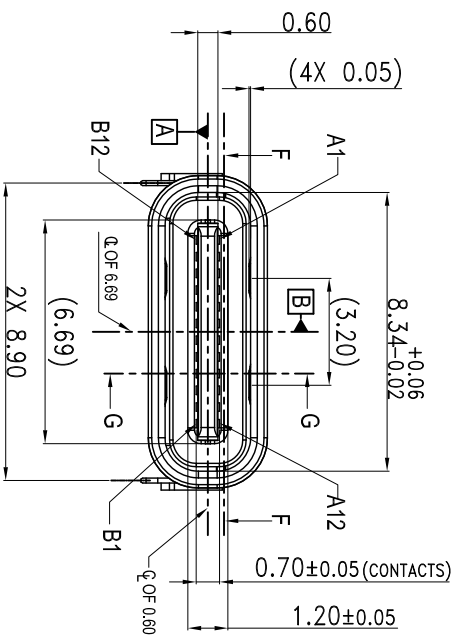


## REVISIONS

SYM	EON	DESCRIPTION	DATE	APPROVED
1	HKXXXX	NEW RELEASE	2020/06/17	IP



Pin No	Signal Name	Mating Sequence	Pin No	Signal Name	Mating Sequence
A1	GND	First	B12	GND	First
A2	TX1+	Second	B11	RX1+	Second
A3	TX1-	Second	B10	RX1-	Second
A4	Vbus	First	B9	Vbus	First
A5	CC1	Second	B8	SBU2	Second
A6	D+	Second	B7	D-	Second
A7	D-	Second	B6	D+	Second
A8	SBU1	Second	B5	CC2	Second
A9	Vbus	First	B4	Vbus	First
A10	RX2-	Second	B3	TX2-	Second
A11	RX2+	Second	B2	TX2+	Second
A12	GND	First	B1	GND	First
	SHELL	GND		SHELL	GND



UNLESS OTHERWISE SPECIFIED		TOLERANCES		APPROVAL		DATE	
X	U.S.	±0.50	METRIC	DRAWN	AlecLi	06/17/20	06/17/20
XX	U.S.	±0.15	METRIC	CHECKED	Michael.qin	06/17/20	06/17/20
XXX	U.S.	±0.10	METRIC				
ANGLES		3°					

FOR MATERIALS AND FINISHES SEE NOTES REMOVE SHARP EDGES		DRAWING FILE :		TITLE		SIZE	
U/S	DIMENSIONS	R:\00\Engineering\data\RD\1\崔敬东\客户图		Amphenol East Asia Limited		A3	
(METRIC)	(MM)			Customer Drawing For		C 12401937	
				USB 3.1 GEN1, Type C socket connector, R/A top mount, Double SMT type, CH=1.50mm		SCALE NONE SHEET 1 OF 2	
						REV. 1	

A B C D

4

3

2

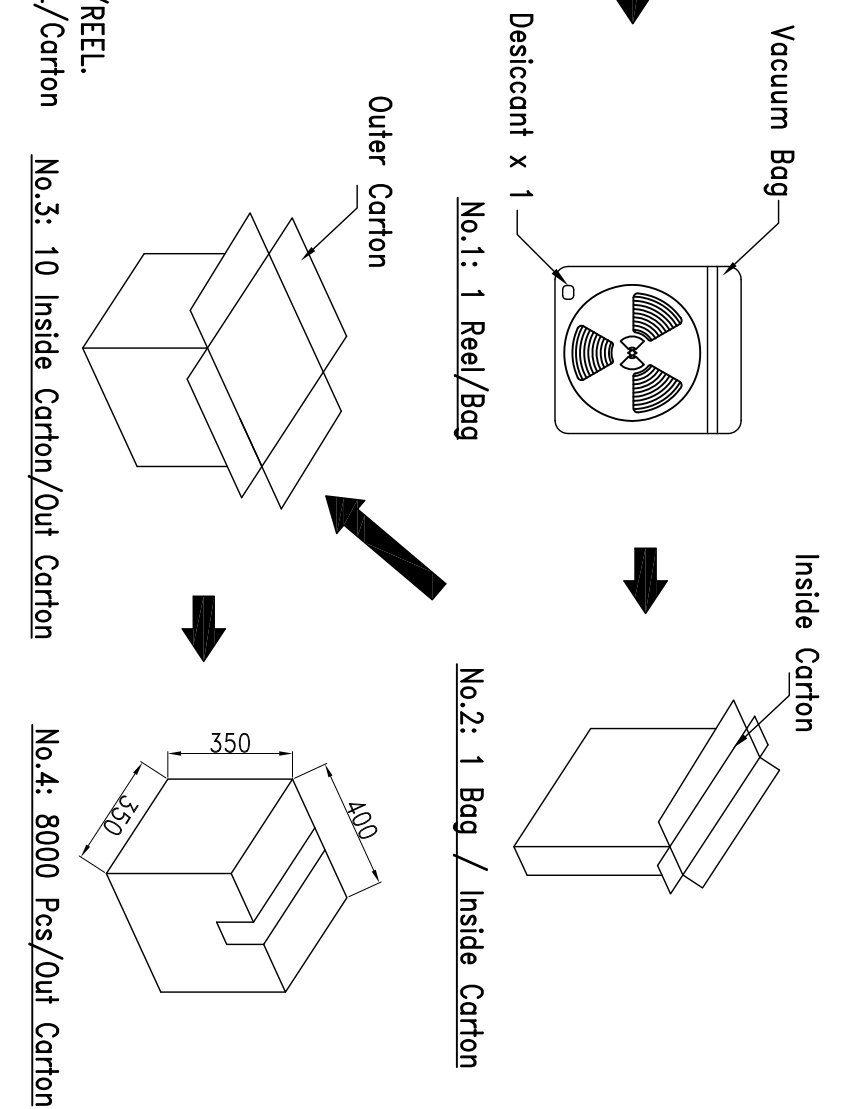
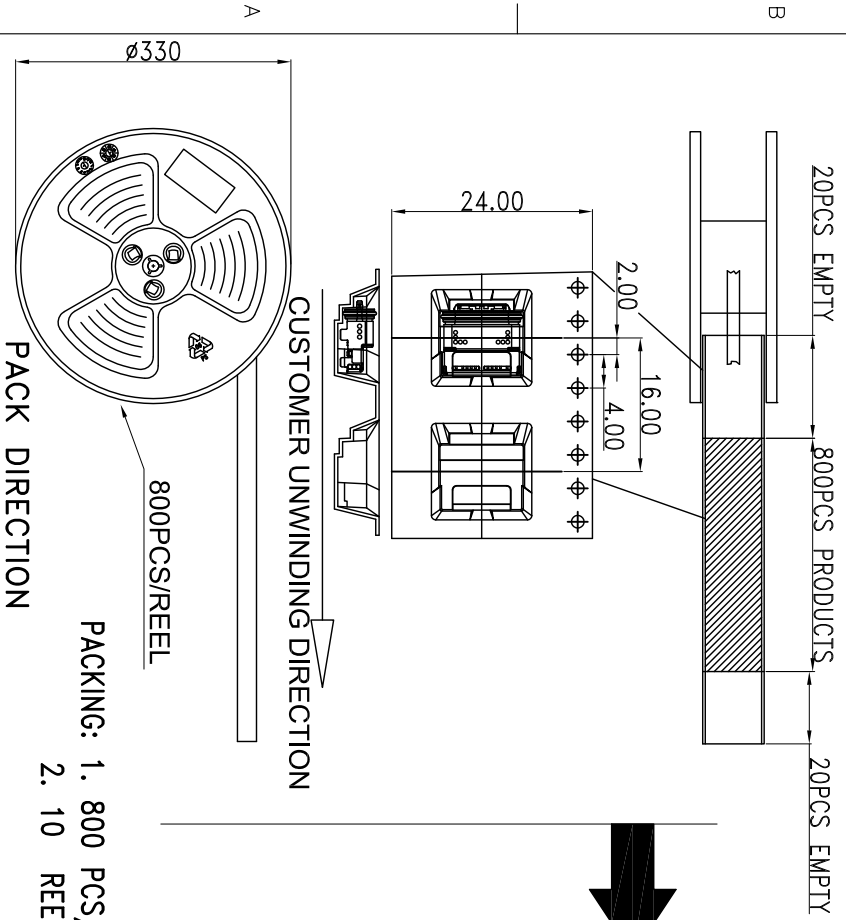
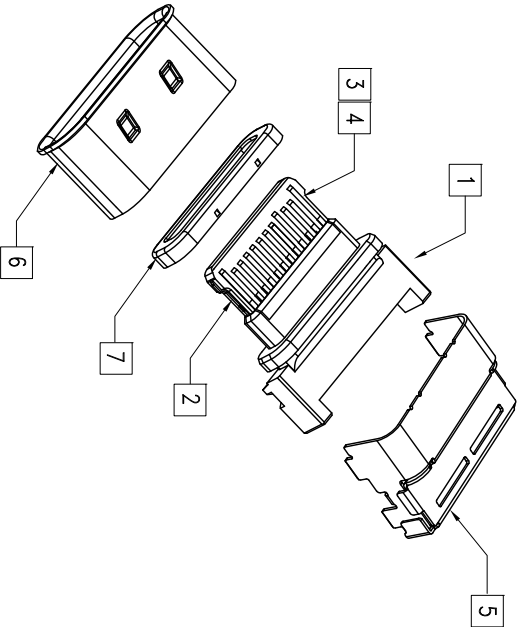
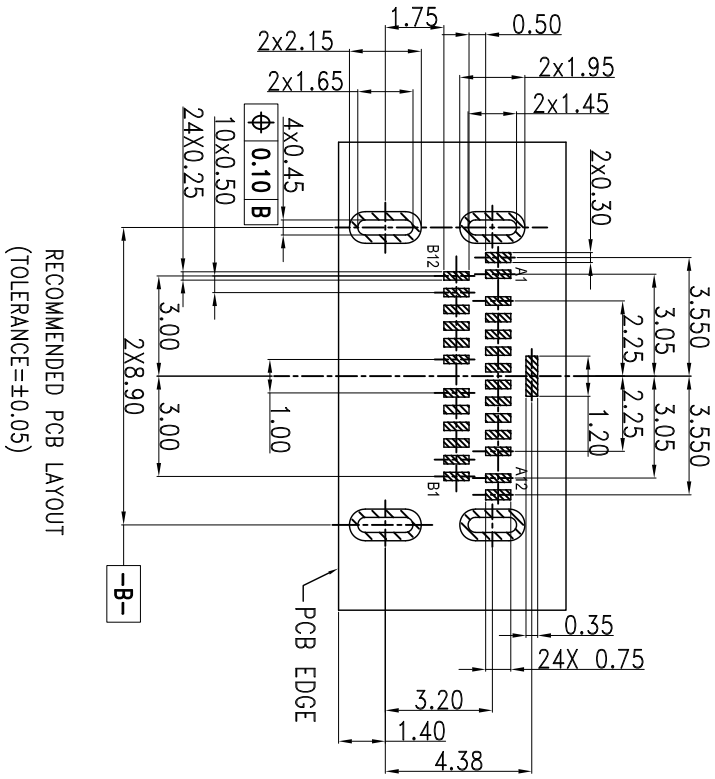
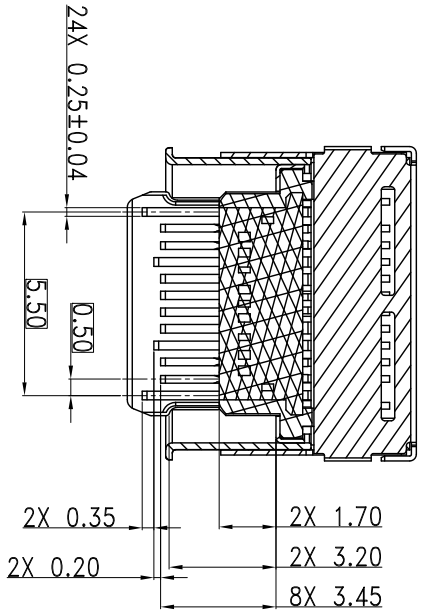
1

This document is the property of Amphenol Corporation and is delivered on the express condition that it is not to be disclosed, reproduced or used, in whole or in part, for manufacture or sale by anyone other than Amphenol Corporation without its prior consent, & that no right is granted to disclose or to use any information in this document.

# CUSTOMER DRAWING

REVISIONS			
SYM	EON	DESCRIPTION	DATE

See page 1



- NOTES/注释:**
- MATERIAL/材料: SEE TABLE/见下表
  - GENERAL SPECIFICATION /通用特性:
    - COPPLANARITY /共面度: 0.10 Max.
    - CURRENT RATING: 5A / 额定电流: 5安培
    - CONTACT RESISTANCE: 40mΩ MAX (INITIAL).  
INSULATION RESISTANCE: 100MΩ Min  
接触电阻: 40毫欧最大(初始值) / 绝缘电阻: 100MΩ Min
    - DIELECTRIC WITHSTANDING VOLTAGE: 100 VAC  
耐压: 100伏交流
  - MECHANICAL CHARACTERISTICS:  
INSERTION FORCE: 5~20N EXTRACTION FORCE: 8~20N  
AFTER DURABILITY EXTRACTION FORCE: 6~20N  
力学特性: 初始插入力: 5~20N 拔出力: 8~20N  
耐久后拔出力: 6~20N
  - DURABILITY: 10000 CYCLES / 耐久性: 10000次
  - PACKAGING TYPE: CARRIER TAPE / 包装类型: 载带包装
- DIMENSIONING SHALL BE INTERPRETED PER ASME Y14.5M 1994.  
尺寸标注基于ASME Y14.5M 1994标准规范
- MATERIAL SHOULD BE FULFILLED AMPHENOL SPEC.# S-SN-002,  
FOR HALOGEN FREE PRODUCTS, ALSO NEED TO MEET S-SN-004.  
产品材料环保标准为Amphenol SSN#002, 如果是无卤产品需满足标准SSN#004
- ORDER P/N SYSTEM/产品料号编码系统 : 12401937XX12A

Plating Spec:  
 21: Mating Area: Au 30u" Min  
 Solder Area: Gold flash  
 50u" Min Nickel Under Plating Over All  
 A:HF  
 Package Spec.  
 2:Reel  
 Date Code Description  
 0:Without D/C  
 1:With D/C

ITEM	DESCRIPTION	Q'TY	MATERIAL
8	LIM	1	CHN-LIMS
7	SMALL SHELL	1	STAINLESS STEEL
6	MAIN SHELL	1	STAINLESS STEEL
5	OUTOR SHELL	1	STAINLESS STEEL
4	MID PLATE	1	STAINLESS STEEL
3	BOTTOM TERMINAL	1	COPPER ALLOY
2	TOP TERMINAL	1	COPPER ALLOY
1	MOLDING HOUSING	1	HIGH TEMPERATURE PLASTIC

BILL OF MATERIAL			
UNLESS OTHERWISE SPECIFIED	APPROVAL	DATE	
TOLERANCES U.S.	DRAWN	06/17/20	
METRIC	CHECKED	06/17/20	
TITILE			
Amphenol Customer Drawing For			
USB 3.1 GEN1, Type C socket connector,			
R/A ,top mount, Double SMT type,			
CH=1.50mm,			
SIZE	SCALE	SHEET	REV.
A3	NONE	2 OF 2	1