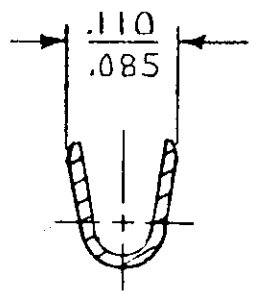
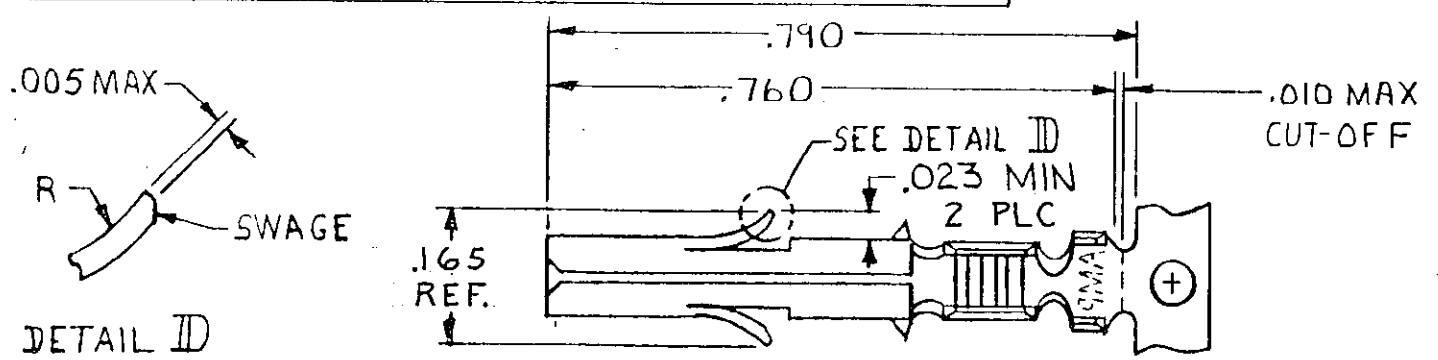


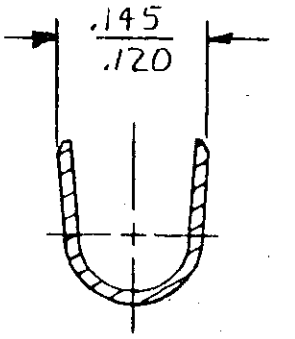
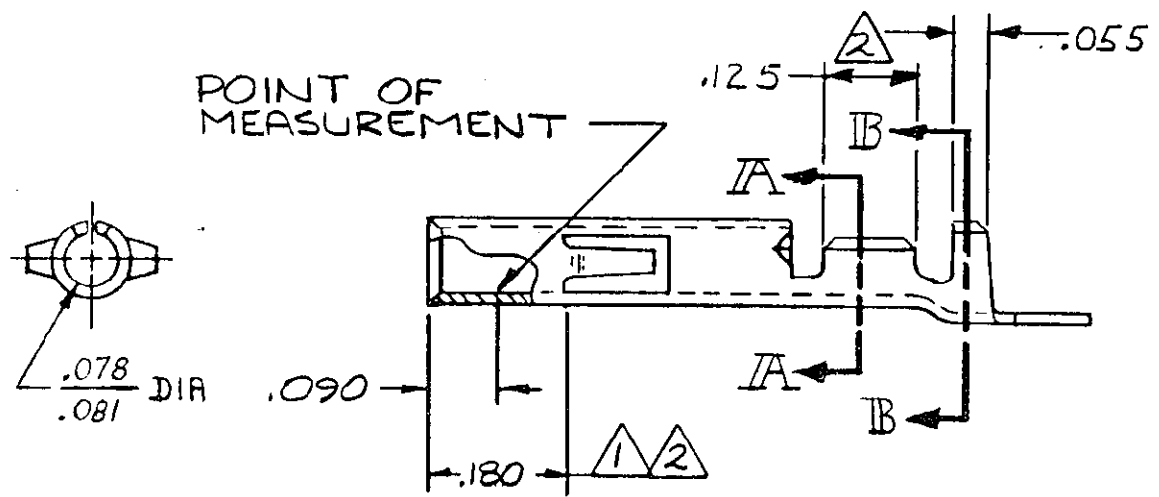
© COPYRIGHT 1975 BY AMP INCORPORATED, HARRISBURG, PA.
 ALL INTERNATIONAL RIGHTS RESERVED. AMP INCORPORATED PRODUCTS
 COVERED BY U. S. AND FOREIGN PATENTS AND/OR PATENTS PENDING.

LOC **CM** DIST **53**

REVISIONS						
P	F	ZONE	LTR	DESCRIPTION	DATE	APPROVED
✓	✓		K	REDRAWN W/O CHANGE M-6457	6-5-81	MSF/DH
✓	✓		L	ADDED .050, 180 DIMS., PT. OF MEAS., M-7351	5/13/83	TW/DH
✓	✓		M	REV PER ECN AG-25	10-11-83	TEB/KW
✓	✓		N	REVISED AG 57	10/21/83	Blair S. Janner
✓	✓		NI	RESTORATION	4-23-85	ST AB
✓	✓		P	REV PER EC 0730-3607-91	1-6-94	RV RS



SECTION A-A



SECTION B-B

- 1 .000030 THICK GOLD OVER NICKEL ON INSIDE OF RECEPTACLE; REMAINDER OF CONTACT IS NICKEL PLATED.
- 2 .000030 THICK GOLD OVER NICKEL ON INSIDE OF RECEPTACLE AND WIRE BARREL; REMAINDER OF CONTACT IS NICKEL PLATED.

FINISH	MATERIAL	PART NO
—	GOLD 1 .012 BRASS	350851-7
640347-2	GOLD 2 .012 BRASS	350851-2
—	PRE-TIN .012 BRASS	350851-1
LOOSE PIECE (REF)	FINISH MATERIAL	PART NO

UNLESS OTHERWISE SPECIFIED DIMENSIONS ARE IN INCHES. TOLERANCES ON: DECIMALS ±.015 ANGLES ±	CONTRACT NO	AMP AMP INCORPORATED Harrisburg, Pa.		
	DR <i>M. Feher 4-23-81</i>			
	CHK <i>J.S. Meide 6/9/81</i>	NAME	SOCKET, UNIVERSAL MATE-N-LOK	
	APPD <i>R. Polachuk 6-10-81</i>	SIZE	CODE IDENT NO	DRAWING NO
WIRE RANGE 24-18 AWG	DSGN APPD	B	00779	350851
INSULATION RANGE .100 DIA MAX	OTHER APPD	SCALE 4-1	SHEET	