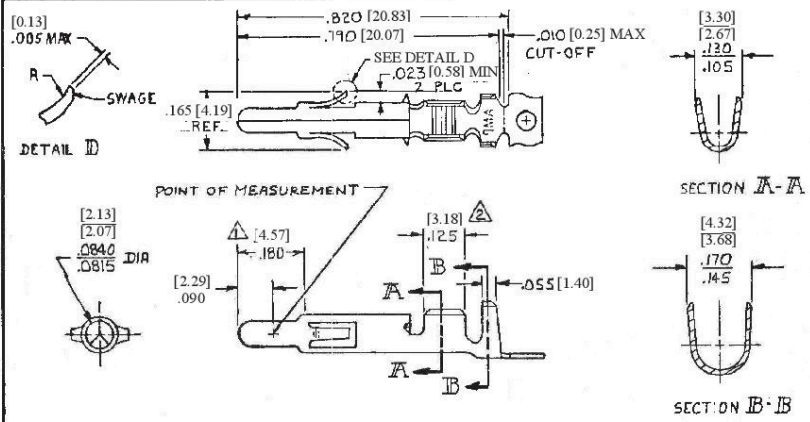


DRAWING MADE IN THIRD ANGLE PROJECTION

© COPYRIGHT



- △ PLATED WITH .000030 [0.00076] GOLD, OVER .000050 [0.00127] NICKEL UNDERPLATE.
- △ PLATED INTERNALLY WITH .000030 [0.00076] GOLD.
- △ INSULATION RANGE: .060-.130 [1.52 - 3.30] OUTSIDE DIAMETER.

REVISIONS					
R	F	ZONE	DESCRIPTION	DATE	APPROVED
		Z	REVISED PER ECR-12-013323	10AUG12	TM
		Z1	REVISED PER ECR-14-005682	18APR14	KD

350547-7					
350547-6	MINI	GOLD	△ .012 [0.30] BRASS	350218-7	
			.012 [0.30] PH. BRZ	350218-6	
350547-3		PRE-TIN	.012 [0.30] PH. BRZ	350218-3	
350547-2	MINI	GOLD	△ △ .012 [0.30]	350218-2	
350547-1		PRE-TIN	BRASS	350218-1	
LOOSE PIECE (REF)	APPLICATOR TYPE	FINISH	MATERIAL	PART NO	

UNLESS OTHERWISE SPECIFIED DIMENSIONS ARE IN INCHES (MM) TOLERANCES & ANGLES	CONTRACT NO	STE TE Corporation		
	DWG NO. <i>FEHER 5-6-81</i>			
	CHK <i>D.S. Heide 6/9/81</i>	NAME	PIN, UNIVERSAL MATE-N-LOK	
	APPR <i>D.S. Heide 6/9/81</i>	APPR	SIZE	CODE IDENT NO
WIRE RANGE	20-14 AWG	B	00779	350218
INSULATION RANGE	△	SCALE 4-1		SHEET