

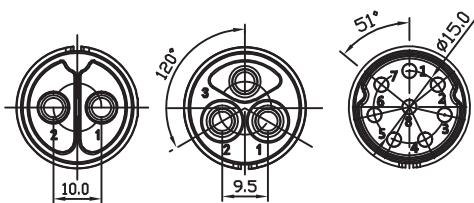
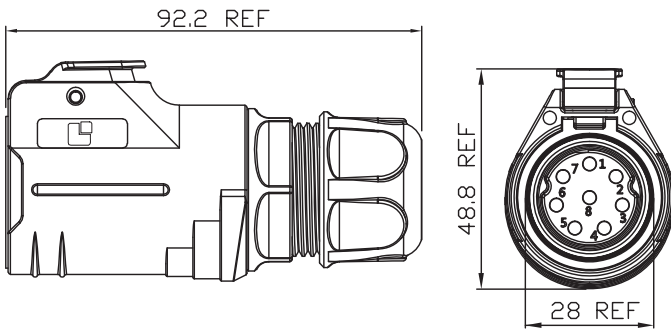
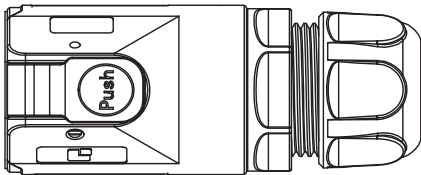
02 0254

Quicklock circular connectors, IP67



Quicklock plug with locking latch, IP67, size 28, straight version, with plastic housing and screw clamps (8-pole version with solder terminals)

02 0254



0254 02

0254 03

0254 08

Environmental conditions

Temperature range -40 °C/+80 °C

Materials

Insulating body	PBT, V-0 according to UL94
Contact pin	CuZn, gold-plated
Housing	PBT, V-0 according to UL94 F1 according to UL 746C, outdoor suitability (UV-light, immersion)
Guiding element	Zn alloy, chrome-plated
Locking	Zn-alloy, chrome-plated
Cap nut	PBT, V-0 according to UL94, F1 according to UL 746C

Mechanical data

Protection class IP67¹

¹ only in locked condition with an appropriate counterpart

Connectable conductors for screw clamp

Section	2.5–16.0 mm ² /AWG 14–6 (2–3 poles)
Cable diameter	4.0–11.5 mm

Connectable conductors for solder area

Section	1.5–4.0 mm ² /AWG 16–12 (8 poles)
Cable diameter	4.0–11.5 mm

Electrical data (at T_{amb} 20 °C)

Contact resistance	≤ 5 mΩ
Rated current	50 A (2 poles) 43 A (3 poles) 17 A (8 poles)
Rated voltage	500 V AC
Rated impulse voltage	≤ 2500 V
Creepage distance	≥ 2 mm
Clearance	≥ 2 mm
Insulation resistance	> 500 MΩ

02

0254

Associated products

Counterparts

[0264](#)

[0274](#)

02 0254

Designation	Pole Number	PU (Pieces)	MDQ (Pieces)
0254 02	2	2	20
0254 03	3	2	20
0254 08	8	2	20

Packaging:

in individual plastic bags, in a cardboard box