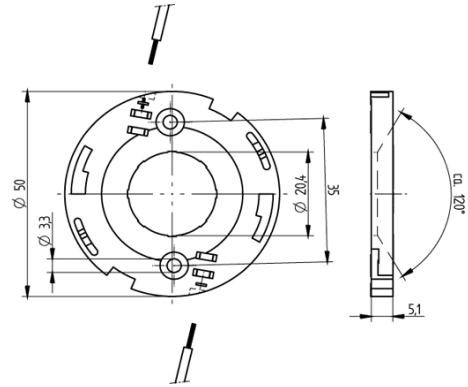


COB connector Ø 50 mm for LED array 24 x 24 mm 47.319.2170.50



0,25 - 0,5 mm²



0,5 mm²

COB connector Ø 50 mm for LED array 24 x 24 mm 47.319.2170.50



DESCRIPTION

With integrated reflector interface
Screw mounting: for screws M3 and locking washer
Max. torque for screw fixing 0.5 Nm*
Strip length: 7-1 mm
Polarity of LED must be observed
Specifications of LED manufacturer must be observed
cURus: For limited applications
VDE-Reg. No. E289
*Please note the max torque of the COB manufacturer

Product name:	COB connector Ø 50 mm for LED array 24 x 24 mm
Mounting method 1:	Screw mount
Mounting method 2:	P2F fixing with 28.902.-102
Prefixation of COB:	Yes
Material:	Housing: PBT Contacts: CuSn
LED manufacturer:	OSRAM Opto Semiconductors
LED Typ:	Soleriq S19
Conductor cross-section:	0.5 mm ²
Approval:	cURus
cULus file no.:	E-345385
Rating:	3A / 150 VDC
Weight:	5
Pkg.:	504

Suitable for the following LED models:

LED Manufacturer	LED Type	More Information
OSRAM Opto Semiconductors	Soleriq S19	http://www.osram-os.com