

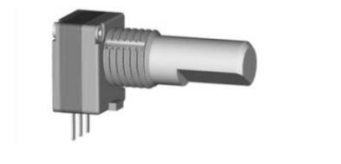
## 7mm Rotary Type, Metal Shaft Series

### Application

- ✓ Audio, Home appliance, Automotive, Communication

### Feature

- ✓ Miniature Design



### ■Specification

Total Rotational Angle	300±5°
Maximum Operating Voltage	50V A.C, 10V D.C
Insulation Resistance	100MΩ at DC250V
Dielectric Strength	A.C 300V for 1 minute
Rotational Torque	10-150 gf.cm
Click Torque	15-150 gf.cm
Rotational Stop Strength of the Shaft	2.5 kgf.cm
Push/Pull Strength of the Shaft	10 kgf.cm
Rotation Life	15,000 cycles

### ■How to order

RD701F-20B1 – 15F – B100K - 0C

[Model](#)

[Metal Shaft Type](#)

#### Taper and Resistance Value

Order Code	Taper	Resistance Value
A100K	Log/A	100KΩ
B1M	Linear/B	1MΩ
C500K	Rev-log/C	100KΩ

Taper: A, B and C

Resistance Value: 1KΩ to 500KΩ and 1MΩ

\*Contact us for other requirements.

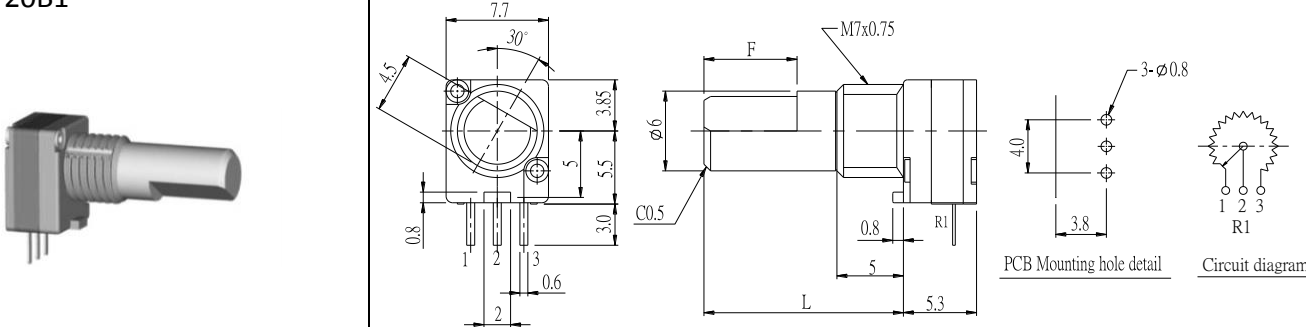
#### Number of Click

Order code	Description
Blank	No click
0C	With center click

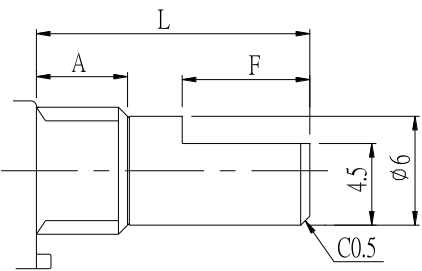
## 7mm Rotary Type, Metal Shaft Series

### Model Description

Model	Number of Unit	Switch Function	Terminal Type	With Sleeve or Bushing	Rotational Angle
<a href="#">RD701F-20B1</a>	Single unit	N/A	Horizontal	Metal bushing	300°±5°

Order Code	Outline Drawing
RD701F-20B1	 <p>Shaft show in full C.C.W. position</p>

### Metal Shaft Type

<p><b>F Type</b></p> 	<p>A : 5mm</p> <table border="1" data-bbox="869 1288 1204 1433"> <thead> <tr> <th>Order Code</th> <th>L</th> <th>F</th> </tr> </thead> <tbody> <tr> <td>12.5F</td> <td>12.5</td> <td>6</td> </tr> <tr> <td>15F</td> <td>15</td> <td>7</td> </tr> </tbody> </table>	Order Code	L	F	12.5F	12.5	6	15F	15	7
Order Code	L	F								
12.5F	12.5	6								
15F	15	7								

Design and specifications presented here are for the standard parts only. Please kindly contact us for your special requests and ask for the current technical specifications before purchase and/or use.

[Back to top](#)

# Mouser Electronics

Authorized Distributor

Click to View Pricing, Inventory, Delivery & Lifecycle Information:

[Alpha \(Taiwan\):](#)

[RD701F-20B1-15F-B50K-005](#) [RD701F-20B1-15F-A5K-005](#) [RD701F-20B1-15F-B5K-005](#) [RD701F-20B1-15F-A50K-005](#) [RD701F-20B1-15F-B10K-005](#) [RD701F-20B1-15F-B100K-005](#) [RD701F-20B1-15F-A10K-005](#) [RD701F-20B1-15F-A100K-005](#)