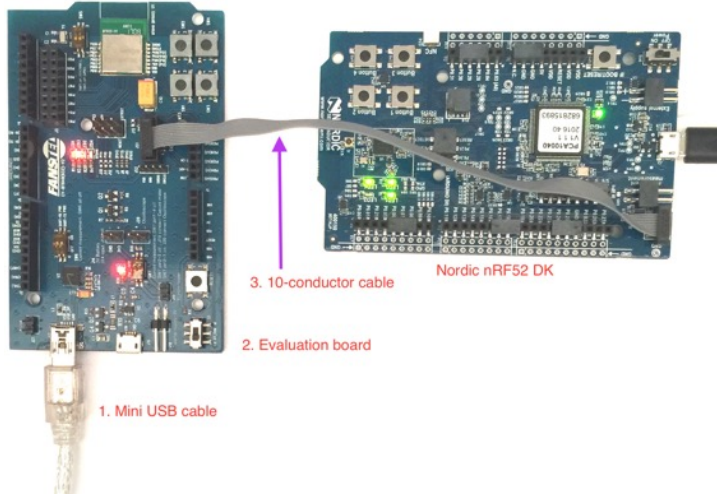


A BlueNor module evaluation board consists of the followings:

1. Mini USB cable
2. Evaluation board
3. 10-conductor cable for connection to Nordic nRF52 DK (not included).



## Download Document, Hex and Source Codes

Hardware description and schematics are available at: <http://www.fanstel.com/download-document/>. If you need a different firmware from preloaded one, download from **Bluetooth 5 Codes** section of the same webpage.

**BT832** firmware can be used in nRF52832 and nRF52810 modules without a power amplifier. For examples: BC832, BT832, BT832A, BT832F, and BT832AF.

**BlueNor Mesh** firmware can be used in BC832, BT832, and BT832F.

**BT832X** firmware can be used in nRF52832 modules with a power amplifier. For examples, BT832X and BT832XE.

**BT840** firmware can be used in nRF52840 modules. For examples, BT840, BT840F, and BT840E.

## Android OS Apps

Available for download from Google Play Store:

**BlueNor nrf5x**: to use with Bluetooth 5 stacks, AT commands, or Slave firmware. Master firmware does not connect to a smartphone. Source codes can be downloaded from <http://www.fanstel.com/download-document/>

**BlueNor Mesh**: to use with BlueNor mesh firmware to send command to any node in a mesh. Node number is displayed when acknowledgement is received. Source codes will be uploaded to Fanstel website when supporting Bluetooth 5.

## iOS Apps

**BlueNor Mesh**: to use with BlueNor mesh firmware to send command to any node in a mesh. Node number is displayed when acknowledgement is received.

**BlueNor nrf5x** firmware, apps, and source codes will be uploaded when ready.

## Nordic Development Tools

A Nordic nRF52 DK is recommended for programming this evaluation board.

Nordic development tools can be downloaded from: <https://www.nordicsemi.com/eng/Products/Bluetooth-low-energy/nRF52832/Development-tools-and-Software>

## Preloaded Firmware and Android/iOS App Summaries

EV Board	Firmware	Description	Android/iOS Apps
EV BT832	<i>BT832_BlueNor_Nrf5x.hex</i>	Bluetooth 5 stacks	<i>BlueNor nrf5x</i>
EV BT832F	<i>BlueNor_mesh.hex</i>	OpenMesh, pre-Bluetooth 5 stacks	<i>BlueNor Mesh</i>
EV BT832A	<i>BT832_BlueNor_Nrf5x.hex</i>	Bluetooth 5 stacks	<i>BlueNor nrf5x</i>
EV BT832AF	<i>BT832_AT_57600_V5.hex</i>	AT commands on Bluetooth 5	<i>BlueNor nrf5x</i>
EV BC832	<i>BT832_BlueNor_Nrf5x.hex</i>	Bluetooth 5 stacks	<i>BlueNor nrf5x</i>
EV BT832X	<i>BT832X_Multi_Slave.hex</i>	Bluetooth 5 Slave with PA	<i>BlueNor nrf5x</i>
EV BT832XE	<i>BT832X_Multi_Slave.hex</i>	Bluetooth 5 Slave with PA	<i>BlueNor nrf5x</i>
EV BT832X-AT	<i>BT832X_AT_57600_V5.hex</i>	AT commands on Bluetooth 5 with PA	<i>BlueNor nrf5x</i>
EV BT840F	<i>BT840_mesh_V5.hex</i>	Bluetooth 5 mesh	<i>BlueNor Mesh</i>
EV BT840E	<i>BT840_mesh_V5.hex</i>	Bluetooth 5 mesh	<i>BlueNor Mesh</i>
EV BT840	<i>BT840_BlueNor_Nrf5x.hex</i>	Bluetooth 5 stacks	<i>BlueNor nrf5x</i>

# Mouser Electronics

Authorized Distributor

Click to View Pricing, Inventory, Delivery & Lifecycle Information:

Fanstel:

[EV-BT832](#) [EV-BT832A](#) [EV-BT832AF](#) [EV-BT832F](#) [EV-BT840](#) [EV-BT832XE](#)