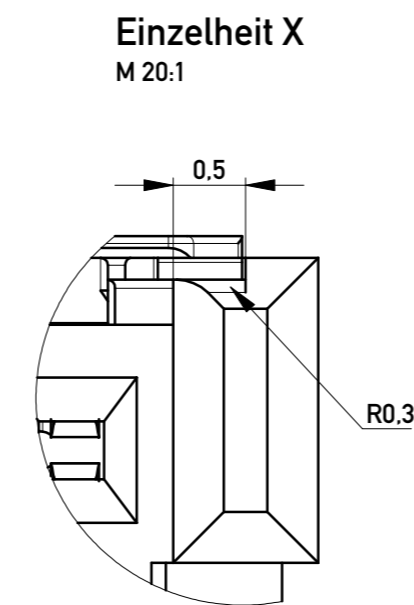
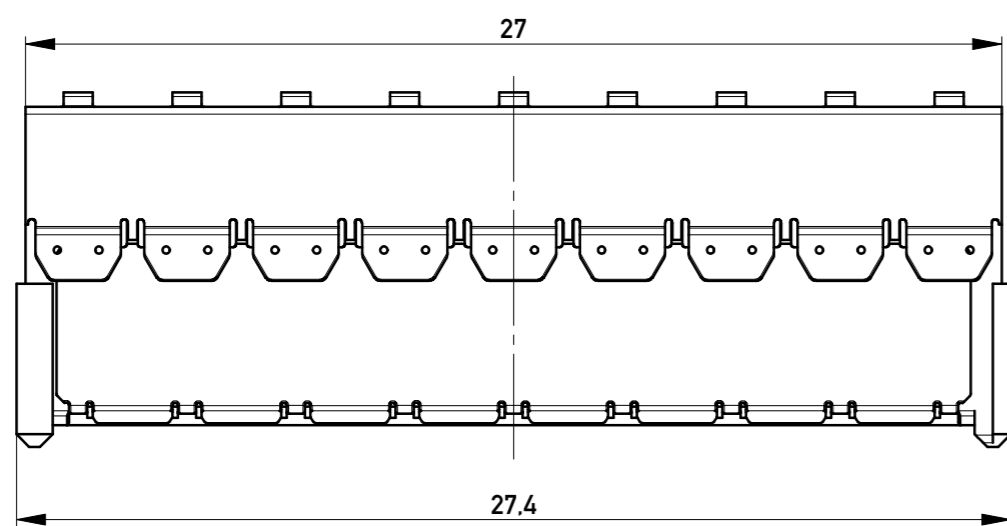
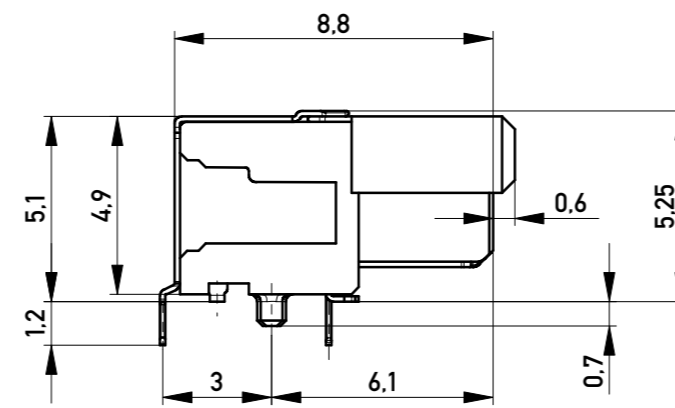
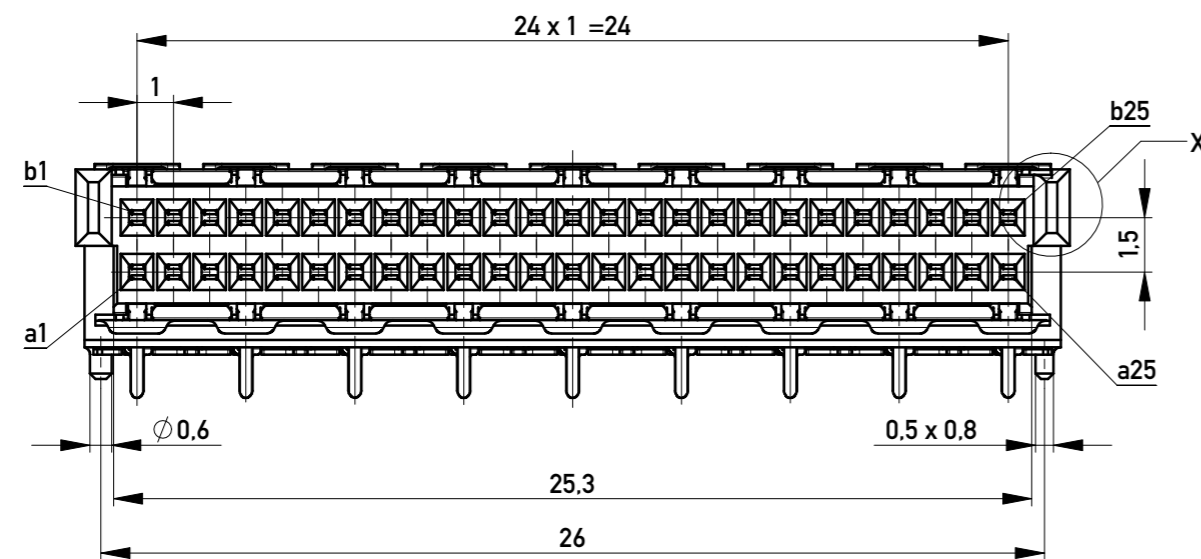
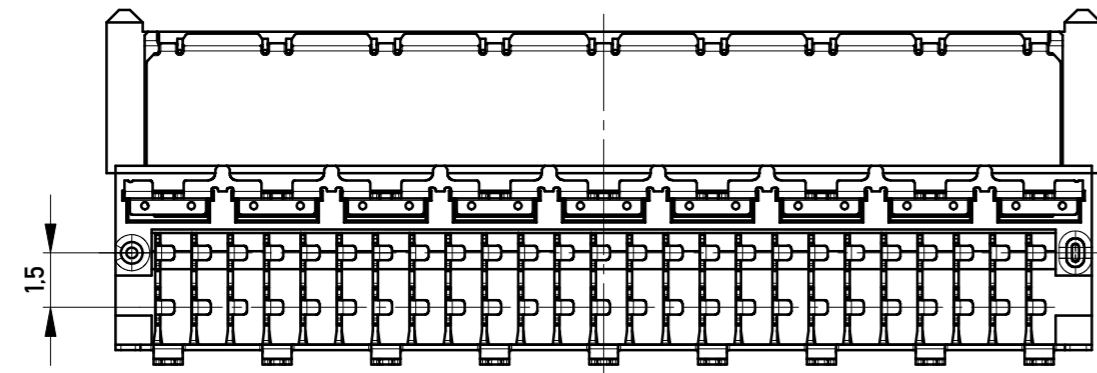
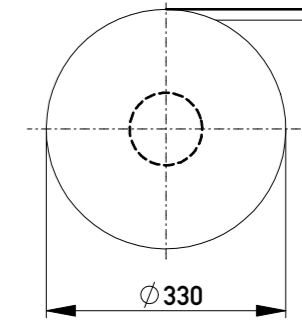
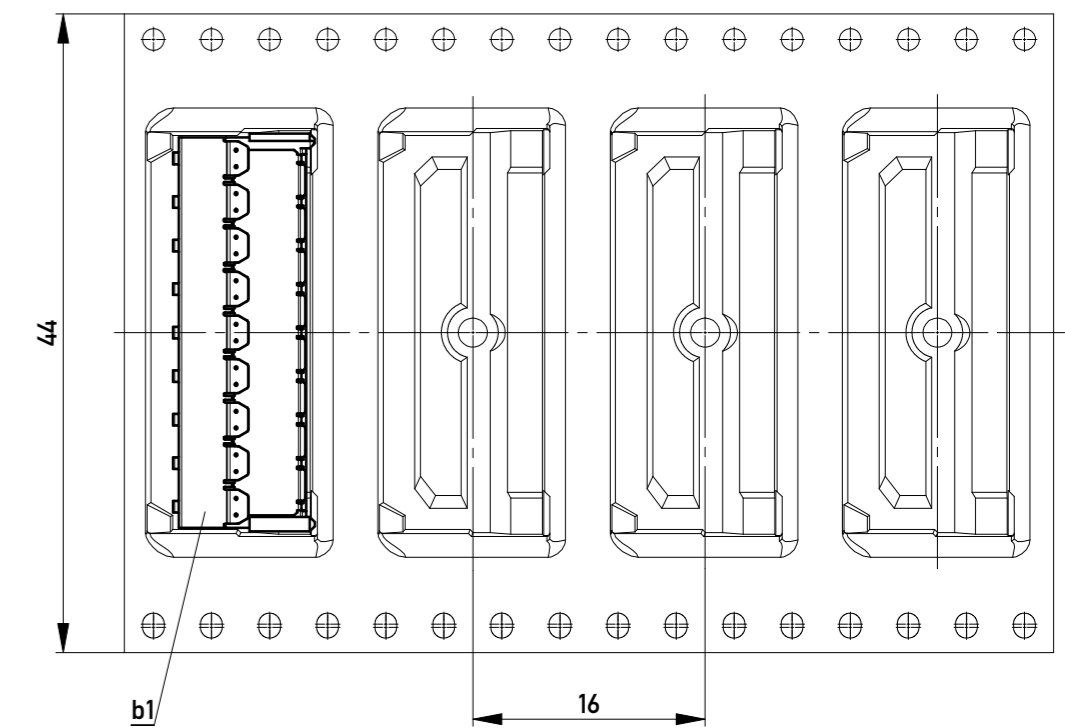


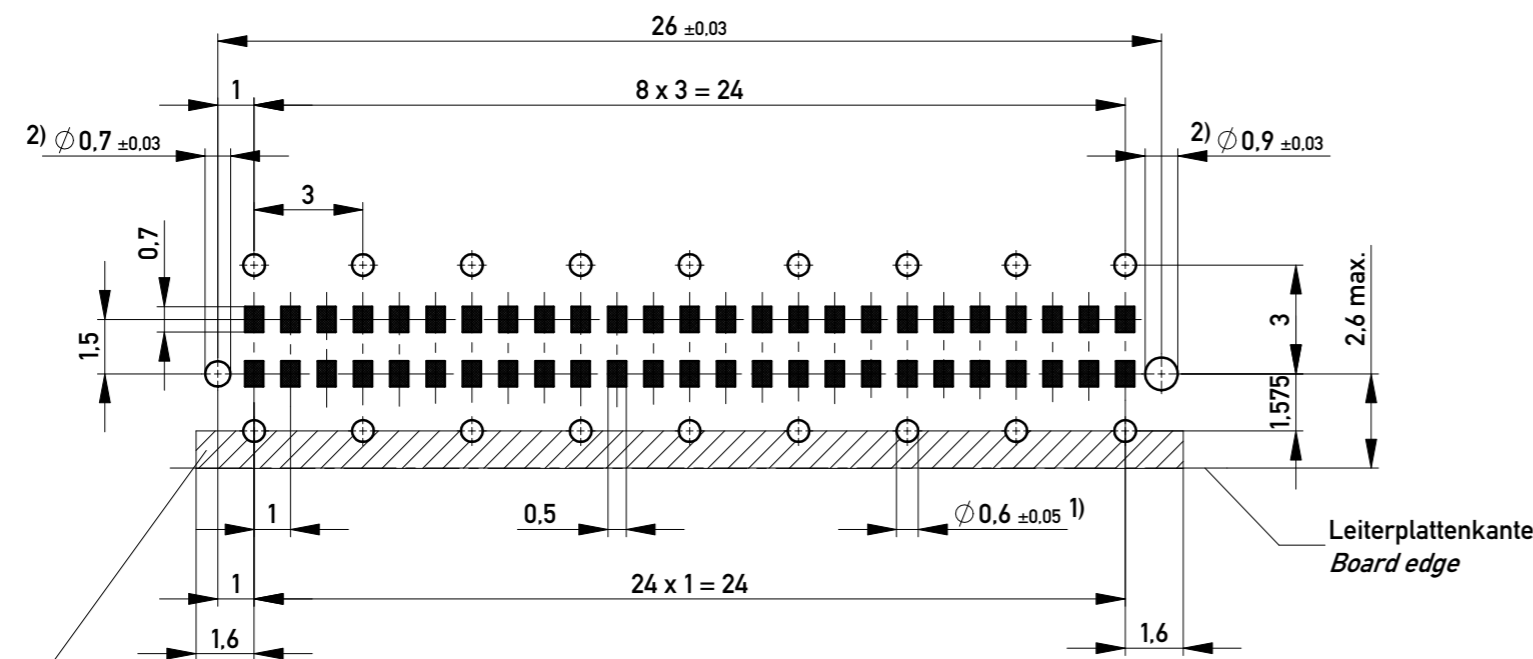
Verpackt im Gurt in Anlehnung an DIN IEC 60286-3
 Tape on Reel Packaging according to DIN IEC 60286-3
 Verpackungseinheit: 500 Stück
 Packaging unit: 500 pcs



Abspulrichtung - Reel off Direction



Leiterplatten-Layout Vorschlag / PCB-layout proposal



Schirmblechaufgabe berücksichtigen,
 keine Durchkontaktierungen oder Leitungen möglich!
 Consider shielding contact area, no vias or traces possible!

- 1) Fertigllochdurchmesser / Finished Via diameter
- 2) Durchmesser des Bohrers / Drill tool

Anforderungsstufe 1
 Performance Level 1

Kontaktbereich vergoldet
 Mating Area gold plating

Anschlussbereich verzinkt 4-6 µm
 Terminal Area 4-6 µm tin plating

Koplanarität der Anschlüsse ≤ 0.1 mm
 Coplanarity Area of Termination ≤ 0.1 mm

| | | | |
|--|------------|----------------------|--|
| Information: | | Tolerances | Scale 5:1 |
| All rights reserved. Only for Information. To ensure that this is the latest version of this drawing, please contact one of the ERNI companies before using. | | All Dimensions in mm | Designation |
| Subject to modification without prior notice. Drawing will not be updated. | | www.ERNI.com | Federl. 90° SMDTHR 50p. BM EMV Female 90° SMDTHR 50co. BM EMV |
| 9 | 06.09.2016 | 374720 | |
| Index | Date | Class | MSPEED |
| | | | 1 A2 |

Copyright by ERNI Production GmbH & Co. KG
 Proprietary notice pursuant to ISO 16016 to be observed.

Mouser Electronics

Authorized Distributor

Click to View Pricing, Inventory, Delivery & Lifecycle Information:

[ERNI Electronics:](#)

[374720](#)