

Technical Characteristics

Part Number

Han 16A Kit

| | |
|-----------------------|-----------------------|
| Hood | Side Entry |
| Housing | Single Lever Bulkhead |
| Hood/Housing Material | Die Cast Aluminum |
| IP / NEMA | IP65 / 4, 4x, 12 |
| Temp Rating | -40 to +125C |
| Cable Gland | M20 Metal |
| Cable Diameter | 5-9mm / 6-12mm |
| Insert | Han 16A, 16+GND |
| Screw Terminals | 18-14AWG |
| Wire Strip Length | 7.5mm |
| Mating Cycles | > 500 |
| Flammability | V-0 |

Electrical Characteristics

| | |
|-----------------------|---------|
| Rated Current | 16amps |
| Rated Voltage | 600V UL |
| Rated Impulse Voltage | 4kV |

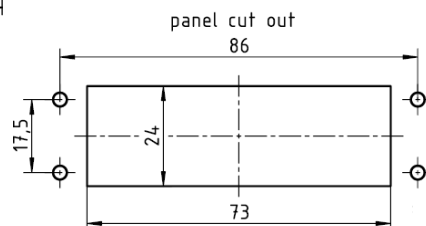
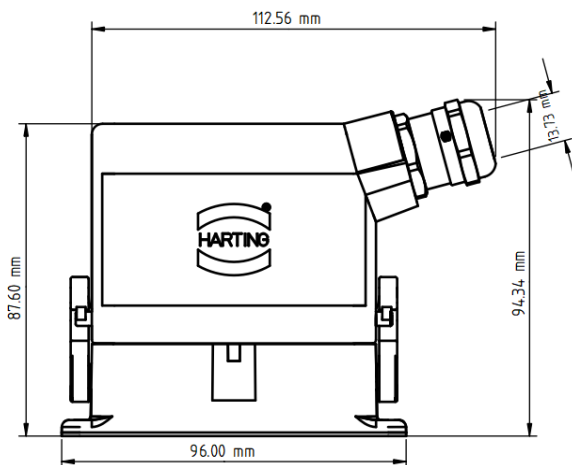
10 20 016 0000

UL508



Drawings and Assembly Information

Dimensions in mm



Tooling and Torque Values

| Type | Tool | Torque (Nm) |
|----------------------------------|-----------------------------|-------------|
| Terminal Screws (M3) | PH1 or Slotted 0.6 x 3.5 | 0.50 |
| Fixing Screw (M3) | PH1 or Slotted 0.6 x 3.5 | 0.50 |
| Mounting Screws (M3 recommended) | - | 0.8...1.0 |
| Cable Gland (M20) | SW 22 | 10 |

Kit Contents

| | |
|---------------|----------------|
| Male Insert | 09 20 016 2612 |
| Female insert | 09 20 016 2812 |
| Housing | 09 20 016 0301 |
| Hood | 19 20 016 1540 |
| Cable Gland | 19 00 000 5081 |

Mouser Electronics

Authorized Distributor

Click to View Pricing, Inventory, Delivery & Lifecycle Information:

[HARTING:](#)

[10200160000](#)