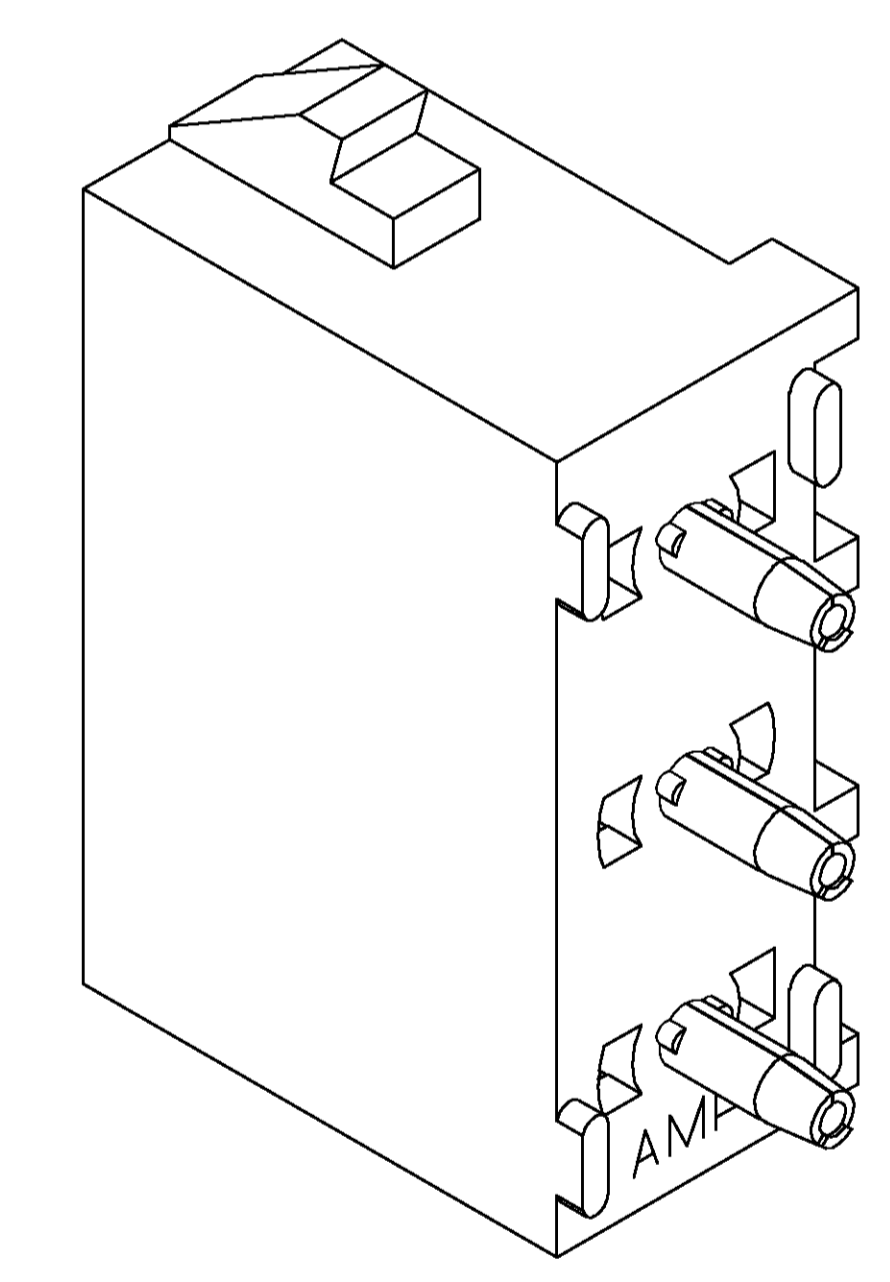


RECOMMENDED MOUNTING HOLE PATTERN FOR 1.57 [.062] THICK P.C. BOARD

- PARTS COMPLY TO AMP SOLDERABILITY SPECIFICATION 109-11-3.
- CONTACT IS PLATED OVERALL WITH 0.00127 [.000050] NICKEL, THEN 0.00076 [.000030] GOLD OVER CONTACT LENGTH INDICATED AND MATTE TIN LEAD ON SOLDER TAIL END.
- CIRCUIT IDENTIFICATION CHARACTERS ARE ADJACENT TO THE INDICATED CAVITIES, BUT LOCATION AND ORIENTATION MAY DIFFER FROM PRINT.
- DIMENSIONS IN BRACKETS ARE IN INCHES.
- CONTACT IS PLATED OVERALL WITH 0.00127 [.000050] NICKEL, THEN 0.00076 [.000030] GOLD OVER CONTACT LENGTH INDICATED AND MATTE TIN ON SOLDER TAIL END.



3-DIMENSIONAL MODEL NTS

PHOSPHOR BRONZE, GOLD	NYLON, UL94V-2, NATURAL	350760-5
PHOSPHOR BRONZE, PRE-TIN	NYLON, UL94V-2, NATURAL	350760-4
PHOSPHOR BRONZE, GOLD	NYLON, UL94V-2, NATURAL	350760-3
CONTACT MATERIAL AND FINISH	HOUSING MATERIAL	PART NUMBER



THIS DRAWING IS A CONTROLLED DOCUMENT.

DIMENSIONS: mm [INCHES]	TOLERANCES UNLESS OTHERWISE SPECIFIED:	APVD	DATE	REV	DESCRIPTION
0 PLC ± -	1 PLC ± -	8-19-98	8-19-98	1	SOCKET HEADER ASSEMBLY, 3 CIRCUIT UNIVERSAL MATE-N-LOK™
2 PLC ± 0.13 [.005]	3 PLC ± -	8-19-98	8-19-98	2	
4 PLC ± -	ANGLES ± 0.30°				
MATERIAL SEE TABLE	FINISH SEE TABLE	WEIGHT	SIZE	CAGE CODE	DRAWING NO
			A1	00779	350760
CUSTOMER DRAWING			SCALE	SHEET	REV
			5:1	1 OF 1	T

Tyco Electronics Corporation
Greensboro, NC 27409