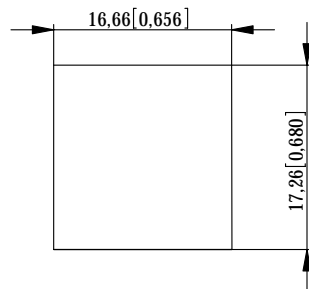


RECOMMENDED PANEL CUTOUT
EMPFOHLENER FRONTPLATTEN AUSSCHNITT



MATERIALS AND FINISH

HOUSING: GLASS FILLED POLYESTER UL 94 V-0 BLACK
 SHIELDING: Cu ALLOY, PLATED WITH Ni
 CONTACTS: PHOSPHOR BRONZE
 CONTACT FINISH: Au, 0.8 µm (30 µin) OVER Ni
 TERMINAL FINISH: Sn MATTE
 LED LENS: EPOXY

MECHANICAL CHARACTERISTICS

DURABILITY: 1000 MATING CYCLES

ELECTRICAL CHARACTERISTICS

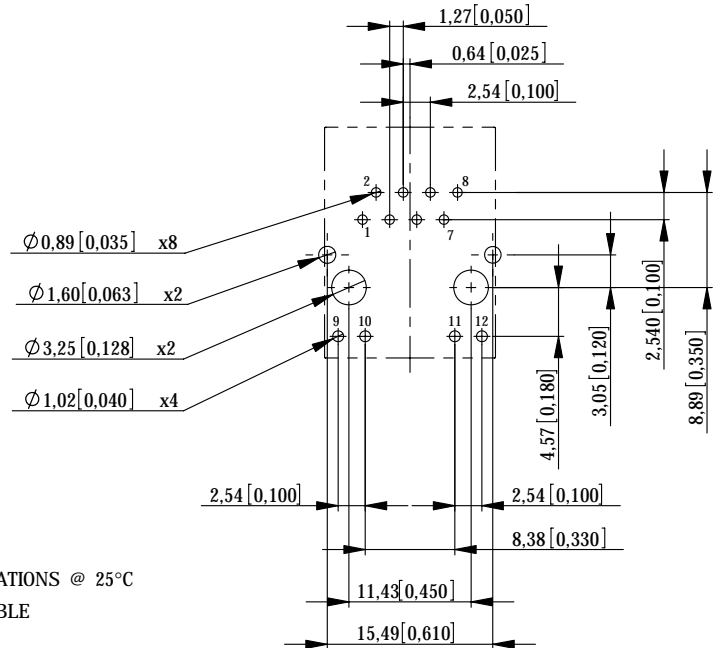
CONTACT RESISTANCE: 30 MILLIOHMS MAX
 OPERATING TEMPERATURE: 0°C TO 70°C

NOTE 1: RoHS COMPLIANT; PRINT "RC" WITH DATE CODE

NO. IDENT.-NR.	LED 2 LEFT LED 2 LINKS	LED 1 RIGHT LED 1 RECHTS	LED CODE
203323	YELLOW	GREEN	L1
203324	GREEN	YELLOW	L2
203325	GREEN	GREEN	L3
203326	GREEN	RED	L4
203327	ORANGE/GREEN	ORANGE/GREEN	L9

Copyright by ERNI GmbH Proprietary notice pursuant to ISO 16006 to be observed	Information: SCHEMATIC NUMBER: M3D01		Tolerances		Scale 2:1		
	All rights reserved. Only for Information. To insure that this is the latest version of this drawing, please contact one of the ERNI companies before using.		Subject to modification without prior notice. Drawing will not be updated.		Designation MOD - JACK MJIMV 1x1, 8C8T, VERTICAL, INT. MAG., LED		
			www.ERNI.com		203289		1 (1/2) A3
B		30.11.2006			Class MJIM		
Index		Date					

RECOMMENDED PCB LAYOUT (COMPONENT SIDE VIEW)
 EMPFOHLENES LEITERPLATTEN-LAYOUT (BESTÜCKUNGSSEITE)
 TOL ±0.05 [0.002] UNLESS NOTED



MAGNETICS SPECIFICATIONS @ 25°C

AUTO MDIX COMPATIBLE

URNS RATIO:

(P1-P2 : J1-J2) 1CT : 1 ±3%
 (P3-P6 : J3-J6) 1CT : 1 ±3%

OCL(100 KHz, 0.1 Vrms, 8 mA)

(P1-P2 : P3-P6) 350µH MIN

DCR (P1-P2, P3-P6) 0.9 OHMS MAX

INSERTION LOSS:

0.1-100 MHz -1.1 dB MAX

RETURN LOSS:

0.5 - 30 MHz: -18 dB MIN
 40 MHz: -15.5 dB MIN
 50 MHz: -13.6 dB MIN
 60 - 80 MHz: -12 dB MIN

CROSSTALK:

1-100 MHz -40 dB TYP

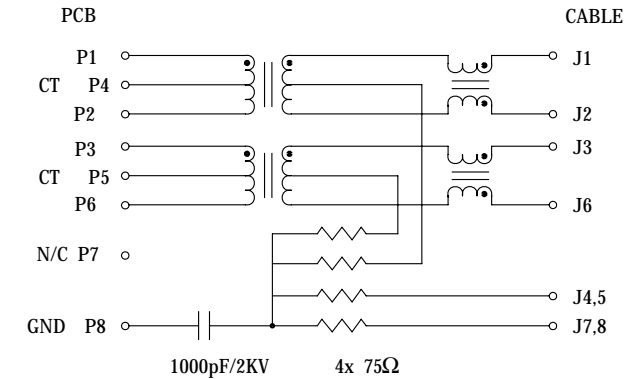
CMR:

0.1 - 30 MHz -50 dB TYP
 30 - 60 MHz -40 dB TYP
 60 - 100 MHz -35 dB TYP

ISOLATION

1500 Vrms

ELECTRICAL SCHEMATIC M3D01
 ELEKTRISCHER SCHALTPLAN



LED SPECIFICATIONS
 LED ANWEISUNG

COLOR FARBE	V _f TYP	V _f MAX	I _f mA	CIRCUIT DIAGRAM SCHALTPLAN
YELLOW	2.1	2.5	20	
GREEN	2.2	2.5	20	
RED	2.25	2.5	20	
ORANGE/GREEN	2.05/2.2	2.5	20	

Information:	Tolerances		Scale 2:1
	All Dimensions in mm[in]		
All rights reserved. Only for Information. To insure that this is the latest version of this drawing, please contact one of the ERNI companies before using.	Subject to modification without prior notice. Drawing will not be updated.	Designation MOD - JACK MJIMV 1x1, 8C8T, VERTICAL, INT. MAG., LED	
		www.ERNI.com	203289
Class MJJM		1 (2/2) A3	

Copyright by ERNI GmbH
 Proprietary notice pursuant to ISO 16016 to be observed

Mouser Electronics

Authorized Distributor

Click to View Pricing, Inventory, Delivery & Lifecycle Information:

[ERNI Electronics:](#)

[203324](#) [203325](#) [203323](#)