

Y distributor - SAC-5P-M12YF/M12FS-M12MS VP



1526253

<https://www.phoenixcontact.com/gb/products/1526253>

Please be informed that the data shown in this PDF document is generated from our Online Catalog. Please find the complete data in the user documentation. Our General Terms of Use for Downloads are valid.



Y distributor, 5-position, Socket straight M12, coding: A, on Socket straight M12, coding: A and Plug straight M12, coding: A, Parallel distributor

Commercial Data

Item number	1526253
Packing unit	5 pc
Minimum order quantity	5 pc
Sales Key	BF1GAB
Product Key	BF1GAB
GTIN	4017918954291
Weight per Piece (including packing)	28.84 g
Weight per Piece (excluding packing)	26.25 g
Customs tariff number	85366990
Country of origin	PL

Technical Data

Product properties

Product type	Y-distributor
Number of positions	5
No. of cable outlets	2
Shielded	no
Coding	A - standard
Thread type	M12

Insulation characteristics

Overvoltage category	II
Degree of pollution	3

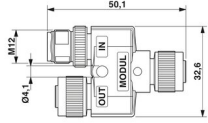
Electrical properties

Insulation resistance	$\geq 100 \text{ M}\Omega$
Nominal voltage U_N	48 V AC
	60 V DC
Nominal current I_N	4 A

LED signaling

Status display	No
Status display present	No

Dimensions

Dimensional drawing	
Length	50.1 mm
Center distance	18 mm

Material specifications

Flammability rating according to UL 94	HB
Sealing material	NBR
Material of grip body	TPU, hardly inflammable, self-extinguishing
Contact material	CuZn
Contact surface material	Ni/Au
Contact carrier material	TPU GF
Cable gland material	Zinc die-cast, nickel-plated

Connector

Insertion/withdrawal cycles	≥ 100
-----------------------------	------------

Y distributor - SAC-5P-M12YF/M12FS-M12MS VP



1526253

<https://www.phoenixcontact.com/gb/products/1526253>

Connection 1

Head design	Socket
Head cable outlet	straight
Head thread type	M12
Coding	A

Connection 2

Head design	Socket
Head cable outlet	straight
Head thread type	M12
Coding	A

Environmental and real-life conditions

Ambient conditions

Degree of protection	IP65
	IP67
Ambient temperature (operation)	-25 °C ... 90 °C (Plug / socket)

Standards and regulations

Standards/specifications	IEC 61076-2-101
--------------------------	-----------------

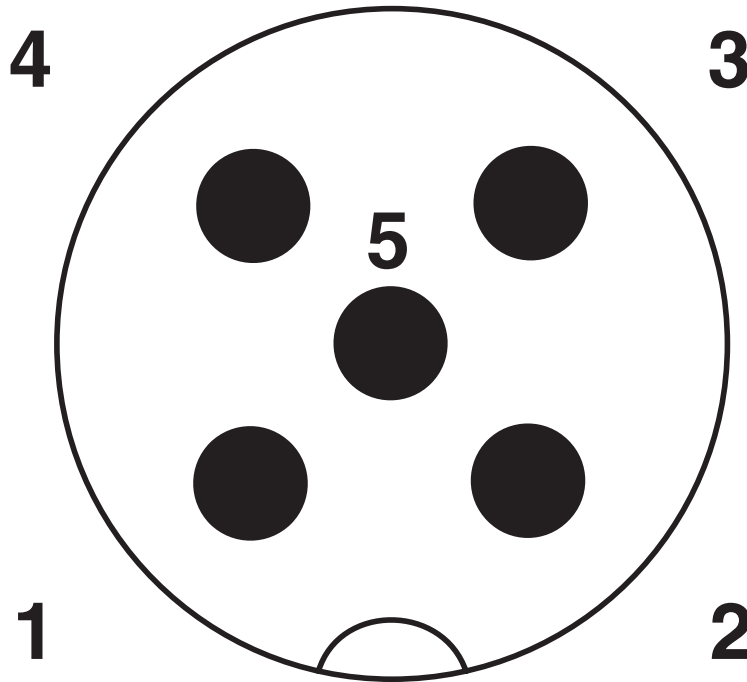
Y distributor - SAC-5P-M12YF/M12FS-M12MS VP

1526253

<https://www.phoenixcontact.com/gb/products/1526253>

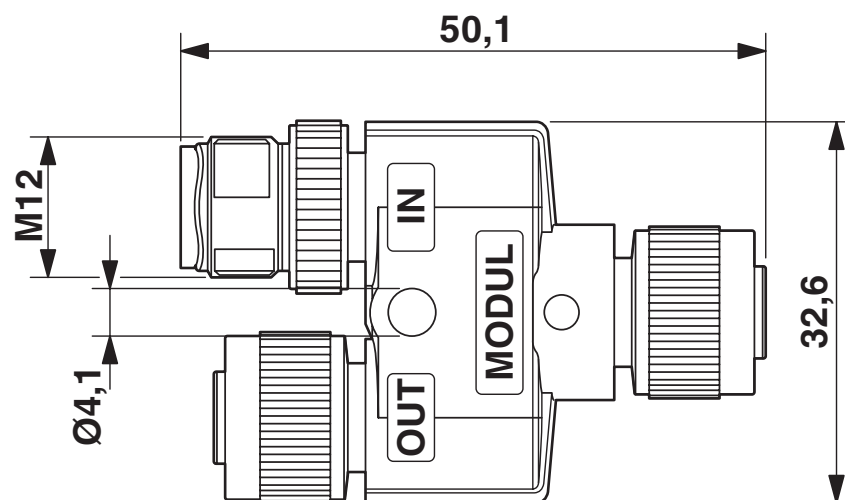
Drawings

Schematic diagram



Pin assignment M12 male connector, 5-pos., A-coded, male side

Dimensional drawing



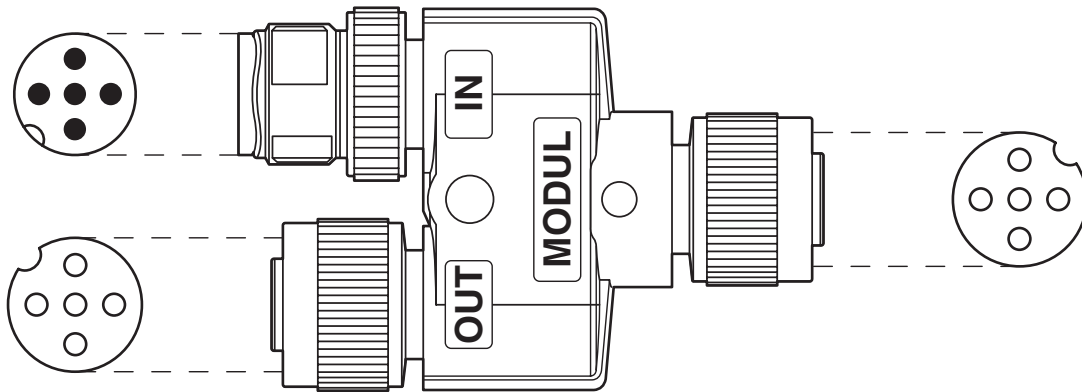
Plug M12 x 1, Y distributor

Y distributor - SAC-5P-M12YF/M12FS-M12MS VP

1526253

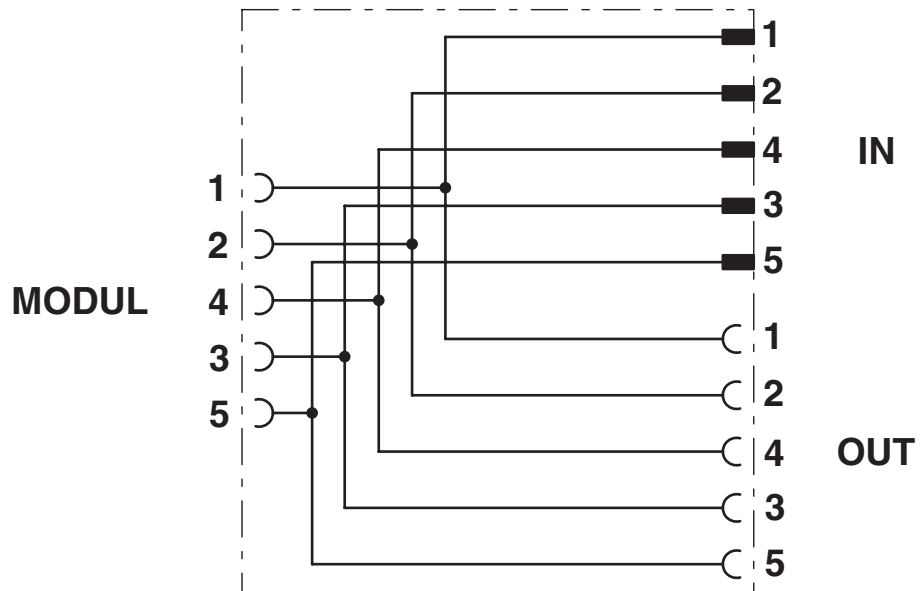
<https://www.phoenixcontact.com/gb/products/1526253>

Schematic diagram



Layout of connector pin assignments

Circuit diagram



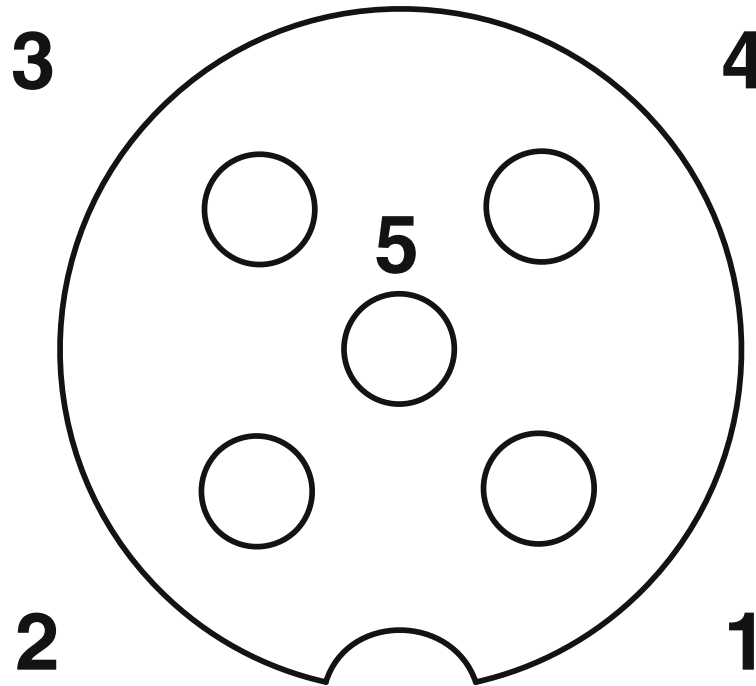
Y distributor - SAC-5P-M12YF/M12FS-M12MS VP

1526253

<https://www.phoenixcontact.com/gb/products/1526253>



Schematic diagram



Pin assignment M12 socket, 5-pos., A-coded, socket side view

Y distributor - SAC-5P-M12YF/M12FS-M12MS VP



1526253

<https://www.phoenixcontact.com/gb/products/1526253>

Approvals



EAC

Approval ID: EAC-Zulassung



EAC

Approval ID: RU C-DE.BL08.B.00511



UL Listed

Approval ID: E221474

	Nominal Voltage U_N	Nominal Current I_N	Cross Section AWG	Cross Section mm^2
	30 V	4 A	-	-



cUL Listed

Approval ID: E221474

	Nominal Voltage U_N	Nominal Current I_N	Cross Section AWG	Cross Section mm^2
	30 V	4 A	-	-

cULus Listed

Y distributor - SAC-5P-M12YF/M12FS-M12MS VP



1526253

<https://www.phoenixcontact.com/gb/products/1526253>

Classifications

ECLASS

ECLASS-9.0	27440106
ECLASS-10.0.1	27440106
ECLASS-11.0	27440106
ECLASS-12.0	27440106

ETIM

ETIM 8.0	EC002925
----------	----------

UNSPSC

UNSPSC 21.0	31251500
-------------	----------

Y distributor - SAC-5P-M12YF/M12FS-M12MS VP



1526253

<https://www.phoenixcontact.com/gb/products/1526253>

Environmental Product Compliance

REACH SVHC	Lead 7439-92-1
China RoHS	Environmentally Friendly Use Period = 50 years
	For information on hazardous substances, refer to the manufacturer's declaration available under "Downloads"

Y distributor - SAC-5P-M12YF/M12FS-M12MS VP



1526253

<https://www.phoenixcontact.com/gb/products/1526253>

Accessories

Torque screwdriver

Torque screwdriver - TSD 04 SAC - 1208429

<https://www.phoenixcontact.com/gb/products/1208429>



Torque screwdriver, with preset torque of 0.4 Nm and 4 mm hexagonal drive for M12 connectors

Tool

Tool - SAC BIT M12-D15 - 1208432

<https://www.phoenixcontact.com/gb/products/1208432>



Nut for assembling sensor/actuator cables with M12 connector and M12 connectors for assembly, with a knurl diameter of 15 mm, for 4 mm hexagonal drive

Y distributor - SAC-5P-M12YF/M12FS-M12MS VP

1526253

<https://www.phoenixcontact.com/gb/products/1526253>

Screw plug

Screw plug - PROT-M12 - 1680539

<https://www.phoenixcontact.com/gb/products/1680539>



An M12 screw plug for the unoccupied M12 sockets of the sensor/actuator cable, boxes and flush-type connectors

Sealing cap

Sealing cap - PROT-M12 FS - 1560251

<https://www.phoenixcontact.com/gb/products/1560251>



M12 sealing cap for unoccupied M12 plugs of the sensor/actuator cable, flush-type plugs and I/O devices in the field

Y distributor - SAC-5P-M12YF/M12FS-M12MS VP



1526253

<https://www.phoenixcontact.com/gb/products/1526253>

Screw plug

Screw plug - PROT-M12 MS-PA-CHAIN - 1430899

<https://www.phoenixcontact.com/gb/products/1430899>

M12 sealing cap with fixing band, for sensor cables, for free M12 sockets



Sealing cap

Sealing cap - PROT-M12 FS-PA-CHAIN - 1430873

<https://www.phoenixcontact.com/gb/products/1430873>

M12 sealing cap made of plastic with fixing band, for sensor cables, for free M12 plugs



Phoenix Contact 2022 © - all rights reserved
<https://www.phoenixcontact.com>

PHOENIX CONTACT Ltd
Halesfield 13, Telford
Shropshire, TF7 4PG
01952 681700
info@phoenixcontact.co.uk