

# D-SUB crimp contact - CUC-DSC-J1BAU-S/DSC24



1418788

<https://www.phoenixcontact.com/gb/products/1418788>

Please be informed that the data shown in this PDF document is generated from our Online Catalog. Please find the complete data in the user documentation. Our General Terms of Use for Downloads are valid.



D-SUB crimp contact, connection method: Crimp connection, connection cross section: AWG 24-20

## Product Description

Standard contact for D-SUB contact inserts

## Commercial Data

Item number	1418788
Packing unit	100 pc
Minimum order quantity	100 pc
Sales Key	ABNADC
Product Key	ABNADC
Catalog Page	Page 446 (C-2-2019)
GTIN	4055626150758
Weight per Piece (including packing)	0.238 g
Weight per Piece (excluding packing)	0.211 g
Customs tariff number	85366990
Country of origin	CH

# D-SUB crimp contact - CUC-DSC-J1BAU-S/DSC24



1418788

<https://www.phoenixcontact.com/gb/products/1418788>

## Technical Data

### Notes

General	Test voltage only in combination with contact insert, Item no.: 1688861.
---------	--

### Mounting

Mounting type	Crimp connection
---------------	------------------

### Product properties

Product type	Crimp contact
Type	Individual female contact
Contact type	turned
Series	HC-M-DSUB-C HC-M-08-GBIT HC-M-25 HC-M-EMV

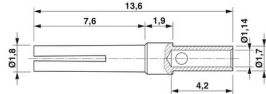
### Connection data

Connection method	Crimp connection
Connection technology	Crimp connection
Conductor cross section	0.2 mm <sup>2</sup> ... 0.5 mm <sup>2</sup>
Connection cross section AWG	24 ... 20

### Material specifications

Contact material	Copper alloy
Contact surface material	0.2 µm, gold over nickel

### Dimensions

Dimensional drawing	
Width	1.7 mm
Height	1.7 mm
Length	13.7 mm

### Mechanical characteristics

Contact diameter	1 mm
------------------	------

### Electrical properties

Rated surge voltage	1.2 kV (1 min.)
Rated current	5 A (at 20 °C)
Test voltage	1500 V

# D-SUB crimp contact - CUC-DSC-J1BAU-S/DSC24



1418788

<https://www.phoenixcontact.com/gb/products/1418788>

## Environmental and real-life conditions

### Ambient conditions

Ambient temperature (operation)
---------------------------------

-55 °C ... 130 °C
-------------------

# D-SUB crimp contact - CUC-DSC-J1BAU-S/DSC24

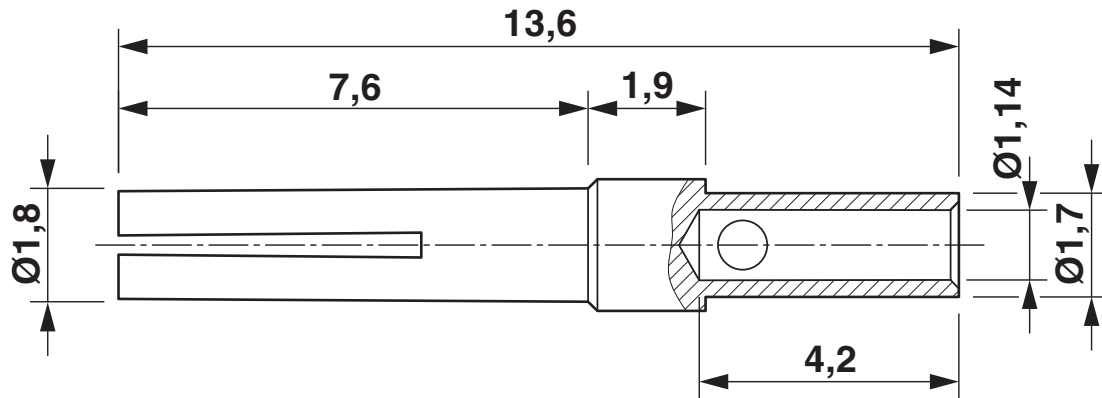


1418788

<https://www.phoenixcontact.com/gb/products/1418788>

## Drawings

Dimensional drawing



D-SUB crimp contact pin

# D-SUB crimp contact - CUC-DSC-J1BAU-S/DSC24



1418788

<https://www.phoenixcontact.com/gb/products/1418788>

## Approvals



**EAC**

Approval ID: B.01687

1418788

<https://www.phoenixcontact.com/gb/products/1418788>

## Classifications

### ECLASS

ECLASS-9.0	27440204
ECLASS-10.0.1	27440204
ECLASS-11.0	27440204

### ETIM

ETIM 8.0	EC000796
----------	----------

### UNSPSC

UNSPSC 21.0	39121500
-------------	----------

# D-SUB crimp contact - CUC-DSC-J1BAU-S/DSC24



1418788

<https://www.phoenixcontact.com/gb/products/1418788>

## Environmental Product Compliance

REACH SVHC	Lead 7439-92-1
China RoHS	Environmentally Friendly Use Period = 50 years
	For information on hazardous substances, refer to the manufacturer's declaration available under "Downloads"

# D-SUB crimp contact - CUC-DSC-J1BAU-S/DSC24



1418788

<https://www.phoenixcontact.com/gb/products/1418788>

## Accessories

### Crimping pliers with digital display

Crimping pliers with digital display - CRIMPFOX-TC MP - 1212510

<https://www.phoenixcontact.com/gb/products/1212510>



Crimping pliers, for turned contacts, universal cross section setting, up to a maximum of 2.5 mm<sup>2</sup>, digital display with 0.01 mm increments, pressure lock can be unlocked, including positioning tool

---

### D-SUB contact support

D-SUB contact support - VS-09-BU-DSUB-CD-B - 1688861

<https://www.phoenixcontact.com/gb/products/1688861>



D-SUB contact carrier, shell size 1, for nine signal contacts, type of contact socket, for crimp contacts, straight, fixing with a 3 mm hole, for panel mounting frame and sleeve housing VS-09-...



# D-SUB crimp contact - CUC-DSC-J1BAU-S/DSC24

1418788

<https://www.phoenixcontact.com/gb/products/1418788>

## D-SUB contact support

D-SUB contact support - VS-15-BU-DSUB-CD-OG - 1688942

<https://www.phoenixcontact.com/gb/products/1688942>



D-SUB contact carrier, shell size 2, for 15 signal contacts, type of contact socket, for crimp contacts, straight, fixing with a 3 mm hole, for panel mounting frame and sleeve housing VS-15-...

---

## D-SUB contact support

D-SUB contact support - VS-25-BU-DSUB-CD-B - 1689967

<https://www.phoenixcontact.com/gb/products/1689967>



D-SUB contact carrier, shell size 3, for 25 signal contacts, type of contact socket, for crimp contacts, straight, fixing with a 3 mm hole, for panel mounting frame and sleeve housing VS-25-...

# D-SUB crimp contact - CUC-DSC-J1BAU-S/DSC24

1418788

<https://www.phoenixcontact.com/gb/products/1418788>

## D-SUB contact support

D-SUB contact support - VS-09-BU-DSUB-CD-G - 1688845

<https://www.phoenixcontact.com/gb/products/1688845>



D-SUB contact carrier, shell size 1, for nine signal contacts, type of contact socket, for crimp contacts, straight, fixing with M thread, for panel mounting frame VS-09-...

---

## D-SUB contact support

D-SUB contact support - VS-15-BU-DSUB-CD-MG - 1688926

<https://www.phoenixcontact.com/gb/products/1688926>



D-SUB contact carrier, shell size 2, for 15 signal contacts, type of contact socket, for crimp contacts, straight, fixing with M3 thread, for panel mounting frame VS-15-...

# D-SUB crimp contact - CUC-DSC-J1BAU-S/DSC24



1418788

<https://www.phoenixcontact.com/gb/products/1418788>

## D-SUB contact support

D-SUB contact support - VS-25-BU-DSUB-CD-G - 1689941

<https://www.phoenixcontact.com/gb/products/1689941>

D-SUB contact carrier, shell size 3, for 25 signal contacts, type of contact socket, for crimp contacts, straight, fixing with M3 thread, for panel mounting frame VS-25-...



---

## Tool

Tool - VS-IET-DSUB-SIGNAL-STD - 1658794

<https://www.phoenixcontact.com/gb/products/1658794>

Insertion/extraction tool, to insert and extract the D-SUB standard signal contacts



---

Phoenix Contact 2022 © - all rights reserved  
<https://www.phoenixcontact.com>

PHOENIX CONTACT Ltd  
Halesfield 13, Telford  
Shropshire, TF7 4PG  
01952 681700  
[info@phoenixcontact.co.uk](mailto:info@phoenixcontact.co.uk)