

SACC-DSI-FSD-4CON-L180/SCO SH - Device connector, rear mounting



1553006

<https://www.phoenixcontact.com/us/products/1553006>

Please be informed that the data shown in this PDF document is generated from our online catalog. Please find the complete data in the user documentation. Our general terms of use for downloads are valid.



Device connector, rear mounting, Ethernet, 4-position, Socket, straight, M12-SPEEDCON, coding: D, Rear mounting, Pg9, Solder pins, Alternative product in accordance with RoHS II without Exemption 6c (Pb <0.1%) item no.: 1237413

Your advantages

- Easy PCB assembly: one-piece connectors for wave soldering
- All standard pin assignments and codings for signal, data, and power transmission with a uniform design-in design
- SPEEDCON fast locking system reduces cabling times
- For high transmission reliability: optional shield connection to the housing by means of shield contact

Commercial data

Item number	1553006
Packing unit	1 pc
Minimum order quantity	20 pc
Sales key	AB26
Product key	ABQEHD
Catalog page	Page 247 (C-2-2013)
GTIN	4046356162180
Weight per piece (including packing)	13.677 g
Weight per piece (excluding packing)	13.677 g
Customs tariff number	85366990
Country of origin	DE

SACC-DSI-FSD-4CON-L180/SCO SH - Device connector, rear mounting



1553006

<https://www.phoenixcontact.com/us/products/1553006>

Technical data

Notes

General	The electrical and mechanical data specified assume that the connector pair is correctly locked and mounted. If the connector is unlocked and if there is a danger of contamination, the connector must be sealed using a protective cap > IP54. Influences arising from litz wires, cables or PCB assembly must also be taken into consideration.
General	Lock nut is included in the scope of delivery

Mounting

Mounting type	Rear mounting Pg9 With locking nut
Assembly instructions	With locking nut
Connection method	Solder pins

Product properties

Product type	Circular connectors (device side)
Sensor type	Ethernet
Number of positions	4
Shielded	yes
Coding	D
Thread type	M12

Insulation characteristics

Overvoltage category	II
Degree of pollution	3

Dimensions

Dimensional drawing	
Length of the solder pin	6 mm
	6 mm

Material specifications

Flammability rating according to UL 94	V0
Seal material	FKM
Contact material	CuZn
Contact surface material	Ni/Au
Contact carrier material	PA 6.6
Material for screw connection	Zinc die-cast, nickel-plated

SACC-DSI-FSD-4CON-L180/SCO SH - Device connector, rear mounting



1553006

<https://www.phoenixcontact.com/us/products/1553006>

Electrical properties

Rated surge voltage	2.5 kV
Contact resistance	≤ 3 mΩ
Insulation resistance	≥ 100 MΩ
Nominal voltage U_N	250 V
Nominal current I_N	4 A

Connection data

Conductor connection

Connection method	Solder pins
Contact connection type	Socket
Tightening torque	2 Nm 3 Nm

Mechanical properties

Mechanical data

Insertion/withdrawal cycles	> 100
-----------------------------	-------

Connector

Connection 1

Head design	Socket
Head cable outlet	straight
Head thread type	M12
Head locking type	SPEEDCON
Coding	D

Cable/line

Signal type/category	Ethernet
----------------------	----------

Environmental and real-life conditions

Ambient conditions

Degree of protection	IP67 (When plugged in) IP65 (When plugged in) IP65/IP67
Ambient temperature (operation)	-25 °C ... 85 °C -40 °C ... 85 °C (without mechanical actuation)

Standards and regulations

M12

Standard designation	M12 connector
----------------------	---------------

SACC-DSI-FSD-4CON-L180/SCO SH - Device connector, rear mounting



1553006

<https://www.phoenixcontact.com/us/products/1553006>

Standards/specifications

IEC 61076-2-101

SACC-DSI-FSD-4CON-L180/SCO SH - Device connector, rear mounting

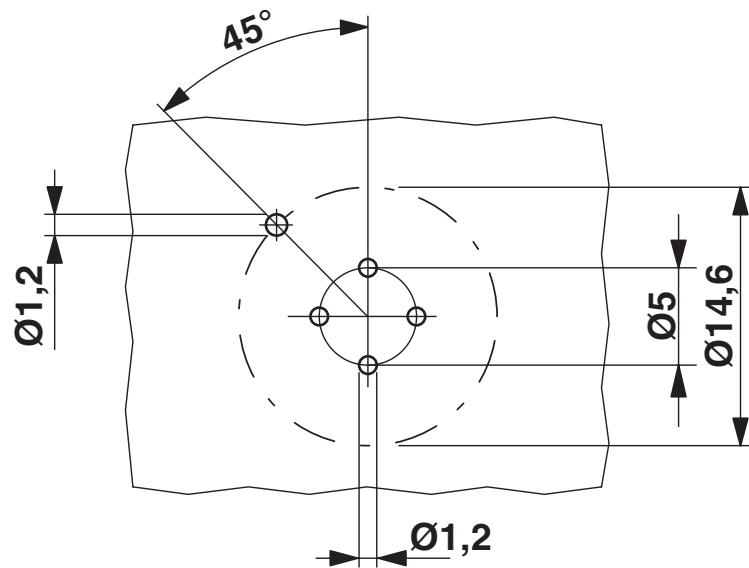


1553006

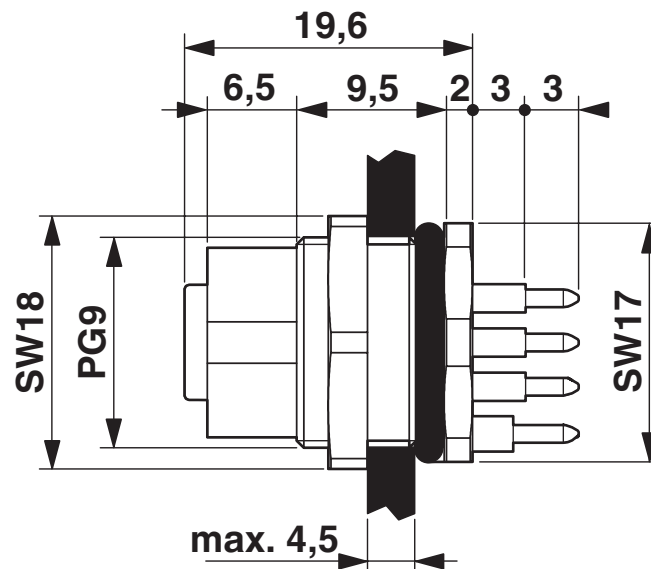
<https://www.phoenixcontact.com/us/products/1553006>

Drawings

Drilling plan/solder pad geometry



Dimensional drawing



Dimensional drawing

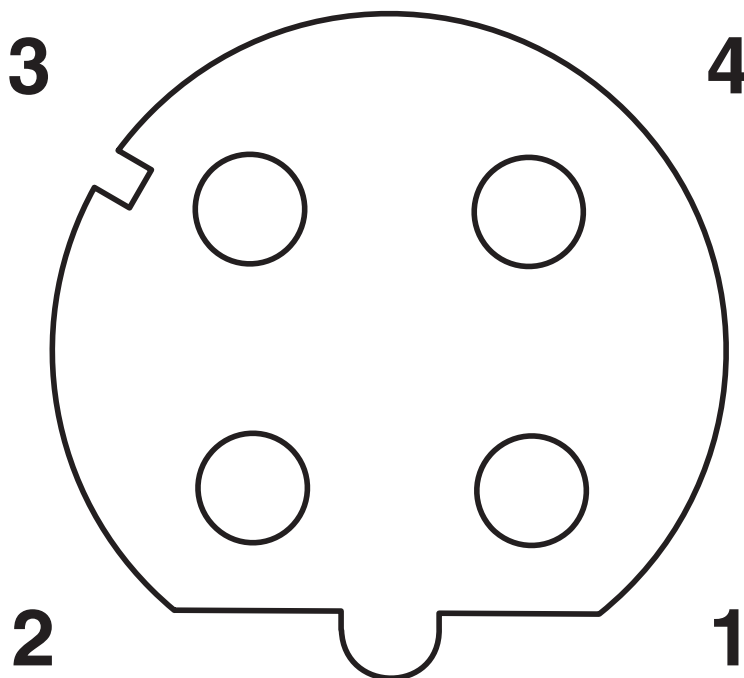
SACC-DSI-FSD-4CON-L180/SCO SH - Device connector, rear mounting



1553006

<https://www.phoenixcontact.com/us/products/1553006>

Schematic diagram



Pin assignment M12 socket, 4-pos., D-coded, female side

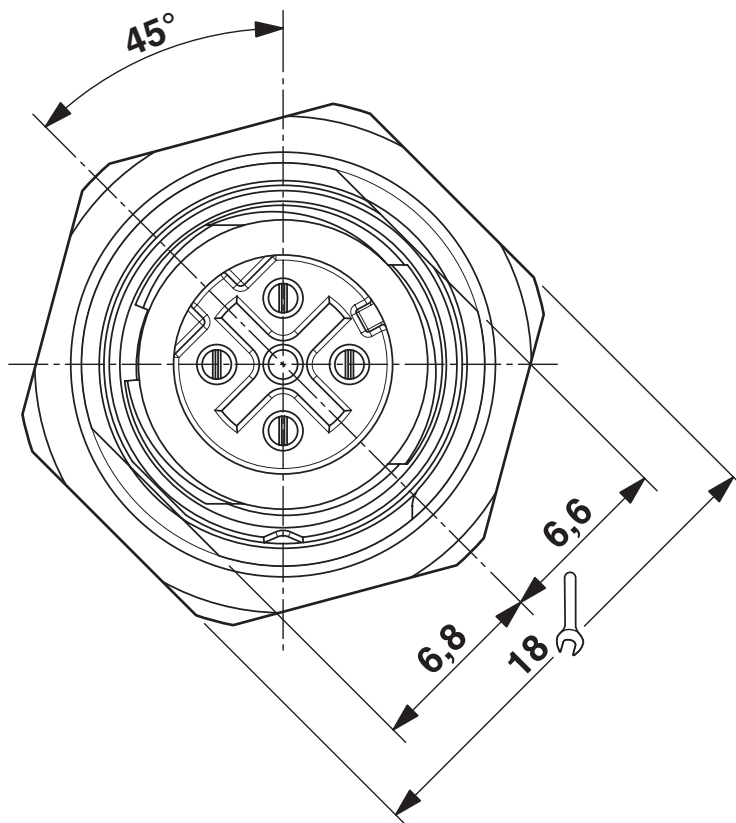
SACC-DSI-FSD-4CON-L180/SCO SH - Device connector, rear mounting



1553006

<https://www.phoenixcontact.com/us/products/1553006>

Dimensional drawing



M12 front view

SACC-DSI-FSD-4CON-L180/SCO SH - Device connector, rear mounting





1553006

<https://www.phoenixcontact.com/us/products/1553006>

Approvals

To download certificates, visit the product detail page: <https://www.phoenixcontact.com/us/products/1553006>

 UL Recognized Approval ID: E118976-20100522				
	Nominal voltage U_N	Nominal current I_N	Cross section AWG	Cross section mm^2
	250 V	4 A	- 22	-

 cULus Recognized Approval ID: E221474-20140616				
	Nominal voltage U_N	Nominal current I_N	Cross section AWG	Cross section mm^2
	250 V	4 A	22 - 20	-

SACC-DSI-FSD-4CON-L180/SCO SH - Device connector, rear mounting



1553006

<https://www.phoenixcontact.com/us/products/1553006>

Classifications

ECLASS

ECLASS-11.0	27440102
ECLASS-12.0	27440116
ECLASS-13.0	27440116

ETIM

ETIM 9.0	EC002635
----------	----------

UNSPSC

UNSPSC 21.0	39121400
-------------	----------

SACC-DSI-FSD-4CON-L180/SCO SH - Device connector, rear mounting



1553006

<https://www.phoenixcontact.com/us/products/1553006>

Environmental product compliance

REACH SVHC	Lead 7439-92-1
China RoHS	Environmentally Friendly Use Period = 50 years
	For information on hazardous substances, refer to the manufacturer's declaration available under "Downloads"

SACC-DSI-FSD-4CON-L180/SCO SH - Device connector, rear mounting



1553006

<https://www.phoenixcontact.com/us/products/1553006>

Accessories

SACC-PG9-SEAL CLM - Flat gasket

1556320

<https://www.phoenixcontact.com/us/products/1556320>

Pg9 flat gasket, for M12 flush-type connectors with Pg9 fastening thread



PROT-M12 - Screw plug

1680539

<https://www.phoenixcontact.com/us/products/1680539>

An M12 screw plug for the unoccupied M12 sockets of the sensor/actuator cable, boxes and flush-type connectors



SACC-DSI-FSD-4CON-L180/SCO SH - Device connector, rear mounting



1553006

<https://www.phoenixcontact.com/us/products/1553006>

PROT-M12 SH - Screw plug

1503302

<https://www.phoenixcontact.com/us/products/1503302>



An M12 screw plug for the unoccupied M12 sockets of the shielded sensor/actuator cable, boxes and flush-type connectors

PROT-M12 FB - Screw plug

1555538

<https://www.phoenixcontact.com/us/products/1555538>



M12 high-grade steel screw plug, for unoccupied M12 sockets of the sensor/actuator cables, boxes and flush-type connectors for the food industry

Phoenix Contact 2023 © - all rights reserved

<https://www.phoenixcontact.com>

Phoenix Contact USA
586 Fulling Mill Road
Middletown, PA 17057, United States
(+717) 944-1300
info@phoenixcon.com