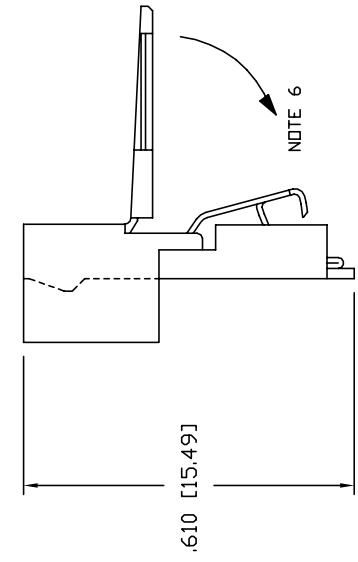
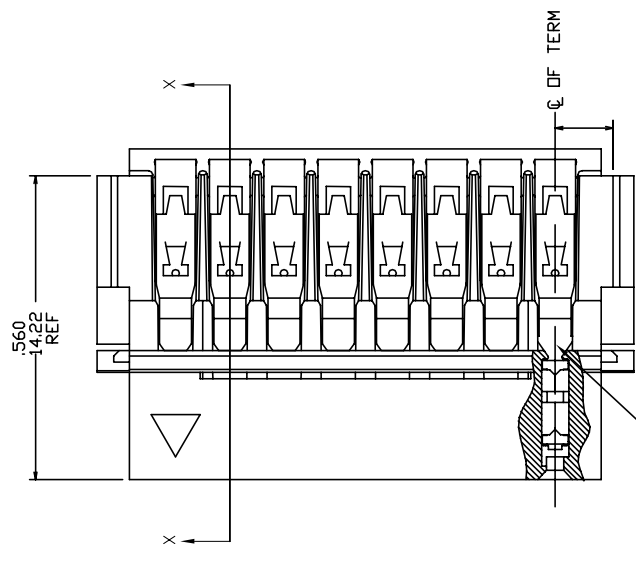
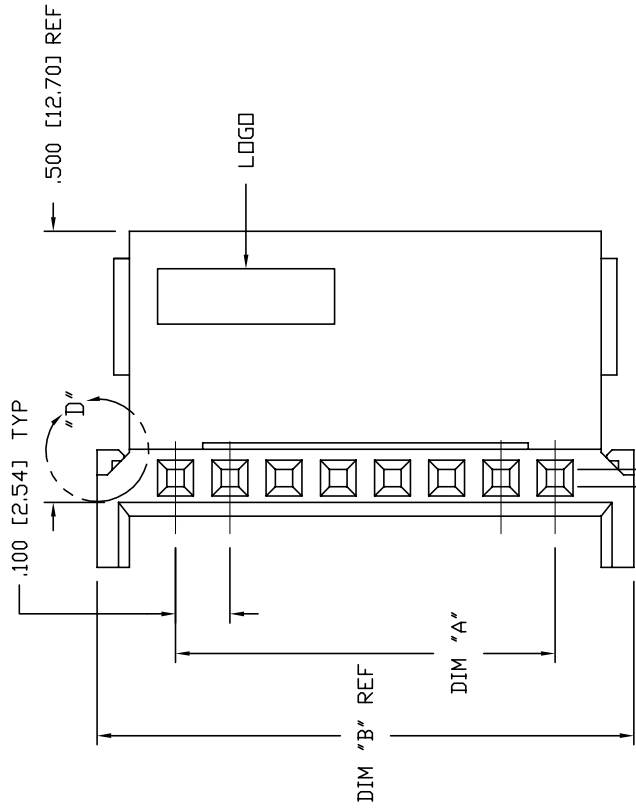
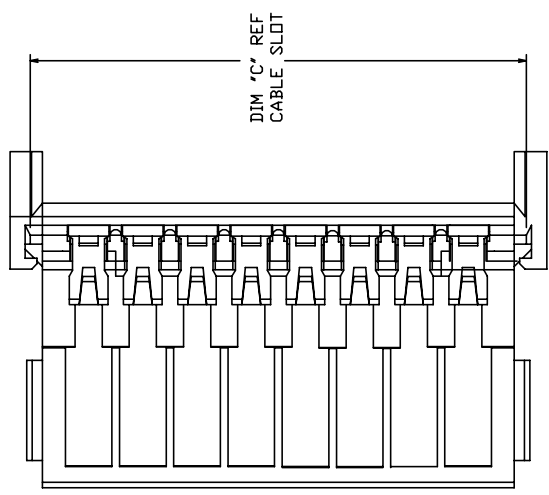


PRODUCT NUMBER  
SEE TABLE



DETAIL "D"



mat'l. code		surface		tolerance		projection		product family	
ISD 1302		ISD 1101		406		INCH/MM		CLINCHER	
tr/ecln n°dr		date		tolerances unless otherwise specified		scale		title	
M BX-H-01049		ZK 06/03/12		linea		3:1		CLINCHER™ RECEPTACLE ASSEMBLY-LATCHING	
G V50244		HTB 2/14/95		.001/0.003		3:1		dwg no	
H V51638		HTB 12/29/95		.001/0.003		3:1		67516	
J IM05-0087		MHT 6/17/05		.001/0.003		3:1		sheet of 6	
K IM06-0233		AGS 06/12/06		.001/0.003		3:1		A3	
L IM07-0170		MHT 3/30/07		.001/0.003		3:1		type	
sheet		revisio		M		M		Product Customer Drawing	
index		sheet		M		M		Drawing	
		1		2		3		4	
		5		6		7		8	

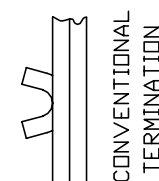
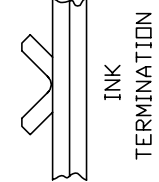
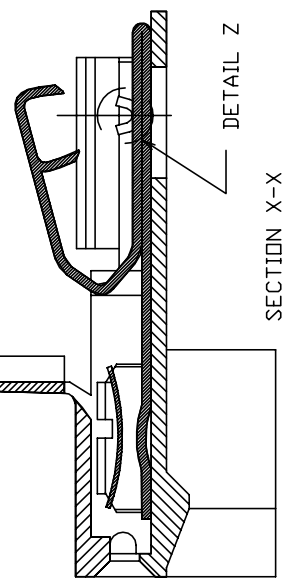
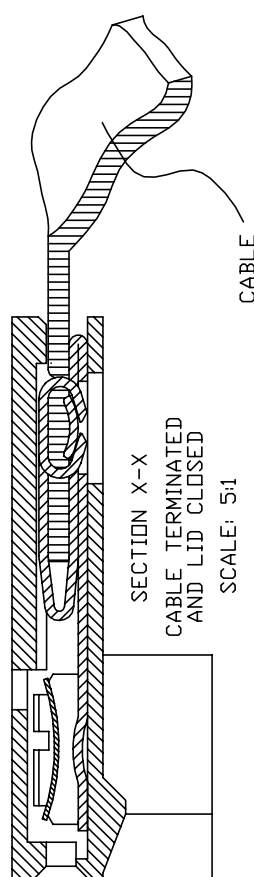
1	2	3	4	5	6
PLATING AVAILABLE					
TERMINAL					
1	100u"/2.54u MIN. THICK PURE TIN	SPRING			
2	30u"/.76u MIN. GOLD OR GXT STRIPE IN BOX AREA	NOTE 12	10u"/.25u MIN. THICK PURE TIN		
			3u"/.08u MIN. GOLD OVER 50u"/1.27u MIN. NICKEL		

PRODUCT NUMBER  
67516-XXXLF

LEAD FREE OPTION  
NOTE 9,10

NO OF POSITIONS  
AND PLATING

BASE PART NUMBER



- NOTES:
- HOUSING MATERIAL: THERMOPLASTIC, FLAME RETARDANT PER UL 94V-0. COLOR: BLUE.
  - TERMINAL MATERIAL: 1/2 HARD Cu Ni ALLOY, UNS-C72500.
  - TERMINAL PLATING: SEE TABLE.
  - SEE TA-372 FOR CRIMP HEIGHT.
  - FOR CABLE & CIRCUITRY INFORMATION SEE TA-264 AND TA-371.
  - LATCH SNAPS CLOSED AFTER TERMINATION MAINTAINING A MAX OVER ALL HEIGHT OF .100/2.54.
  - NO CENTER HINGE 2 THRU 8 POSITIONS. SINGLE CENTER HINGE 9 THRU 15 POSITIONS. TWO CENTER HINGES FOR 16 POSITION PARTS.
  - KNURL MARK INDICATES FOR USE WITH INK TERMINATION. CONSULT WITH BERG ELECTRONICS TECHNICAL REPRESENTATIVE FOR SPECIFIC APPLICATIONS.
  - ADD "LF" SUFFIX AT THE END OF PART NUMBER FOR LEAD FREE OPTION.
  - THIS PRODUCT MEETS EUROPEAN UNION DIRECTIVES AND OTHER COUNTRY REGULATION AS DESCRIBED IN GS-22-008. THE PRODUCT IS NOT INTENDED TO BE EXPOSED TO A MANUFACTURING SOLDER PROCESS
  - PLATING OPTION MAY BE EITHER GOLD OR GXT PLATED AT MANUFACTURER'S OPTION.

mat'l. code	surface	tolerance	projection	product family
tr/elec n04r	ISO 1302	ISO 406	ISO 1101	CLINCHER
M	tolerances unless otherwise specified			title
	angles	line ar	INCH/MM	CLINCHER™ RECEPTACLE ASSEMBLY-LATCHING
	0°±2'	XXXL005/0XXX0061	scale 3:1	dwg no 67516
	dr	M. FETROW	9/15/94	sheet 2 of 6
	engr	T. HANNA	9/15/94	A3
	chr	T. BREWBAKER	9/15/94	Product Customer Drawing
sheet index	revision	appd	T. HANNA	9/15/94
	sheet			
	index			

PRODUCT NUMBER	NO. OF	DIM. A	DIM. B	DIM. C	DIM. A	DIM. B	DIM. C	DIM. A	DIM. B	DIM. C	DIM. A	DIM. B	DIM. C	PLATING	TERMINATION
NOTE 9	POS.	ENGLISH	METRIC	ENGLISH	METRIC	ENGLISH	METRIC	ENGLISH	METRIC	ENGLISH	METRIC	ENGLISH	METRIC	CODE	NOTE 8
67516-001		0.100	2.54	0.390	9.91	0.315	8.00						1		CONVENTIONAL
67516-002	2	0.200	5.08	0.490	12.45	0.415	10.54						1		CONVENTIONAL
67516-003	3	0.300	7.62	0.590	14.99	0.515	13.08						1		CONVENTIONAL
67516-004	4	0.400	10.16	0.690	17.53	0.615	15.62						1		CONVENTIONAL
67516-005	5	0.500	12.70	0.790	20.07	0.715	18.16						1		CONVENTIONAL
67516-006	6	0.600	15.24	0.890	22.61	0.815	20.70						1		CONVENTIONAL
67516-007	7	0.700	17.78	0.990	25.15	0.915	23.24						1		CONVENTIONAL
67516-008	8	0.800	20.32	1.090	27.69	1.015	25.78						1		CONVENTIONAL
67516-009	9	0.900	22.86	1.190	30.23	1.115	28.32						1		CONVENTIONAL
67516-010	10	1.000	25.40	1.290	32.77	1.215	30.86						1		CONVENTIONAL
67516-011	11	1.100	27.94	1.390	35.31	1.315	33.40						1		CONVENTIONAL
67516-012	12	1.200	30.48	1.490	37.85	1.415	35.94						1		CONVENTIONAL
67516-013	13	1.300	33.02	1.590	40.39	1.515	38.48						1		CONVENTIONAL
67516-014	14	1.400	35.56	1.690	42.93	1.615	41.02						1		CONVENTIONAL
67516-015	15	1.500	38.10	1.790	45.47	1.715	43.56						1		CONVENTIONAL
67516-016	16														

mat'l. code		surface		tolerance		projection		product family	
tr	ec	no	dr	ISO 1302	ISO 406	ISO 1101	1st angle	CLINCHER	CLINCHER
M				tolerances unless otherwise specified				title	
				angles	XXL01/03AA3	XXL105/03AA13	INCH/MM	CLINCHER™ RECEPTACLE	
				0°±2°	XXXXL009/00000061		scale 3:1	ASSEMBLY-LATCHING	
				dr	M. FETROW	9/15/94		dwg no 67516 sheet 3 of 6 size A3	
				engr	T. HANNA	9/15/94		type Product Customer Drawing	
				chr	T.BREWBAKER	9/15/94			
				appd	T.HANNA	9/15/94			
sheet index	revision								

4 PDS: Rev :IM

STATUS: Released

Printed: Mar 07, 2012

PRODUCT NUMBER	NO. OF POS.	DIM. A ENGLISH	DIM. A METRIC	DIM. B ENGLISH	DIM. B METRIC	DIM. C ENGLISH	DIM. C METRIC	DIM. C PLATING CODE	TERMINATION
NOTE 9		U N A S S I G N E D							NOTE 8
67516-201	2	0.100	2.54	0.390	9.91	0.315	8.00	2	CONVENTIONAL
67516-202	3	0.200	5.08	0.490	12.45	0.415	10.54	2	CONVENTIONAL
67516-203	4	0.300	7.62	0.590	14.99	0.515	13.08	2	CONVENTIONAL
67516-204	5	0.400	10.16	0.690	17.53	0.615	15.62	2	CONVENTIONAL
67516-205	6	0.500	12.70	0.790	20.07	0.715	18.16	2	CONVENTIONAL
67516-206	7	0.600	15.24	0.890	22.61	0.815	20.70	2	CONVENTIONAL
67516-207	8	0.700	17.78	0.990	25.15	0.915	23.24	2	CONVENTIONAL
67516-208	9	0.800	20.32	1.090	27.69	1.015	25.78	2	CONVENTIONAL
67516-209	10	0.900	22.86	1.190	30.23	1.115	28.32	2	CONVENTIONAL
67516-210	11	1.000	25.40	1.290	32.77	1.215	30.86	2	CONVENTIONAL
67516-211	12	1.100	27.94	1.390	35.31	1.315	33.40	2	CONVENTIONAL
67516-212	13	1.200	30.48	1.490	37.85	1.415	35.94	2	CONVENTIONAL
67516-213	14	1.300	33.02	1.590	40.39	1.515	38.48	2	CONVENTIONAL
67516-214	15	1.400	35.56	1.690	42.93	1.615	41.02	2	CONVENTIONAL
67516-215	16	1.500	38.10	1.790	45.47	1.715	43.56	2	CONVENTIONAL

mat'l. code		surface / tolerance		projection		product family	
ISD 1302	ISD 406	ISD 1101	ISD 1101	1st angle	1st angle	CLINCHER	CLINCHER
tolerances unless otherwise specified		tolerances unless otherwise specified		title		CLINCHER™ RECEPTACLE ASSEMBLY-LATCHING	
angles	linea	INCH/MM	scale 3:1	dwg no		sheet 4 of 6 size	
0°±2°	M. FETROW	9/15/94		67516		A3	
engr T. HANNA	9/15/94			Product Customer Drawing			
chr T. BREWBAKER	9/15/94						
appd T. HANNA	9/15/94						
sheet index	revision	sheet					

PRODUCT NUMBER	NO. OF	DIM. A	DIM. B	DIM. C	DIM. A	DIM. B	DIM. C	DIM. A	DIM. B	DIM. C	DIM. A	DIM. B	DIM. C	PLATING	TERMINATION
NOTE 9	POS.	ENGLISH	METRIC	ENGLISH	METRIC	ENGLISH	METRIC	ENGLISH	METRIC	ENGLISH	METRIC	ENGLISH	METRIC	CODE	NOTE 8
67516-501		0.100	2.54	0.390	9.91	0.315	8.00						1		INK
67516-502	2	0.200	5.08	0.490	12.45	0.415	10.54						1		INK
67516-503	3	0.300	7.62	0.590	14.99	0.515	13.08						1		INK
67516-504	4	0.400	10.16	0.690	17.53	0.615	15.62						1		INK
67516-505	5	0.500	12.70	0.790	20.07	0.715	18.16						1		INK
67516-506	6	0.600	15.24	0.890	22.61	0.815	20.70						1		INK
67516-507	7	0.700	17.78	0.990	25.15	0.915	23.24						1		INK
67516-508	8	0.800	20.32	1.090	27.69	1.015	25.78						1		INK
67516-509	9	0.900	22.86	1.190	30.23	1.115	28.32						1		INK
67516-510	10	1.000	25.40	1.290	32.77	1.215	30.86						1		INK
67516-511	11	1.100	27.94	1.390	35.31	1.315	33.40						1		INK
67516-512	12	1.200	30.48	1.490	37.85	1.415	35.94						1		INK
67516-513	13	1.300	33.02	1.590	40.39	1.515	38.48						1		INK
67516-514	14	1.400	35.56	1.690	42.93	1.615	41.02						1		INK
67516-515	15	1.500	38.10	1.790	45.47	1.715	43.56						1		INK
67516-516	16														

mat'l. code		surface		tolerance		projection		product family	
tr	ec	no	dr	date	ISD 1302	ISD 406	ISD 1101	INCH/MM	CLINCHER
M					tolerances unless otherwise specified			INCH/MM	CLINCHER™ RECEPTACLE ASSEMBLY-LATCHING
					angles	line	scale 1:3		
					0°±2°				
					dr	M. FETROW	9/15/94	dwg no	sheet 5 of 6
					engr	T. HANNA	9/15/94	67516	A3
					chr	T. BREWBAKER	9/15/94	Product	Customer Drawing
					appd	T. HANNA	9/15/94		
sheet index	revision								

PRODUCT NUMBER	NO. OF	DIM. A	DIM. A	DIM. B	DIM. B	DIM. C	DIM. C	DIM. C	PLATING	TERMINATION
NOTE 9	POS.	ENGLISH	METRIC	ENGLISH	METRIC	ENGLISH	METRIC	METRIC	CODE	NOTE 8
67516-701		0.100	2.54	0.390	9.91	0.315	8.00		2	INK
67516-702	2	0.200	5.08	0.490	12.45	0.415	10.54		2	INK
67516-703	3	0.300	7.62	0.590	14.99	0.515	13.08		2	INK
67516-704	4	0.400	10.16	0.690	17.53	0.615	15.62		2	INK
67516-705	5	0.500	12.70	0.790	20.07	0.715	18.16		2	INK
67516-706	6	0.600	15.24	0.890	22.61	0.815	20.70		2	INK
67516-708	8	0.700	17.78	0.990	25.15	0.915	23.24		2	INK
67516-709	9	0.800	20.32	1.090	27.69	1.015	25.78		2	INK
67516-710	10	0.900	22.86	1.190	30.23	1.115	28.32		2	INK
67516-711	11	1.000	25.40	1.290	32.77	1.215	30.86		2	INK
67516-712	12	1.100	27.94	1.390	35.31	1.315	33.40		2	INK
67516-713	13	1.200	30.48	1.490	37.85	1.415	35.94		2	INK
67516-714	14	1.300	33.02	1.590	40.39	1.515	38.48		2	INK
67516-715	15	1.400	35.56	1.690	42.93	1.615	41.02		2	INK
67516-716	16	1.500	38.10	1.790	45.47	1.715	43.56		2	INK

mat'l. code		surface / tolerance		projection		product family	
tr	ec	ns	406	1:3	1:3	CLINCHER	CLINCHER
date		tolerances unless otherwise specified		title		CLINCHER™ RECEPTACLE ASSEMBLY-LATCHING	
date		angles		INCH/MM		dwg no 67516 sheet 6 of 6 size A3	
date		line		scale 1:3		type Product Customer Drawing	
date		0°±2°		FGJ			
date		M. FETROW 9/15/94					
date		engr T. HANNA 9/15/94					
date		chr T. BREWBAKER 9/15/94					
date		appd T. HANNA 9/15/94					
sheet index	revision						
sheet	sheet						