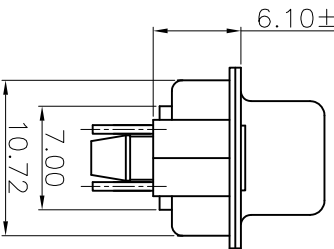


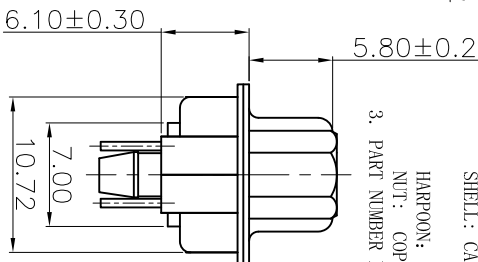
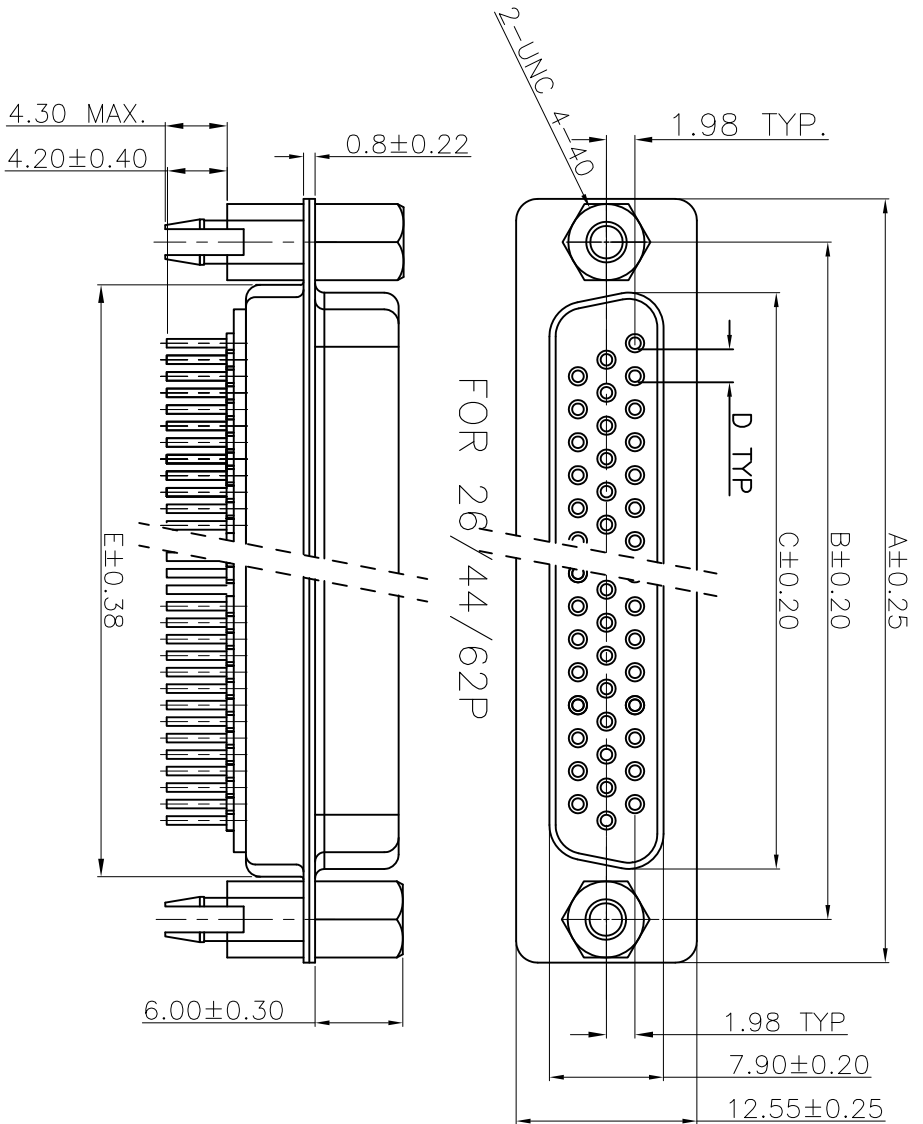
FOR 15P

FOR 26/44/62P

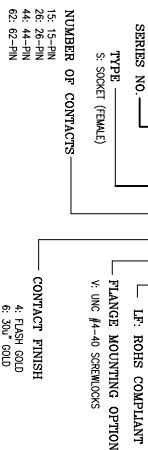
mat'l. code		dr		date		tolerances unless otherwise specified		CUSTOMER COPY		title		product family		code	
A T09-1156 J.H		J.H		12/10/09		.XX ± 0.25		H/D D-SUB FEMALE STRAIGHT		H/D D-SUB FEMALE STRAIGHT		D-SUB		TMN	
B T10-0164 J.H		J.H		10/19/10		.XXX ± 0.10		projection		MM		size/ dwg no		1 of 5	
						0° ±2°		1:1		A4		10090929			
sheet		revision		sheet		index		sheet		sheet		sheet		sheet	
1		B		1		1		B		B		B		B	
2		B		2		2		B		B		B		B	
3		B		3		3		B		B		B		B	
4		B		4		4		B		B		B		B	
5		B		5		5		B		B		B		B	
3															
code		code		code		code		code		code		code		code	
10090929		10090929		10090929		10090929		10090929		10090929		10090929		10090929	



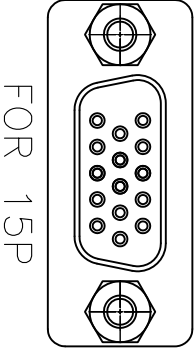
- REMARK:
1. CHARACTERISTICS:  
 RATED VOLTAGE: 250V  
 RATED CURRENT: 2.5AMP  
 CONTACT RESISTANCE: 250ohms MAX. INITIAL, 40ohms MAX. AFTER  
 INSULATION RESISTANCE: 5000Mohms MIN. at 500V DC  
 DIELECTRIC STRENGTH: 750Vrms  
 OPERATING TEMPERATURE RANGE: -55° C~105° C  
 INSERTION/EXTRACTION FORCE PER CONTACT: 5N Max./0.2N Min.  
 MATING/UNMATING CYCLES: 200MATING MIN FOR GOLD-FLASH 500MATING MIN FOR 30u" GOLD.
2. MATERIAL:  
 INSULATORS: THERMOPLASTIC G.F.(U94V-0) BLACK  
 CONTACTS: COPPER ALLOY GOLD(G/F or 30u") TOP OVER CONTACT AREA, 100u" Min MATTE TIN TOP OVER SOLDER AREA, 50u" Min NICKEL UNDER PLATE.  
 SHELL: CARBON STEEL, 100u" Min NICKEL TOP OVER, 50u" Min COPPER UNDER PLATE.  
 HARPOON: COPPER ALLOY, 100u" Min MATTE TIN PLATED.
3. PART NUMBER DESCRIPTION: **10090929-S XX X X LP**
- SERIES NO. **10090929-S XX X X LP**
- TYPE \_\_\_\_\_
- S: SOCKET (FEMALE) \_\_\_\_\_
- LF: ROHS COMPLIANT \_\_\_\_\_
- CONTACT FINISH \_\_\_\_\_
- 15: 15-PIN \_\_\_\_\_
- 26: 26-PIN \_\_\_\_\_
- 44: 44-PIN \_\_\_\_\_
- 62: 62-PIN \_\_\_\_\_
- 4: FLASH GOLD \_\_\_\_\_
- 6: 30u" GOLD \_\_\_\_\_
- X: IUC #4-40 CLIMCHINS \_\_\_\_\_
- L: M3 CLIMCHINS \_\_\_\_\_
- FLANGE MOUNTING OPTION \_\_\_\_\_



- REMARK:
1. CHARACTERISTICS:  
 RATED VOLTAGE: 250V  
 RATED CURRENT: 2.5AMP  
 CONTACT RESISTANCE: 25mohms MAX. INITIAL, 40mohms MAX. AFTER  
 INSULATION RESISTANCE: 5000Mohms MIN. at 500V DC  
 DIELECTRIC STRENGTH: 750VRMS  
 OPERATING TEMPERATURE RANGE:  $-55^{\circ}\text{C} \sim 105^{\circ}\text{C}$   
 INSERTION/EXTRACTION FORCE PER CONTACT: 5N Max. /0.2N Min.  
 MATING/UNMATING CYCLES: 200MATING MIN FOR GOLD-FLASH 500MATING MIN FOR 30u" GOLD.
2. MATERIAL:  
 INSULATORS: THERMOPLASTIC G.F (U194V-0) BLACK  
 CONTACTS: COPPER ALLOY, GOLD(G/F or 30U") TOP OVER CONTACT AREA, 100u" Min MATTE TIN TOP OVER SOLDER AREA, 50u" Min NICKEL UNDER PLATE.  
 SHELL: CARBON STEEL, 100u" Min NICKEL TOP OVER, 50u" Min COPPER UNDER PLATE.  
 HARPOON: COPPER ALLOY, 100u" Min MATTE TIN PLATED.  
 NUT: COPPER ALLOY, 50u" Min NICKEL PLATED.
3. PART NUMBER DESCRIPTION: **10090929-S XX X X LP**

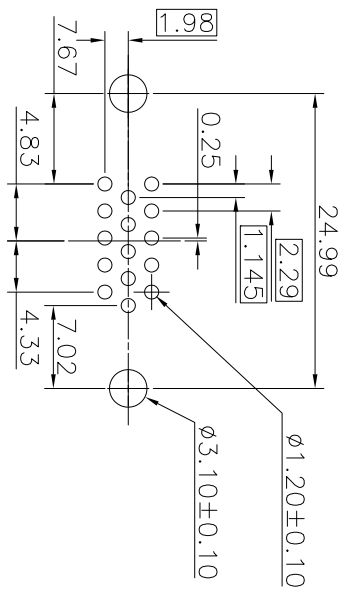


POS.	A	B	C	D	E
15	30.81	24.99	16.33	2.29	19.10
26	39.24	33.32	24.66	2.29	27.75
44	53.04	47.04	38.38	2.29	41.30
62	69.32	63.50	54.84	2.41	57.40

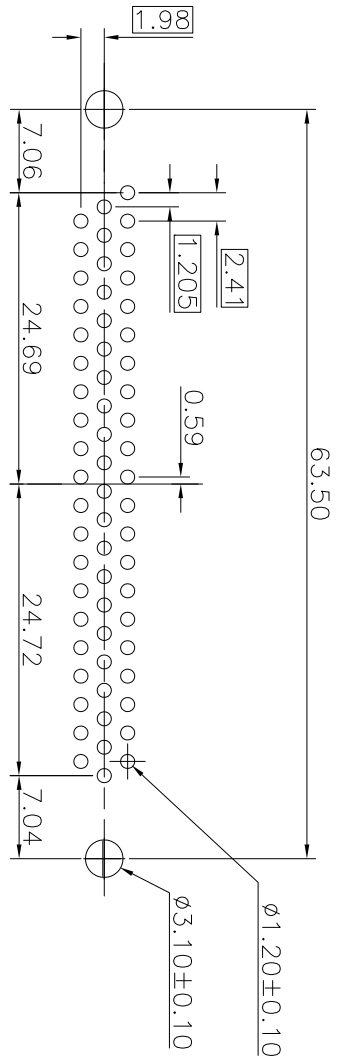


mat'l. code		dr		date		tolerances unless otherwise specified		projection		title	
ltr	ecn no	dr	date	lineor	.XX ± 0.38	dr	.XX ± 0.25	MM	H/D D-SUB FEMALE STRAIGHT	product family	D-SUB
B				angles	.XXX ± 0.10	engr	0° ± 2°	scale	1:1	size/ dwg no	10090929
				dr	JASON HSU	chr	GARY HSIEH	code		sheet	2 of 5
				engr	JASON HSU	appr	JOSEPH HSA	code		sheet	2 of 5
				chr	GARY HSIEH			code		sheet	2 of 5
				appr	JOSEPH HSA			code		sheet	2 of 5
sheet	revision							code		sheet	2 of 5
index	sheet							code		sheet	2 of 5

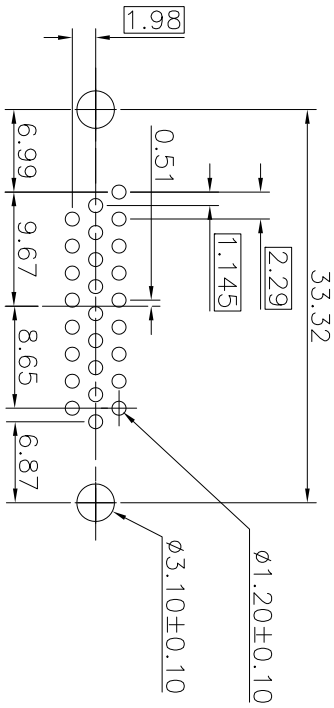




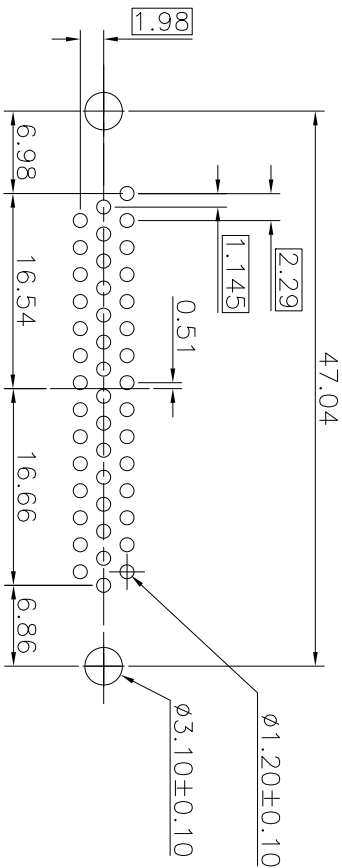
P.C.B LAYOUT(FOR 15P)



P.C.B LAYOUT(FOR 62P)



P.C.B LAYOUT(FOR 26P)



P.C.B LAYOUT(FOR 44P)

mat'l. code	ec'n no	dr	date	tolerances unless otherwise specified		CUSTOMER COPY	title
B				.X ± 0.38	.XX ± 0.25	projection	H/D D-SUB FEMALE STRAIGHT PCB
				.XXX ± 0.10	0° ± 2°	MM	product family D-SUB
						1:1	size: dwg no 10090929
sheet index	revision sheet						code sheet 3 of 5

1 | 2

ACAD

PDM: Rev:B

STATUS: Released Printed: Nov 02, 2010

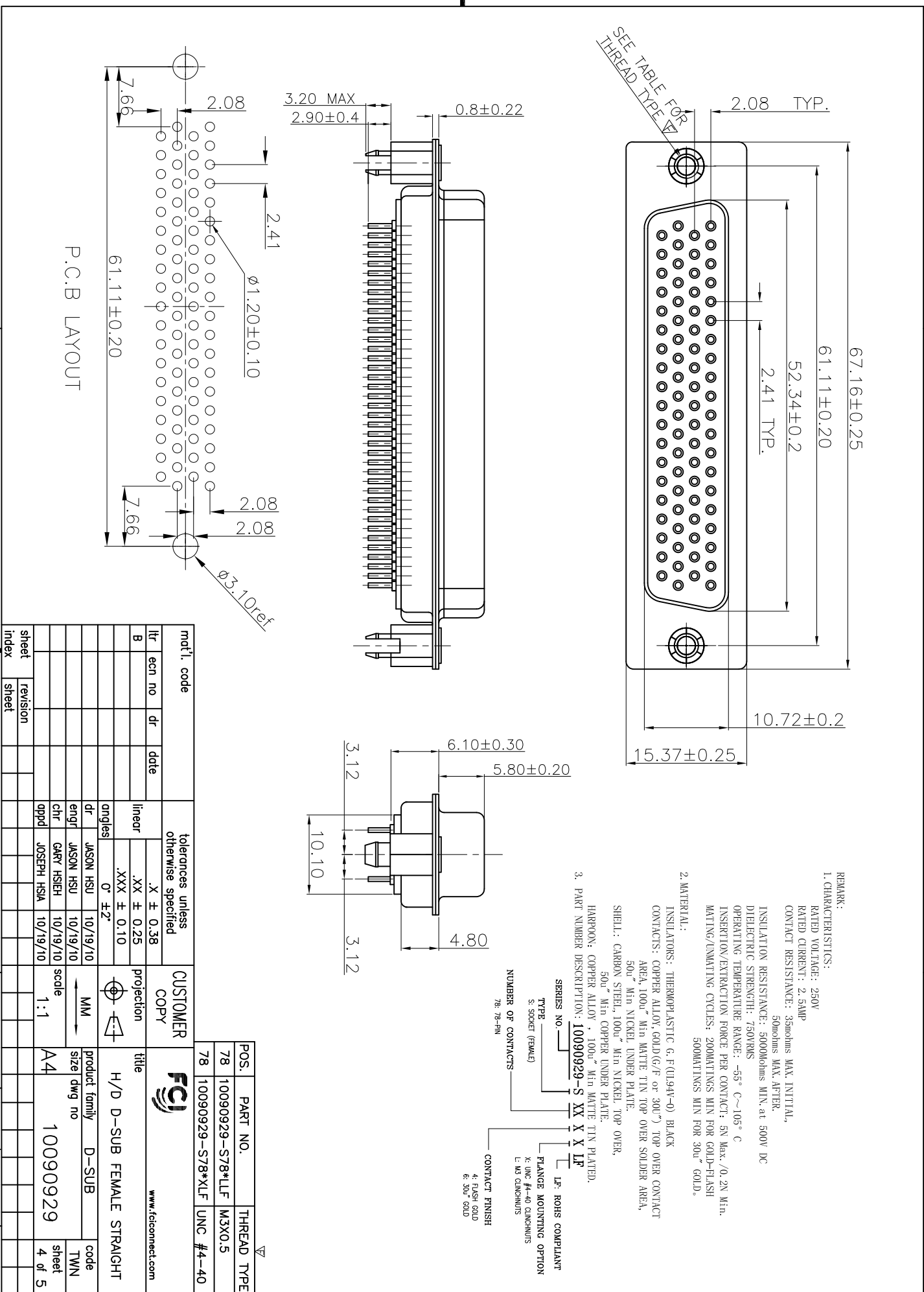
3

4

1 | 2

3

4



- REMARK:
- 1. CHARACTERISTICS:
    - RATED VOLTAGE: 250V
    - RATED CURRENT: 2.5AMP
    - CONTACT RESISTANCE: 35mohms MAX. INITIAL, 50mohms MAX. AFTER
    - INSULATION RESISTANCE: 5000Mohms MIN. at 500V DC
    - DIELECTRIC STRENGTH: 750V/MS
    - OPERATING TEMPERATURE RANGE: -55° C~105° C
    - INSERTION/EXTRACTION FORCE PER CONTACT: 5N Max./0.2N Min.
    - MATING/DMATING CYCLES: 200MATING MIN FOR GOLD-FLASH 500MATING MIN FOR 30u" GOLD.
  - 2. MATERIAL:
    - INSULATORS: THERMOPLASTIC G. F (U194V-0) BLACK
    - CONTACTS: COPPER ALLOY, (GOLD/G/F or 300") TOP OVER CONTACT AREA, 100u" Min MATTE TIN TOP OVER SOLDER AREA, 50u" Min NICKEL UNDER PLATE.
    - SHELL: CARBON STEEL, 100u" Min NICKEL TOP OVER, 50u" Min COPPER UNDER PLATE.
    - HARPOON: COPPER ALLOY, 100u" Min MATTE TIN PLATED.
  - 3. PART NUMBER DESCRIPTION: **10090929-S XX X X LP**

- TYPE \_\_\_\_\_
- S: SOCKET (FEMALE)
- NUMBER OF CONTACTS: \_\_\_\_\_
- 78: 78-PIN
- LF: ROHS COMPLIANT
- FLANGE MOUNTING OPTION
- X: UNC #4-40 CLINCHNUTS
- L: M3 CLINCHNUTS
- CONTACT FINISH:
  - 4: FLASH GOLD
  - 6: 30u" GOLD

mat'l. code	ecn no	dr	ddate	lineor	angles	projection	title
B				.XX ± 0.25	0° ±2°		H/D D-SUB FEMALE STRAIGHT

tolerances unless otherwise specified			CUSTOMER COPY			FCI		
.X ± 0.38	XXX ± 0.10	0° ±2°				product family	D-SUB	code
			dr	JASON HSU	10/19/10	size	10090929	sheet
			enfr	JASON HSU	10/19/10	scale	1:1	4 of 5
			chr	GARY HSIEH	10/19/10			
			appl	JOSEFH HSA	10/19/10			

sheet index	revision sheet	code
1	2	3

P.C.B. LAYOUT

1 | 2

ACAD

PDM: Rev:B

STATUS: Released

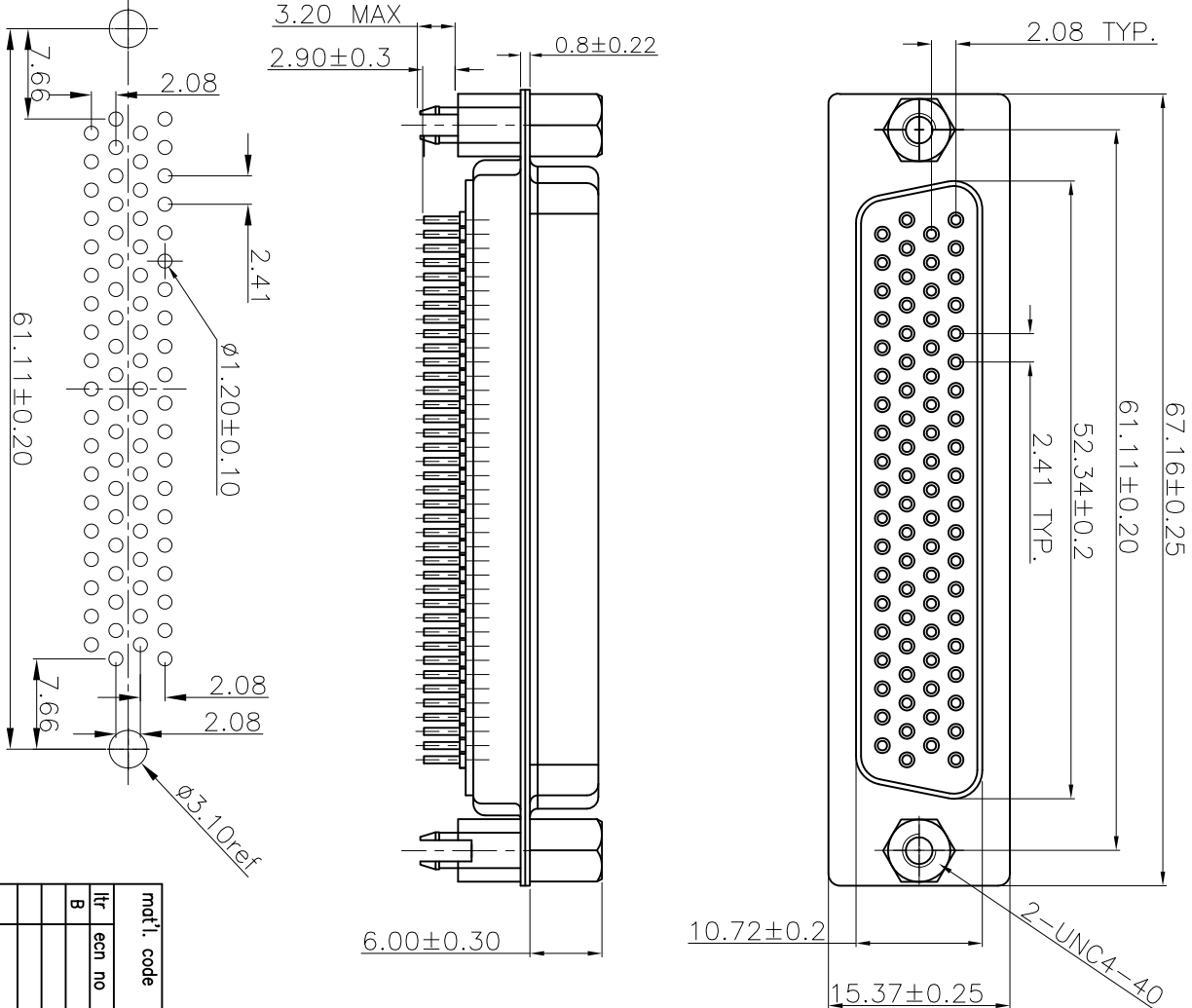
Printed: Nov 02, 2010

4

1 | 2

3 |

4



P.C.B LAYOUT

mat'l. code		tolerances unless otherwise specified		CUSTOMER COPY		FCI		title	
B		.XX ± 0.38		projection		H/D D-SUB FEMALE STRAIGHT		www.fciconnect.com	
ecn no		.XXX ± 0.10		MM		product family		D-SUB	
dr		0° ± 2°		1:1		size/ dwg no		10090929	
ddate		dr		scale		code		TNW	
		JASON HSU 10/19/10				sheet		5 of 5	
		engr JASON HSU 10/19/10				revision			
		chr GARY HSIEH 10/19/10				sheet			
		apprd JOSEPH HSA 10/19/10				index			

PART NO.: 10090929-S78\*VLF

- REMARK:
- 1. CHARACTERISTICS:
  - RATED VOLTAGE: 250V
  - RATED CURRENT: 2.5AMP
  - CONTACT RESISTANCE: 35milliohms MAX. INITIAL, 50milliohms MAX. AFTER.
  - INSULATION RESISTANCE: 5000Ohms MIN. at 500V DC
  - DIELECTRIC STRENGTH: 750VRMS
  - OPERATING TEMPERATURE RANGE: -55° C~105° C
  - INSERTION/EXTRACTION FORCE PER CONTACT: 5N Max./0.2N Min.
  - MATING/UNMATING CYCLES: 200MATING MIN FOR GOLD-FLASH 500MATING MIN FOR 30µ" GOLD.
- 2. MATERIAL:
  - INSULATORS: THERMOPLASTIC G.F.(UL94V-0). BLACK
  - CONTACTS: COPPER ALLOY, GOLD(G/F or 30µ") TOP OVER CONTACT AREA, 100µ" Min MATTE TIN TOP OVER SOLDER AREA, 50µ" Min NICKEL, UNDER PLATE.
  - SHELL: CARBON STEEL, 100µ" Min NICKEL TOP OVER, 50µ" Min COPPER UNDER PLATE.
  - HARPOON: COPPER ALLOY , 100µ" Min MATTE TIN PLATED.
  - NTR: COPPER ALLOY , 50µ" Min NICKEL PLATED.
- 3. PART NUMBER DESCRIPTION:
  - 10090929-S XX X X LP
    - SERIES NO.
    - TYPE (FORM)
    - S. SOCKET (FORM)
    - NUMBER OF CONTACTS
    - 76-78-9H
    - REF. ROHS COMPLIANT
    - FLANGE MOUNTING OPTION
    - V. UNC #4-40 SERWICKS
    - CONTACT FINISH
      - 4. FLASH GOLD
      - 6. 30µ" GOLD