

15

1503 29

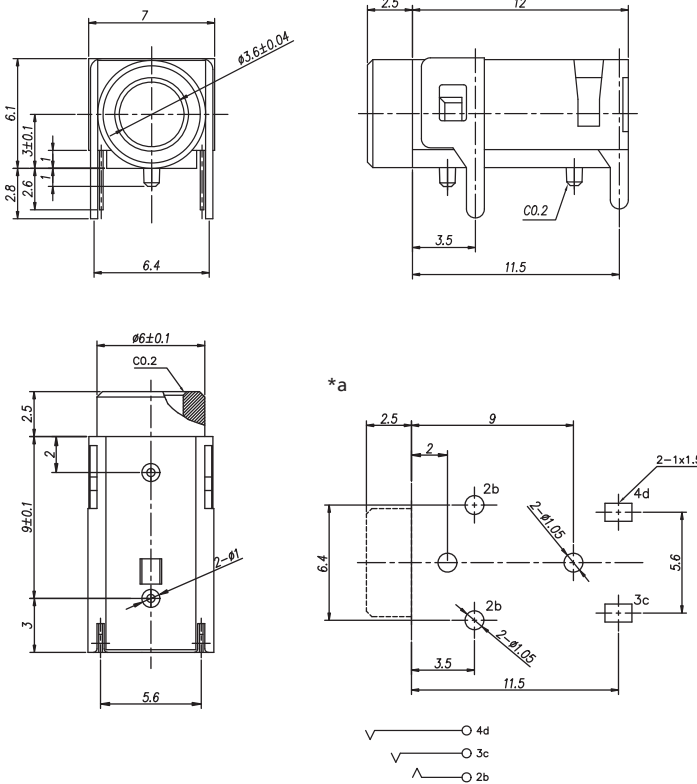
## Jack connectors



Jack chassis socket acc. to JIS C 6560 JC35J3A, 3.5 mm, 3 poles/stereo, angular version, for printed circuit boards

15

1503 29



\*a printed circuit board layout, solder side view

#### Environmental conditions

Temperature range -20 °C/+70 °C

#### Materials

Insulating body PBT GF, V-0 according to UL94  
Contact spring CuSn/CuZn, silver-plated





#### Mechanical data

Mating cycles 5000  
Insertion force 5–20 N  
Withdrawal force 4–20 N

#### Electrical data (at T<sub>amb</sub> 20 °C)

Contact resistance ≤ 50 mΩ  
Rated current 1 A  
Rated voltage 34 V  
Rated impulse voltage 500 V/60 s  
Insulation resistance ≥ 100 MΩ

#### Associated products

Counterparts  
 1532 07       KLS 40       KLS 44  
 WKLS 40

15

1503 29

Designation	Pole Number	PU (Pieces)	MDQ (Pieces)
1503 29	3	500	500

**Packaging:**

in bulk, in a cardboard box or a plastic bag