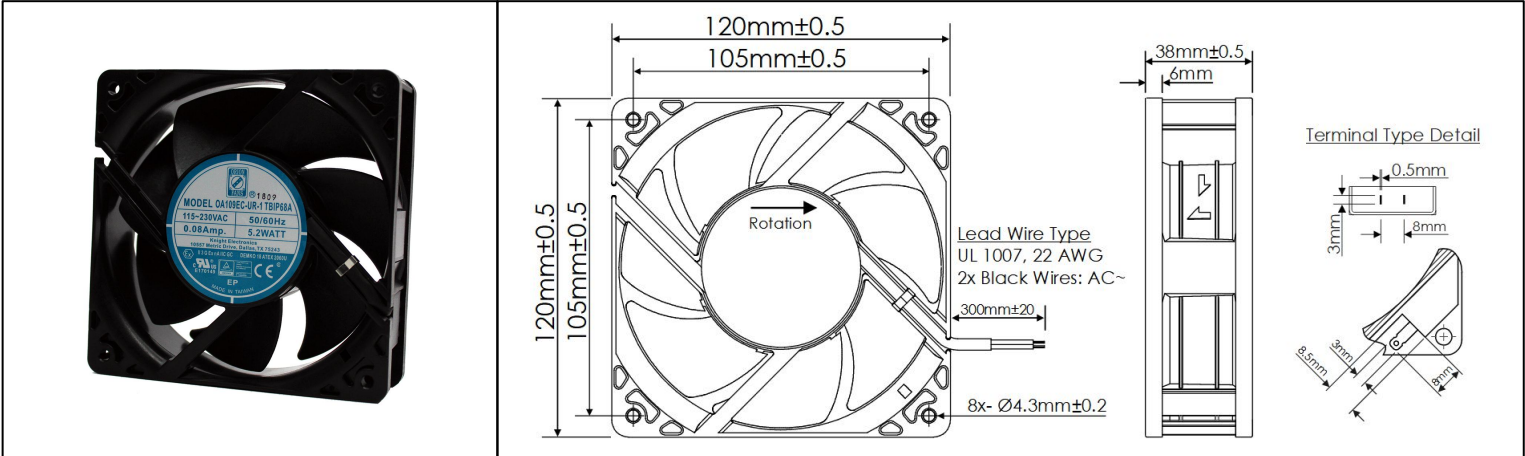


OA109EC IP68 ATEX Series



AC Fans - 115, 230V Universal Input
120mm x 38mm (4.7" x 1.5")



Frame	PBT, UL94 V-0 Plastic	Operating Temperature -20°C ~ +70°C Life Expectancy 60,000 Hours (L10 at 40°C) Installed Options IP68 Rated Motor ATEX Certification Weight: 0.64 lbs	
Impeller	PBT, UL94 V-0 Plastic		
Connection	2x Lead Wires, 22 AWG, or Terminals		
Motor	EC Motor, Electronically Protected, IP68		
Bearing System	Ball Bearings		
Dielectric Strength	1500VAC/min, <1mA		
Insulation Resistance	≥10MΩ @ 500 VDC		

Part Number	Voltage Range (Volts AC)	Input Power (Watts)	Rated Current (Amps)	Rated Speed (RPM)	Max Airflow (CFM)	Noise Level (dBA)	Max Static Pressure ("H ₂ O)
OA109EC-UR-1*BIP68A	90 ~ 265	4.9W @ 115V 5.2W @ 230V	0.08A @ 115V 0.06A @ 230V	3200	106	43	0.34

* Substitute "T" for Terminal type power connection, or "W" Lead wire type power connection.