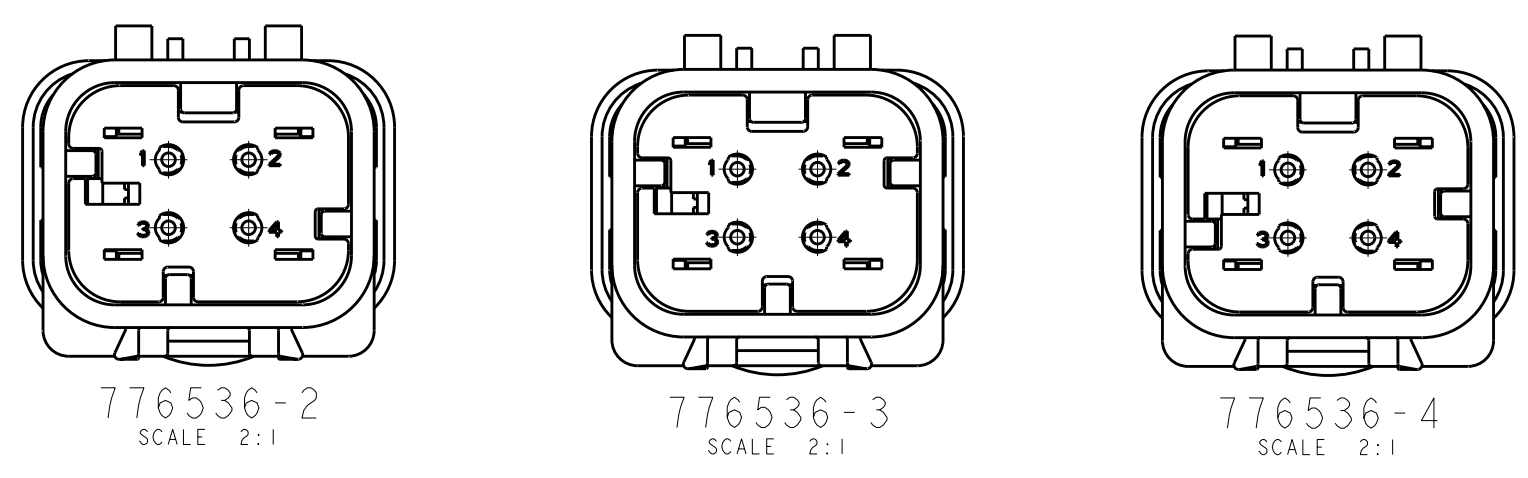
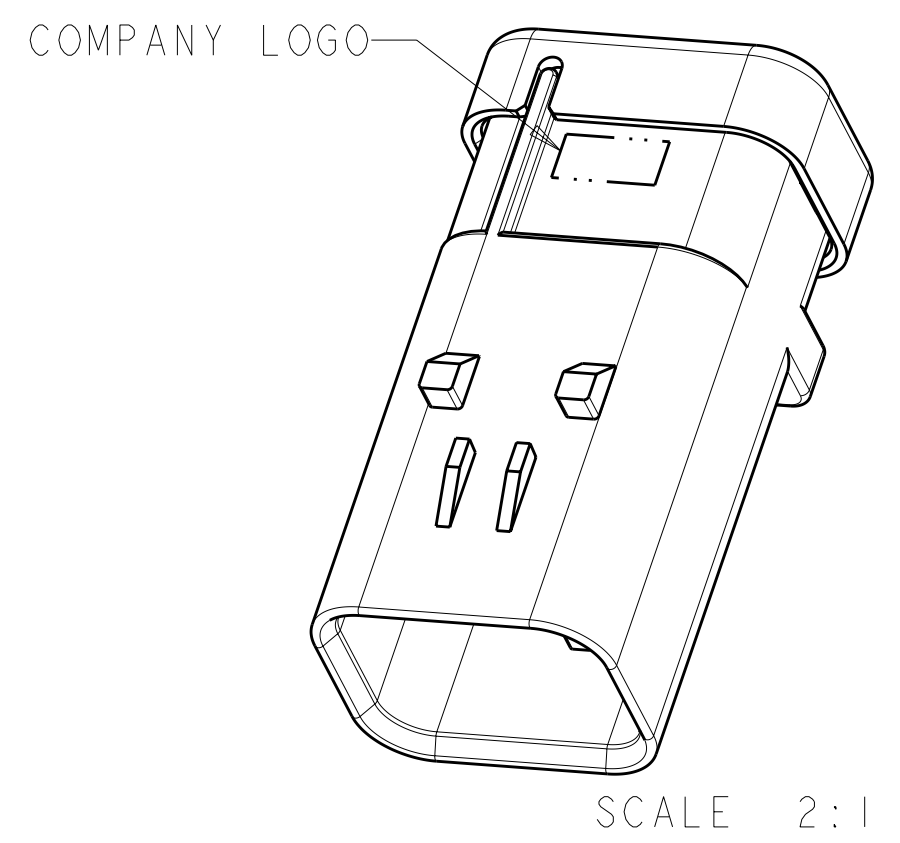
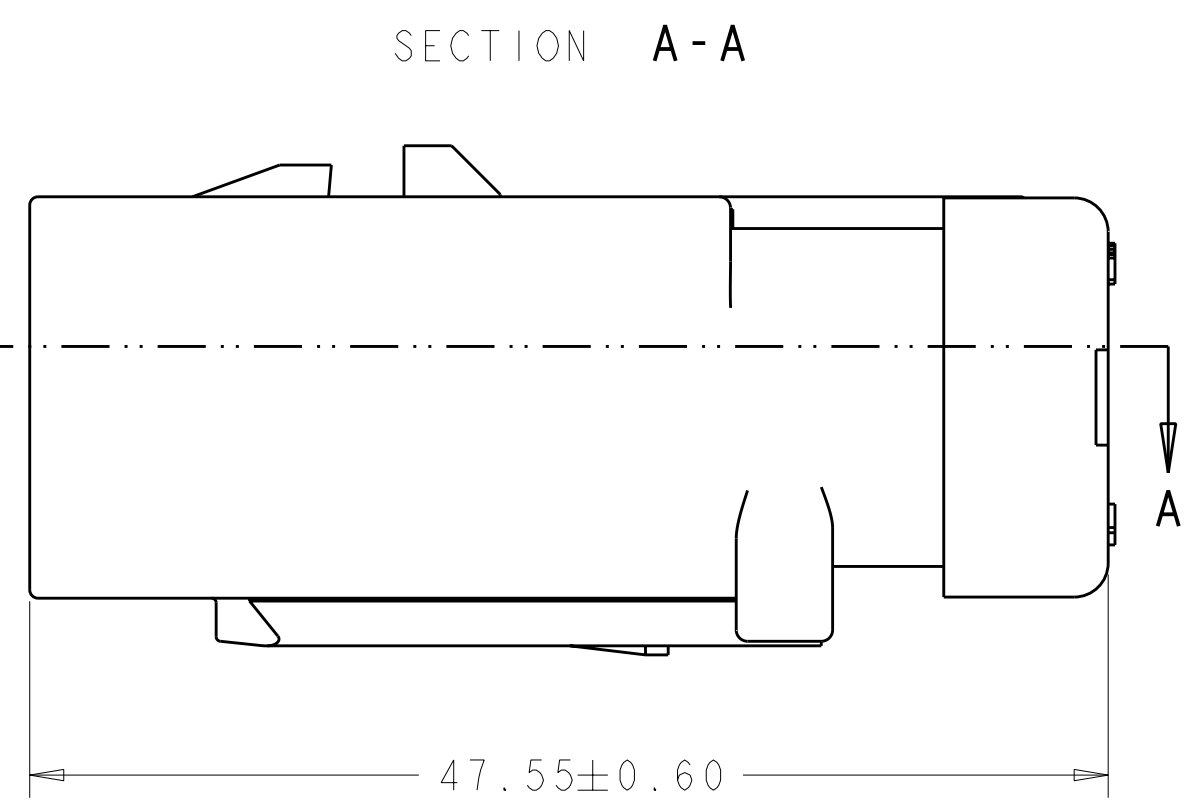
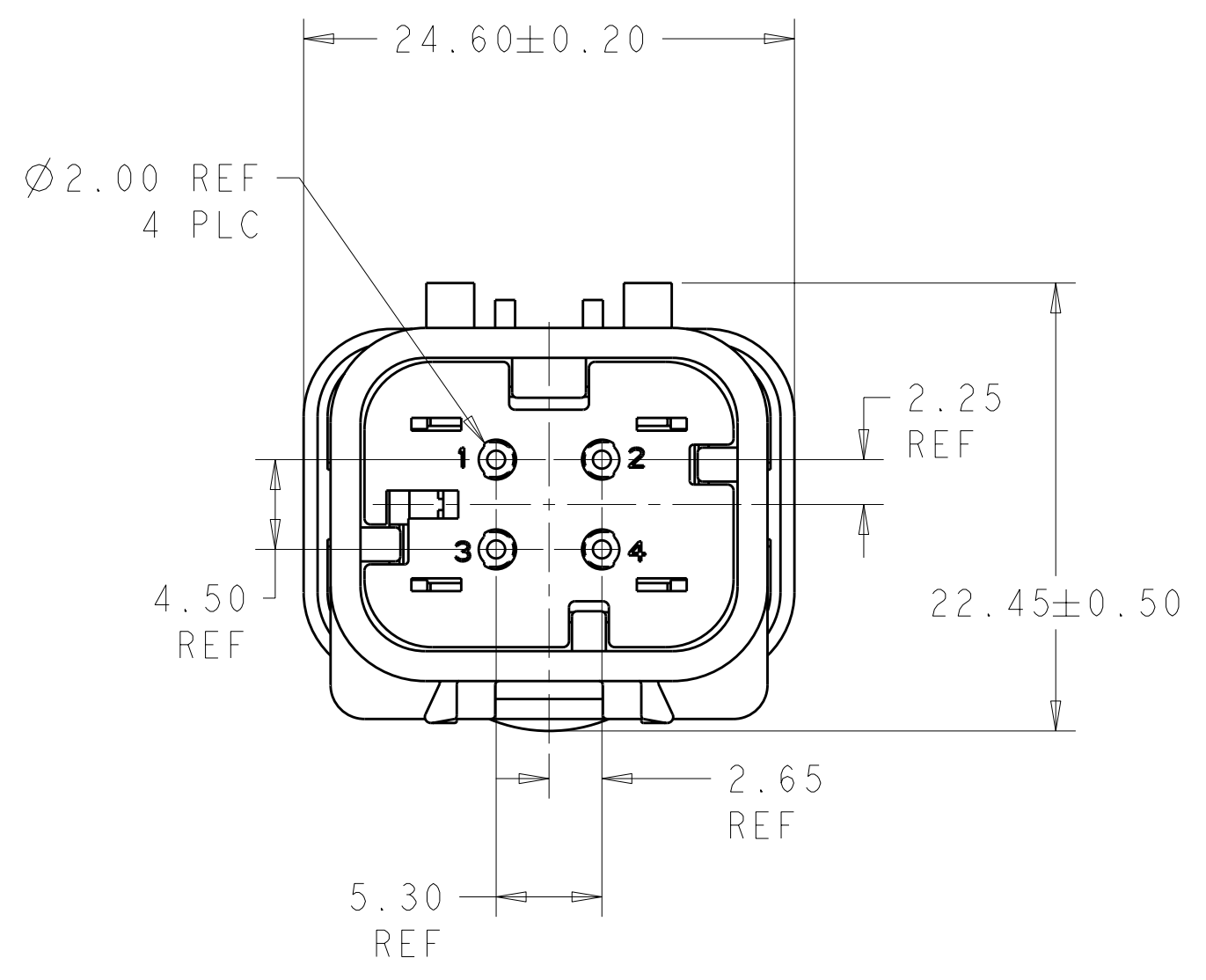
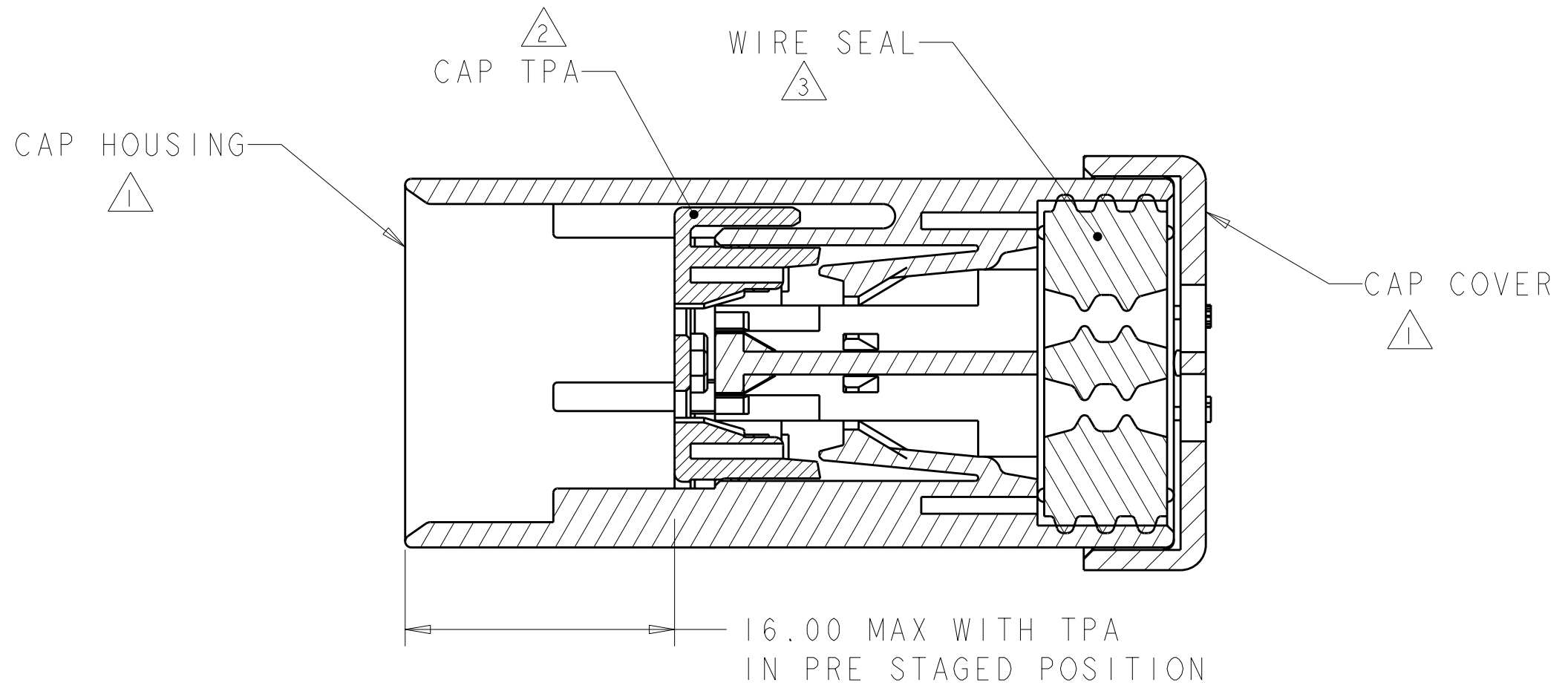


THIS DRAWING IS UNPUBLISHED. RELEASED FOR PUBLICATION
 © COPYRIGHT 20 BY - ALL RIGHTS RESERVED.

LOC	DIST	REVISIONS					
GE	00	P	LTR	DESCRIPTION	DATE	DWN	APVD
		B3		REVISED PER ECO-11-005030	12MAR2011	RK	HMR



- ① MATERIAL: 15% GLASS FILLED THERMOPLASTIC
COLOR: BLACK
 - ② MATERIAL: 15% GLASS FILLED THERMOPLASTIC
COLOR: (SEE TABLE)
 - ③ MATERIAL: SILICONE
COLOR: ORANGE
4. RECOMMENDED WIRE DIAMETER RANGE IS 1.30 TO 2.54mm



TPA COLOR	PART NUMBER
GREEN	776536-4
YELLOW	776536-3
GRAY	776536-2
RED	776536-1

776536-1 SHOWN

THIS DRAWING IS A CONTROLLED DOCUMENT.

DIMENSIONS:	TOLERANCES UNLESS OTHERWISE SPECIFIED:	DWN	04SEP03
mm	0 PLC ±	W. HOELSCHER	04SEP03
	1 PLC ±	CHK	J. PATTERSON
	2 PLC ±	APVD	D. KLEIN
	3 PLC ±	PRODUCT SPEC	
	4 PLC ±	APPLICATION SPEC	
	ANGLES ±	114-13065	
	FINISH	WEIGHT	
MATERIAL			

CUSTOMER DRAWING

TE Connectivity	
NAME: CAP ASSEMBLY, 4 POSITION, 2 ROW, AMPSEAL 16 CONNECTOR REDUCED DIA WIRE SEAL	
SIZE	RESTRICTED TO
A2	-
CAGE CODE	DRAWING NO
00779	776536
SCALE	SHEET
3:1	1 OF 1
REV	B3