

**TECHNICAL SPECIFICATIONS**

**Material:**

Connector Body: PBT, UL-recognised  
 Connector Pin: Brass, Gold Flash  
 Connector Shell: Steel, Ni Plated

Operating Temperature: -40°C to +105°C

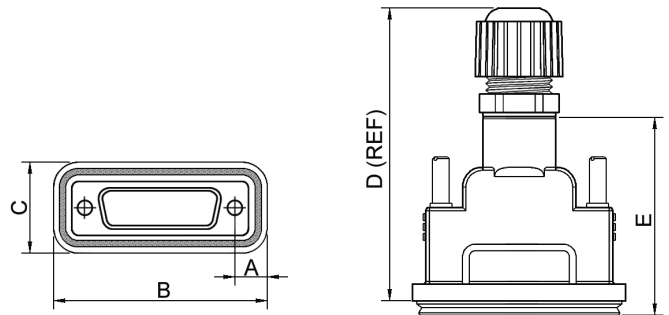
Cable Entry: Top

Thumbscrews: UNC 4-40

Waterproof: IP67

**Electrical Specifications:**

Contact Resistance: < 20mOhm  
 Insulation Resistance: > 500Mohm at DC 500V  
 Current Rating: 2A (High Density),  
 5A (Standard D-Sub)  
 Breakdown Voltage: > AC 500V / rms,  
 60Hz / 1 minute



**Features:**

- Field Assembly version with snap-in connector
- Available in (SDB) Standard Sizes 9, 15 and 25-pins
- Available in (HDB) High Density 15, 26 and 44-pins
- Female or Male Versions
- Hood Includes Connector – Solder Type
- Hood with Crimp Connector on request
- Hood without Connector available on request

Size	Dim A	Dim B	Dim C	Dim D	Dim E
9-way – HD15-way	8,0	39,4	21,0	39,0	32,3
15-way – HD26-way	8,0	50,6	21,0	43,2	32,3
25-way – HD44-way	8,0	64,5	21,0	55,0	32,3

**Ordering information:**

Standard Version

Size:	P/N - Kitted:	Product Code:
9-way, Female	2601-0120-01	SDB-09BFFA-SL7001
15-way, Female	2601-0120-02	SDB-15BFFA-SL7001
25-way, Female	2601-0120-03	SDB-25BFFA-SL7001
9-way, Male	2601-0120-11	SDB-09BMMA-SL7001
15-way, Male	2601-0120-12	SDB-15BMMA-SL7001
25-way, Male	2601-0120-13	SDB-25BMMA-SL7001

High-Density Version

Size:	P/N - Kitted:	Product Code:
HD15 - Female	2601-0130-01	HDB-15BFFA-SL7001
HD26 - Female	2601-0130-02	HDB-26BFFA-SL7001
HD44 - Female	2601-0130-03	HDB-44BFFA-SL7001
HD15 - Male	2601-0130-11	HDB-15BMMA-SL7001
HD26 - Male	2601-0130-12	HDB-26BMMA-SL7001
HD44 - Male	2601-0130-13	HDB-44BMMA-SL7001