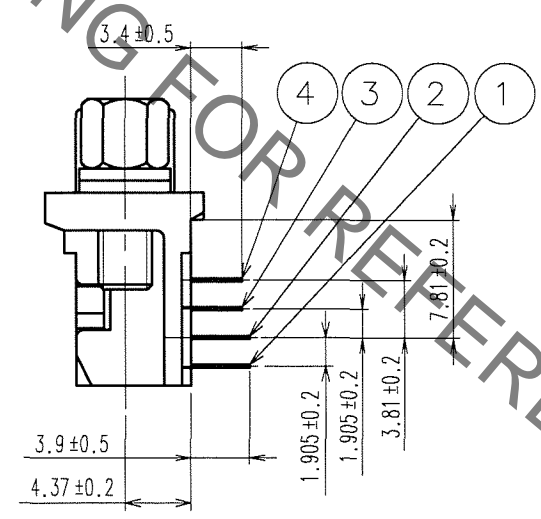
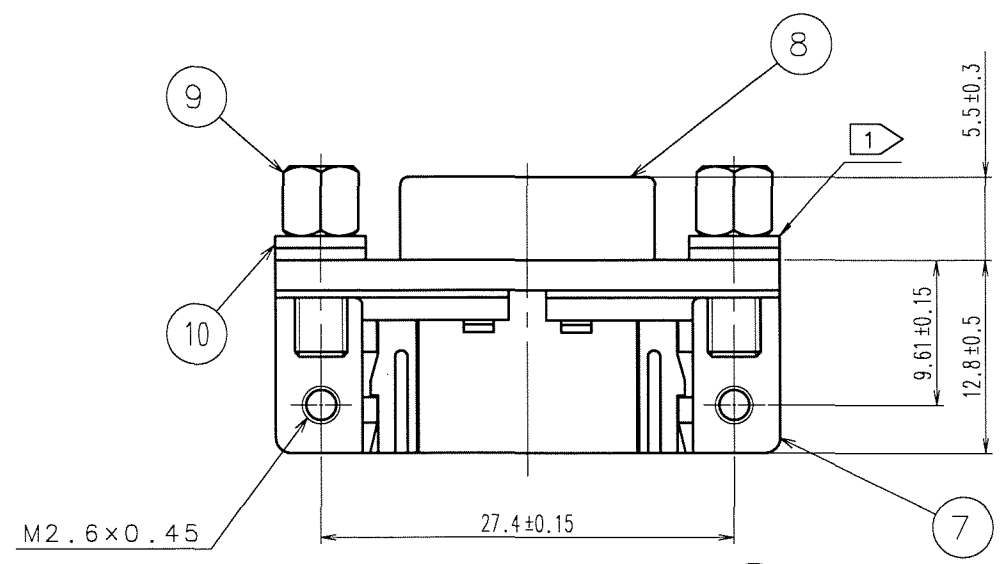
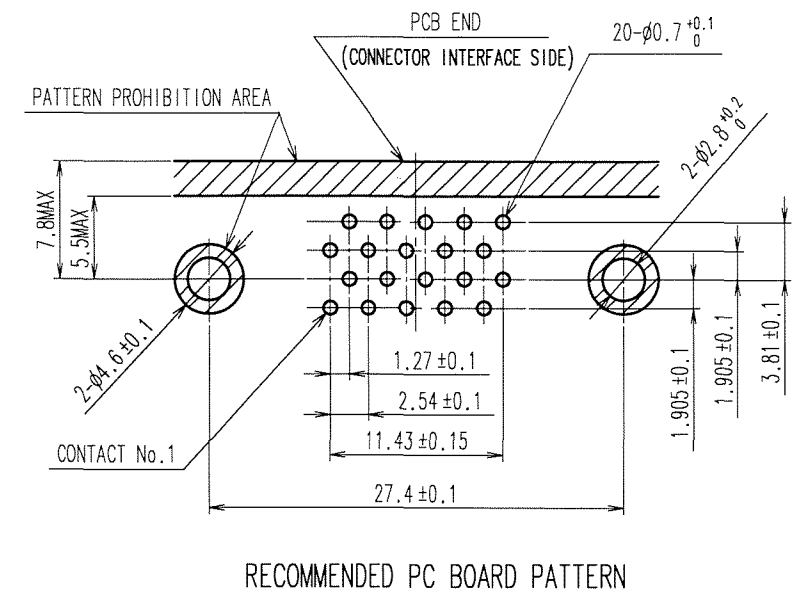
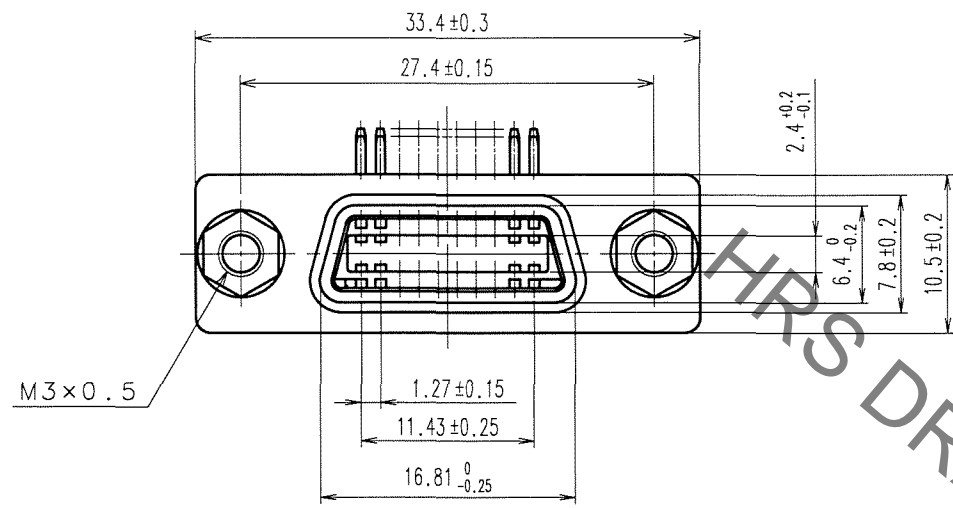


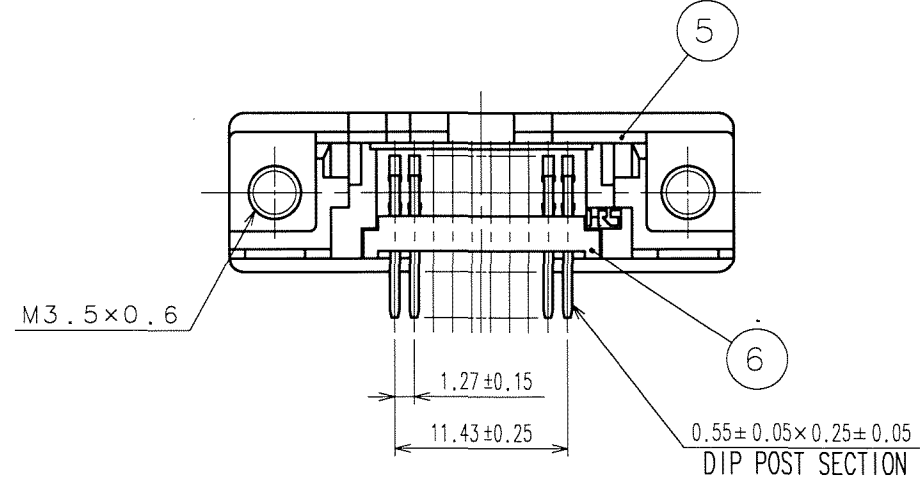
Jan.1.2022 Copyright 2022 HIROSE ELECTRIC CO., LTD. All Rights Reserved.
In case of consideration for using Automotive equipment / device which demand high reliability, kindly contact our sales window correspondents.

COUNT	DESCRIPTION OF REVISIONS	BY	CHKD	DATE	COUNT	DESCRIPTION OF REVISIONS	BY	CHKD	DATE
△	REWRITTEN BY CAD	Y.S		..	△				..
△	5 DIS-E-001025	Y.S	Y.E	06.11.2	△				..
△				..	△				..



NOTE 1 PART No. ⑩ SHALL BE FINISHED AS TABLE SHOWN BELOW ACCORDING TO PQN3L THICKNESS.
(WASHER THICKNESS : 0.8)

PANEL THICKNESS	No. OF WASHER
t=0.7~1.0	2 EACH
t=1.5~1.8	1 EACH



NO.	MATERIAL	FINISH, REMARKS	NO.	MATERIAL	FINISH, REMARKS
7	ZINC ALLOY DIE CASTING	OVER: NICKEL PLATING 2μ m min UNDER: COPPER PLATING 10μ m min	10	STEEL	OVER: NICKEL PLATING 2μ m min UNDER: COPPER PLATING 3μ m min
6	PBT	UL94V-0(BLACK)	9	BRASS	OVER: NICKEL PLATING 2μ m min UNDER: COPPER PLATING 1μ m min
5	PBT	UL94V-0(BLACK)	8	STEEL	OVER: NICKEL PLATING 1μ m min UNDER: COPPER PLATING 5μ m min
1~4	PHOSPHOR BRONZE	CONTACT: GOLD PLATING 0.2μ m min DIP: GOLD PLATING 0.03μ m min UNDER: NICKEL PLATING 2μ m min			

CODE NO. (OLD)	DRAWN	DESIGNED	CHECKED	APPROVED	RELEASED
CL	T.KAMEYA	T.KAMEYA	Y.ENAMI	H.MIWA	..
	03.10.06	03.10.06	03.10.07	03.10.08	..

SCALE	DRAWING NO.	PART NO.
2 : 1	EDC3-040770-02	DX10A-20S(50)
UNITS	mm	CODE NO.
	HRS HIROSE ELECTRIC CO., LTD	CL230-0047-2-50

TO
Q

Mouser Electronics

Authorized Distributor

Click to View Pricing, Inventory, Delivery & Lifecycle Information:

[Hirose Electric:](#)

[DX10A-20S\(50\)](#)