

# Tact Switch

**Q-10278**

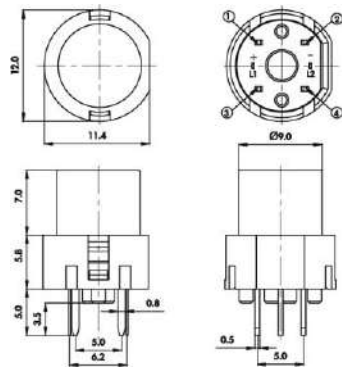
TYPE: **KS01-BL**



## SPECIFICATIONS

Contact Type	SPST
Rating	DC 35V, 10mA
Contacts Resistance	30mΩ Max
Insulation Resistance	100MΩ Min
Minimum Load	DC 100V
Dielectric Strengths	AC 250V / 1 minute
Life Test	100 000 Cycles Min
Operating temperature range	-20°C to +60°C
Operating Force	V: 130 ± 50gf M: 250 ± 50gf

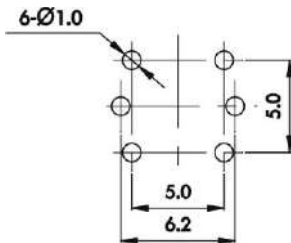
Outline Drawing



LED Color

1	Red
2	Yellow
3	Green
4	Blue
5	White
-	Non-illuminated

Mounting



Circuitry

