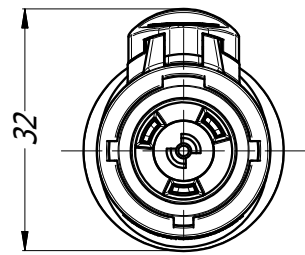
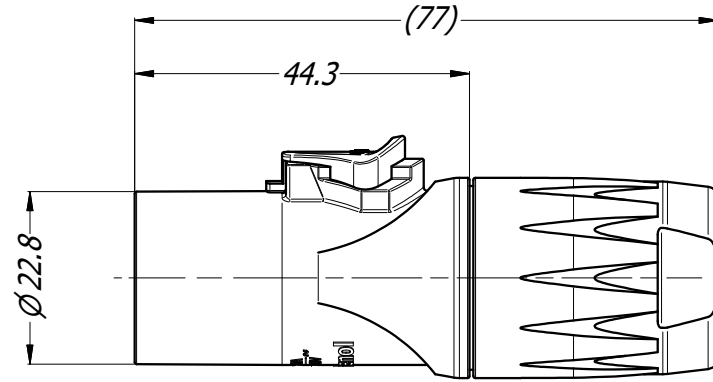
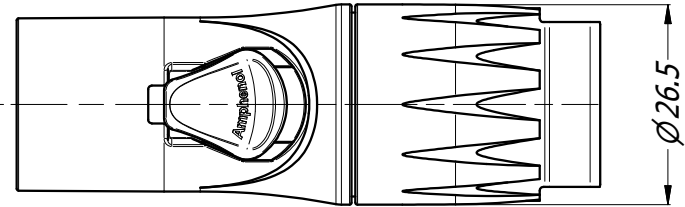


3D VIEW
3:4



PATENTS AND APPLICATIONS :

- US D839193
- US 10823914B2
- EP 3514892B1
- JP 6705027B2
- DE 102018101431A1
- HK 40009428A
- CN 110071397A
- EP 3641070A1

NOTES:

1. CABLE OD RANGE:
 - SMALL GROMMET: 7.5 - 10.0 mm OD
 - MEDIUM GROMMET: 9.5 - 13.0 mm OD
 - BIG GROMMET: 12.7 - 16.0 mm OD
2. BACKSHELL TORQUE: 3.7 Nm

UNLESS OTHERWISE SPECIFIED TOLERANCE TO BE		THIS DOCUMENT IS THE PROPERTY OF AMPHENOL AUSTRALIA PTY. LTD. NO PART THEREOF MAY BE REPRODUCED AND USED WITHOUT THE PRIOR WRITTEN CONSENT OF THE OWNER.			
LINEAR	ANGULAR	MATERIAL:	DRN:	T.N	DATE: 26/07/19
X ± 0.5	X' ± 1		CKD:	P.M	DATE: 26/07/19
X.X ± 0.1	X.X' ± 30'		APP'D:	P.M	DATE: 26/07/19
X.X ± 0.05	X.X" ± 15'	DO NOT SCALE	FINISH:	SCALE: 1:1	SIZE: A4
BREAK ALL SHARP EDGES AND REMOVE ALL BURRS		THIRD ANGLE PROJECTION			
DIMENSIONS IN MILLIMETRES					



Amphenol Australia Pty.Ltd,
22 Industry Blvd, Carrum Downs VIC 3201

TITLE: CABLE CONNECTOR MALE HPT SERIES CABLE OD 7.5- 16.0mm	PART No:	REV
	HPT-3-MJ	3
DRAWING No.	SHEET	
55011361-000-2	2/2	