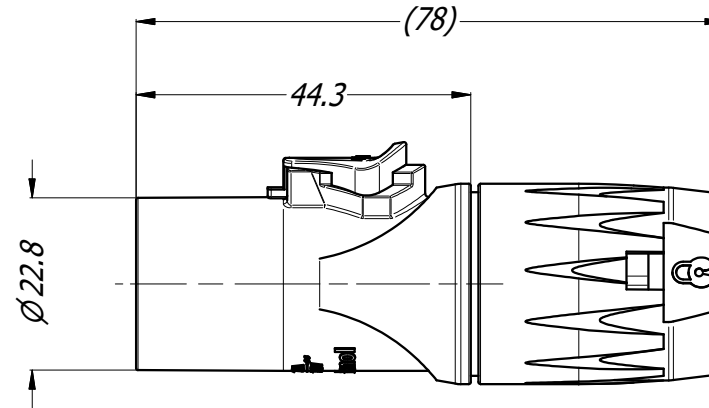
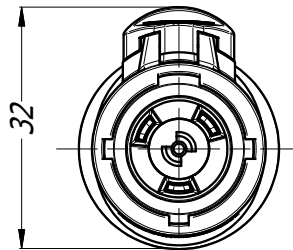
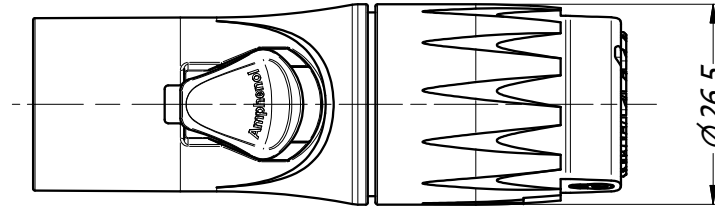


3D VIEW
3:4



PATENTS AND APPLICATIONS :

US 10186804
 US D839193
 US 10823914B2
 EP 3514892B1
 JP 6705027B2
 DE 102018101431A1
 HK 40009428A
 CN 110071397A
 EP 3641070A1

NOTES:

1. CABLE OD RANGE;
 - BIG GROMMET: 9.0 -12.0 MM OD
 - SMALL GROMMET: 6.0- 9.0 MM OD
2. BACKSHELL TORQUE: 3.1 Nm

UNLESS OTHERWISE SPECIFIED TOLERANCE TO BE		THIS DOCUMENT IS THE PROPERTY OF AMPHENOL AUSTRALIA PTY. LTD. NO PART THEREOF MAY BE REPRODUCED AND USED WITHOUT THE PRIOR WRITTEN CONSENT OF THE OWNER.			
LINEAR	ANGULAR	MATERIAL:	DRN:	T.N	DATE: 26/07/19
X ± 0.5 X.X ± 0.1 X.X ± 0.05	X' ± 1 X.X' ± 30' X.X'X " ± 15'		CKD:	P.M	DATE: 26/07/19
BREAK ALL SHARP EDGES AND REMOVE ALL BURRS		FINISH:	APP'D:	P.M	DATE: 26/07/19
DO NOT SCALE			SCALE:	1:1	SIZE:
DIMENSIONS IN MILLIMETRES		THIRD ANGLE PROJECTION			

Amphenol

Amphenol Australia Pty.Ltd,
22 Industry Blvd, Carrum Downs VIC 3201

TITLE: CABLE CONNECTOR MALE HPT SERIES CABLE OD 6.0 -12.0mm	PART No:	REV
	HPT-3-M	4
	DRAWING No.	SHEET
	55011197-000-2	2/2