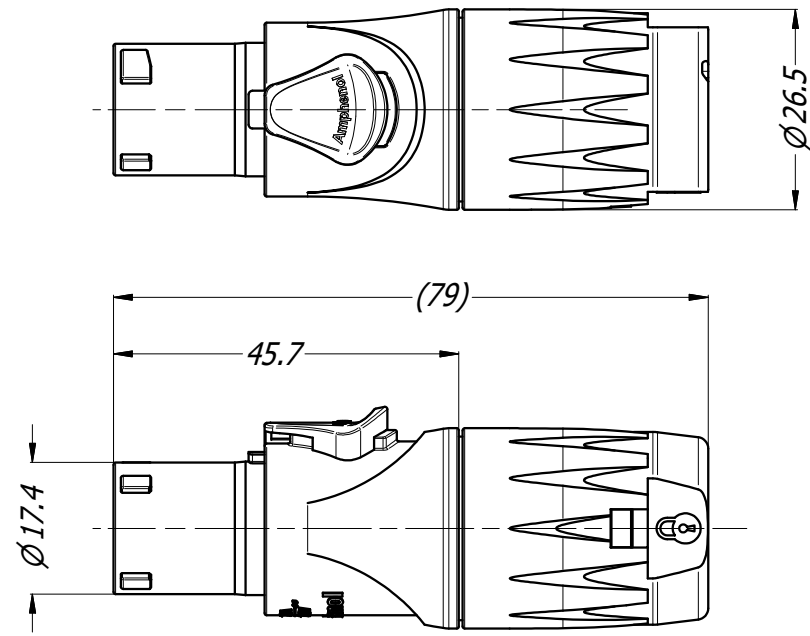
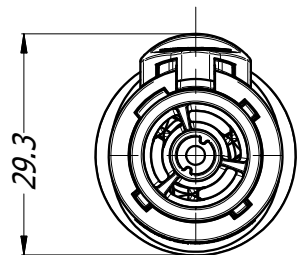


**3D VIEW**  
3:4



**PATENTS AND APPLICATONS :**

- US 10186804
- US D840341
- US 10823914B2
- EP 3514892B1
- JP 6705027B2
- DE 102018101431A1
- HK 40009428A
- CN 110071397A
- EP 3641070A1

- NOTES:**
1. CABLE OD RANGE:  
- BIG GROMMET: 9.0 -12.0 MM OD  
- SMALL GROMMET: 6.0- 9.0 MM OD
  2. BACKSHELL TORQUE: 3.1 Nm

UNLESS OTHERWISE SPECIFIED TOLERANCE TO BE		THIS DOCUMENT IS THE PROPERTY OF AMPHENOL AUSTRALIA PTY. LTD. NO PART THEREOF MAY BE REPRODUCED AND USED WITHOUT THE PRIOR WRITTEN CONSENT OF THE OWNER.				<b>Amphenol</b> Amphenol Australia Pty.Ltd, 22 Industry Blvd, Carrum Downs VIC 3201				
LINEAR	ANGULAR	MATERIAL:	DRN:	T.N	DATE:	26/07/19	TITLE:	PART No: <b>HPT-3-F</b>	REV	<b>4</b>
X ± 0.5 X.X ± 0.1 X.X ± 0.05	X' ± 1 X.X' ± 30' X.X'X' ± 15'		CKD:	P.M	DATE:	26/07/19	<b>CABLE CONNECTOR FEMALE HPT SERIES</b>		DRAWING No.	
BREAK ALL SHARP EDGES AND REMOVE ALL BURRS		FINISH:	APP'D:	P.M	DATE:	26/07/19	<b>CABLE OD 6.0-12.0mm</b>	<b>55011198-000-2</b>	<b>2/2</b>	
DO NOT SCALE			DIMENSIONS IN MILIMETRES	SCALE:	<b>1:1</b>	SIZE:	<b>A4</b>			

