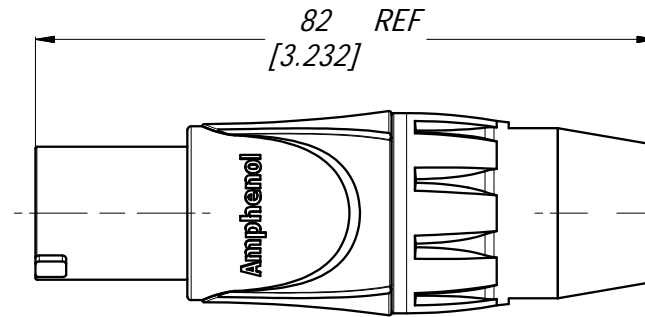


**3D VIEW**  
1:1



UL CERTIFICATE 20140623-E339831

UNLESS OTHERWISE SPECIFIED TOLERANCE TO BE		THIS DOCUMENT IS THE PROPERTY OF AMPHENOL AUSTRALIA PTY. LTD. . NO PART THEREOF MAY BE REPRODUCED AND USED WITHOUT THE PRIOR WRITTEN CONSENT OF THE OWNER.				<b>Amphenol</b> Amphenol Australia Pty.Ltd, 22 Industry Blvd Carrum Downs, VIC 3201	
LINEAR	ANGULAR	MATERIAL:	DRN: T.N	DATE: 21/01/14	TITLE:	PART No:	REV
X ±	X' ±		CKD: P.M	DATE: 22/01/14	<b>CONNECTOR PLUG</b>	<b>HP-3-FG</b>	<b>1</b>
X.X ±	X.X' ±		APP'D: P.M	DATE: 22/01/14	<b>POWER OUT 20A GREY</b>	DRAWING No.	SHEET
X.XX ±	X.XX' ±	FINISH:	SCALE: <b>1:1</b>	SIZE: <b>A4</b>	<b>CUSTOMER DWG</b>	<b>55010926-000</b>	<b>2/2</b>
BREAK ALL SHARP EDGES AND REMOVE ALL BURRS		DIMENSIONS IN MILLIMETRES		THIRD ANGLE PROJECTION		CB4.17.F1	
DO NOT SCALE							