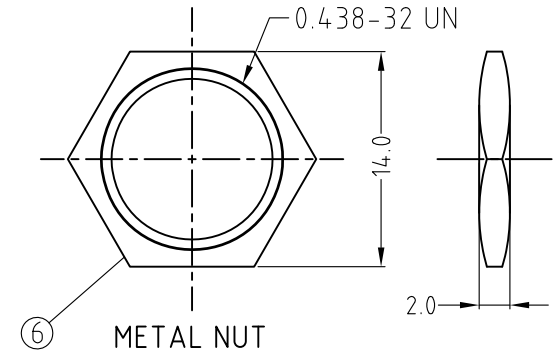
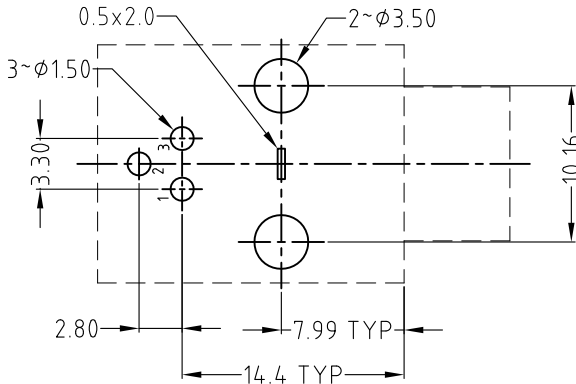


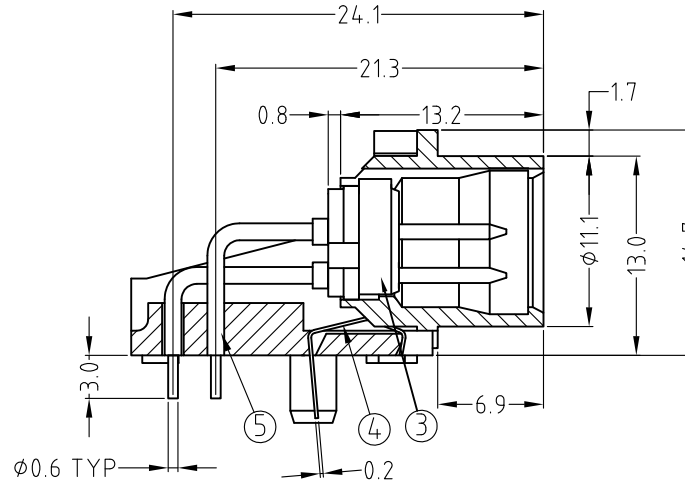
ISO VIEW



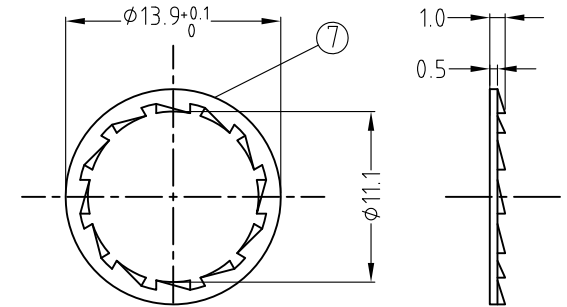
METAL NUT



PCB LAYOUT  
(CONNECTOR SIDE)



HALF-SECTION



STAR WASHER

Specification: Electrical  
 Contact Resistance: <0.01 ohm  
 Insulation Resistance: >500Megaohm  
 Dielectric Strength: 1000VDC  
 Rated Current: 5A

Mechanical  
 Mating: >5000 cycles  
 Insertion/withdrawal Force: >10N & <30N.

Notes:

- Part must conform to RoHS compliance
- Plastic parts conform to UL94 V-0 compliant.

ITEM	MATERIAL	ITEM
1	VECTRA LCP E130i UL94 V-0-BLACK	1
2	BRASS-NICKEL PLATED	1
3	PA6/BLACK, UL 94 V-0	1
4	SUS 301/TIN PLATING	1
5	BRASS-GOLD PLATED	3
6	BRASS-NICKEL PLATED	1
7	BRASS-NICKEL PLATED	1

UNLESS OTHERWISE SPECIFIED TOLERANCE TO BE

LINEAR	ANGULAR
X ± 0.50	X° ± 1°
X,X ± 0.25	X°X' ± 30'
X,X ± 0.10	X°X' ± 15'

BREAK ALL SHARP EDGES AND REMOVE ALL BURRS

DO NOT SCALE

DIMENSIONS IN MILLIMETRES

THIS DOCUMENT IS THE PROPERTY OF AMPHENOL AUSTRALIA PTY. LTD.. NO PART THEREOF MAY BE REPRODUCED AND USED WITHOUT THE PRIOR WRITTEN CONSENT OF THE OWNER

CAD FILE: 55010613000112

MATL: SEE NOTES

FINISH: SEE NOTES

DRN: M.N.H

CKD: M.H

APP'D: M.H

DATE: 04-08-09

DATE: 17-09-13

DATE: 17-09-13

TITLE:  
 MINI XLR 3 PIN MALE  
 PANEL MOUNT RA PCB  
 CUSTOMER DRAWING

SCALE: NTS

Amphenol  
 20 Industry Boulevard, Carrumdowns, Vic 3201  
 DRAWING NO. 55010613-000-1

BY DATE CHG/No  
 SHEET 1 OF 1