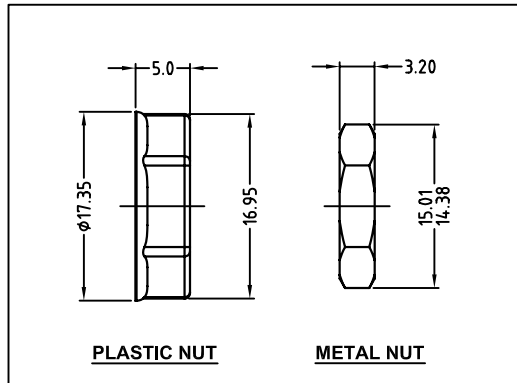
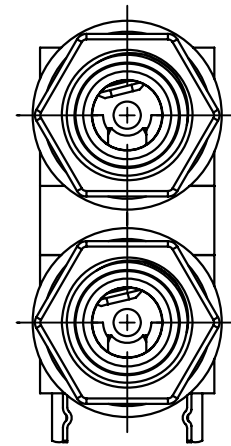
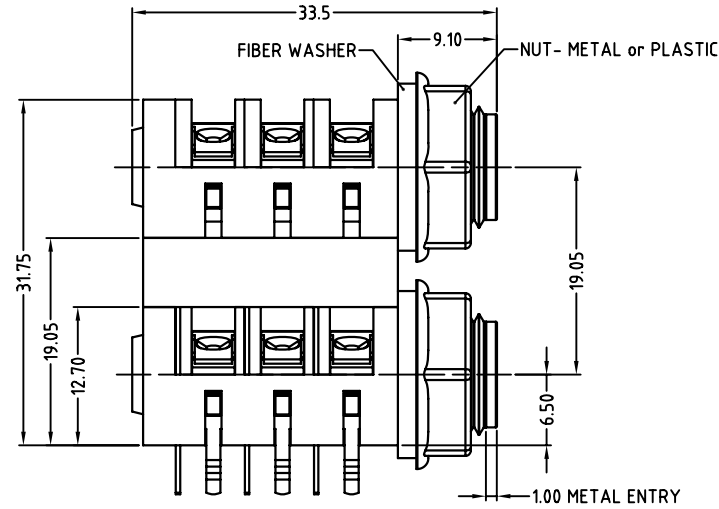
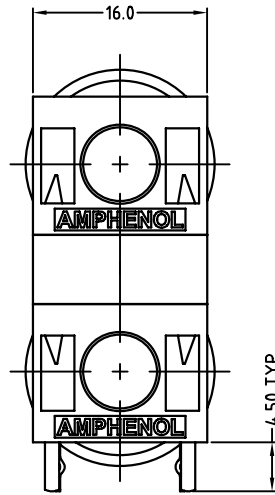
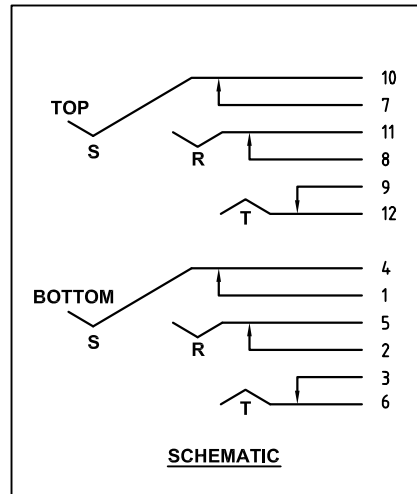


ISO VIEW
SCALE 1:1

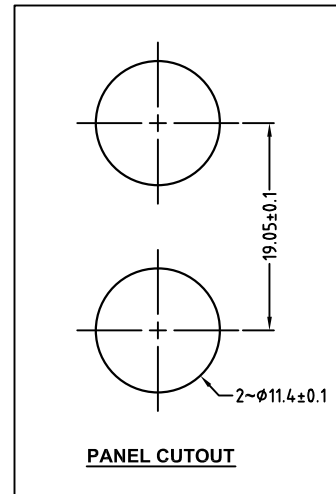


PLASTIC NUT

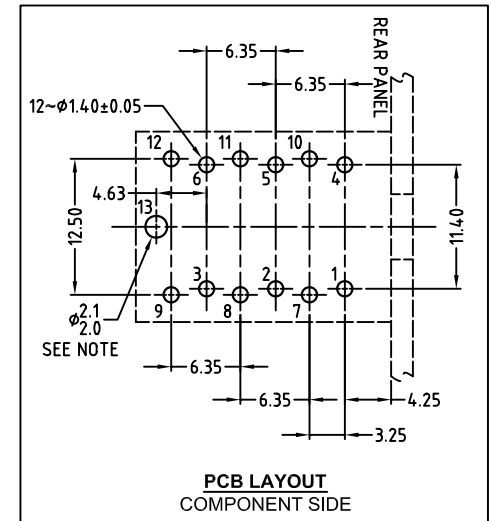
METAL NUT



SCHMATIC



PANEL CUTOUT



PCB LAYOUT
COMPONENT SIDE

CATALOGUE P/N	ASSEMBLY P/N	NUT OPTIONS
ACJS-PHD	55010156-502	PLASTIC - BLACK
ACJS-MHD	55010156-302	METAL - NICKEL
ACJS-LHD	55010156-902	NO NUT & WASHER

NOTE: OPTIONAL MOUNTING HOLE FOR SELF-TAPPING M2 SCREW

UNLESS OTHERWISE SPECIFIED TOLERANCE TO BE

LINEAR	ANGULAR
X ± 0.5	X° ± 1°
XX ± 0.1	X°X' ± 30'
XXX ± 0.05	X°X'X" ± 15'

BREAK ALL SHARP EDGES AND REMOVE ALL BURRS

DO NOT SCALE

DIMENSIONS IN MILLIMETRES

THIS DOCUMENT IS THE PROPERTY OF AMPHENOL AUSTRALIA PTY. LTD. NO PART THEREOF MAY BE REPRODUCED AND USED WITHOUT THE PRIOR WRITTEN CONSENT OF THE OWNER

CAD FILE: 55010156502222	DRN: L.V	DATE: 18-06-02
MATL: REFER TO COMPONENTS	CKD: M.N.H	DATE: 08-06-10
FINISH: REFER TO COMPONENTS	APP'D: P.M	DATE: 08-06-10

THIRD ANGLE PROJECTION

2	CHANGE PLASTIC NUT P/N: 52170018-531 TO P/N: 52170032-531 & CORRECT SCHEMATIC DIAGRAM	L.V	31-01-05	8333
1	UPDATE TO COMPLY WITH MODIFIED COMPONENTS	L.V	11-06-03	8184
0	FIRST ISSUE	L.V	18-06-02	----
REV.	CHANGE DETAILS	BY	DATE	CHG/No

TITLE: 1/4" PHONE STEREO DUAL JACK CUSTOMER DRAWING

Amphenol
Amphenol Australia Pty.Ltd, 2 Fireweys Blvd, Keysborough, Vic3173

DRAWING NO. 55010156-502-2 SHEET 2 OF 2