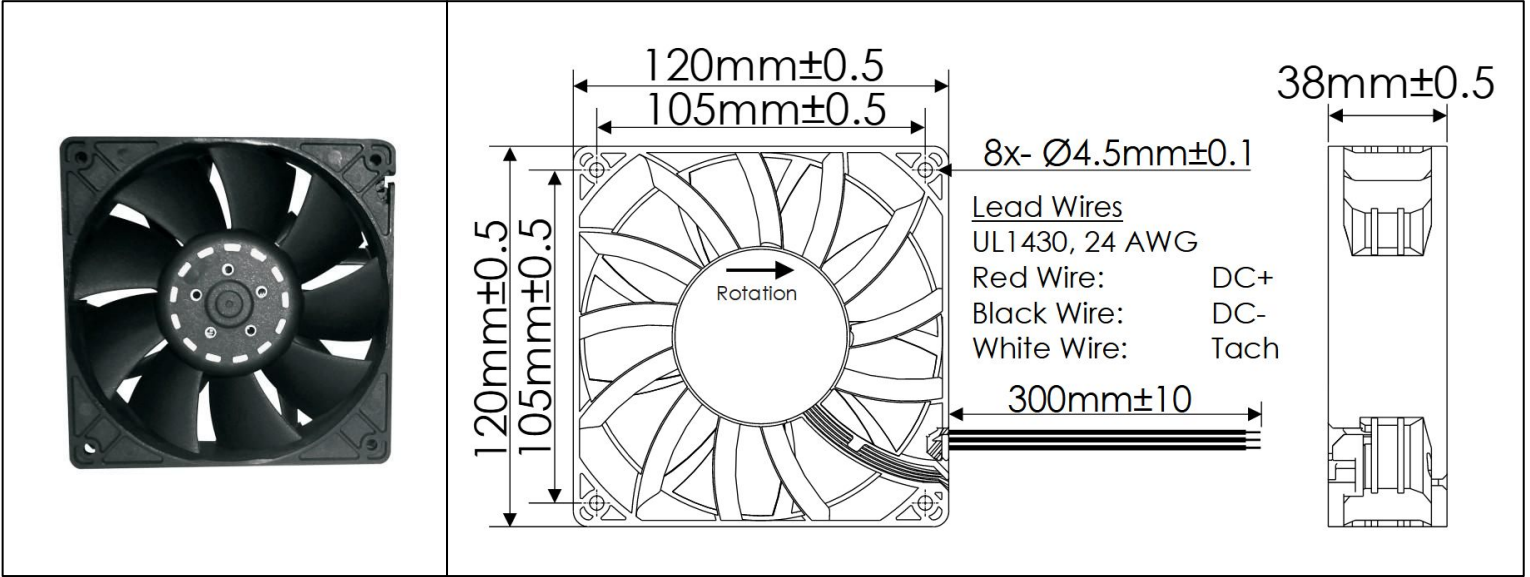


# OD1238 XJ Series with Tach

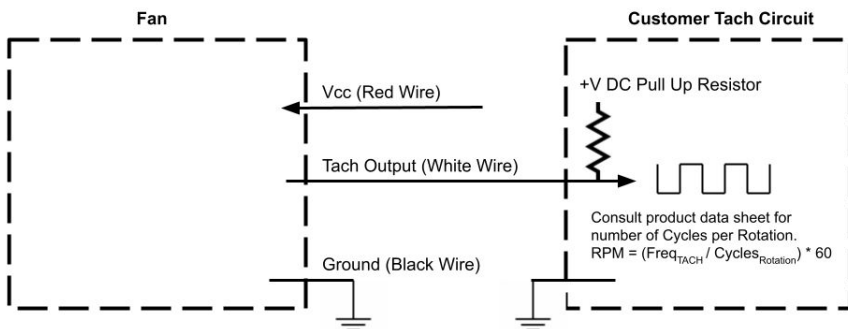


DC Fans - 12, 24V  
120mm x 120mm x 38mm (4.7" x 1.5")



<b>Frame</b>	PBT, UL94 V-0 Plastic	<u>Operating Temperature</u> -10°C ~ +70°C	
<b>Impeller</b>	PBT, UL94 V-0 Plastic	<u>Storage Temperature</u> -40°C ~ +70°C	
<b>Connection</b>	3x Leads Wires, 24 AWG	<u>Life Expectancy</u> 70,000 Hours (L10 at 40°C)	
<b>Motor</b>	Brushless DC, Auto Cutoff, Auto Restart, Electronically Protected, Polarity Protected	<u>Installed Options</u> Open Collector Tach Output	
<b>Bearing System</b>	Ball Bearings	<u>Available Options</u> 5V TTL Tach Output IP Ratings	
<b>Dielectric Strength</b>	500VDC/min, <1mA	Weight: 0.83 lbs	
<b>Insulation Resistance</b>	≥10M Ohm @ 500 VDC		

Part Number	Rated Voltage (Volts DC)	Voltage Range (Volts DC)	Input Power (Watts)	Rated Current (Amps)	Rated Speed (RPM)	Max Airflow (CFM)	Noise Level (dBA)	Max Static Pressure ("H <sub>2</sub> O)
OD1238-12HBXJ01A	12	10 ~ 13.8	52.8	4.40	6000	227	69.1	1.3
OD1238-12MBXJ01A	12	10 ~ 13.8	34.8	2.90	5000	190	63.3	0.95
OD1238-24HBXJ01A	24	16 ~ 25.1	50.4	2.10	6000	227	69.1	1.3
OD1238-24MBXJ01A	24	16 ~ 25.1	33.6	1.40	5000	190	63.3	0.95

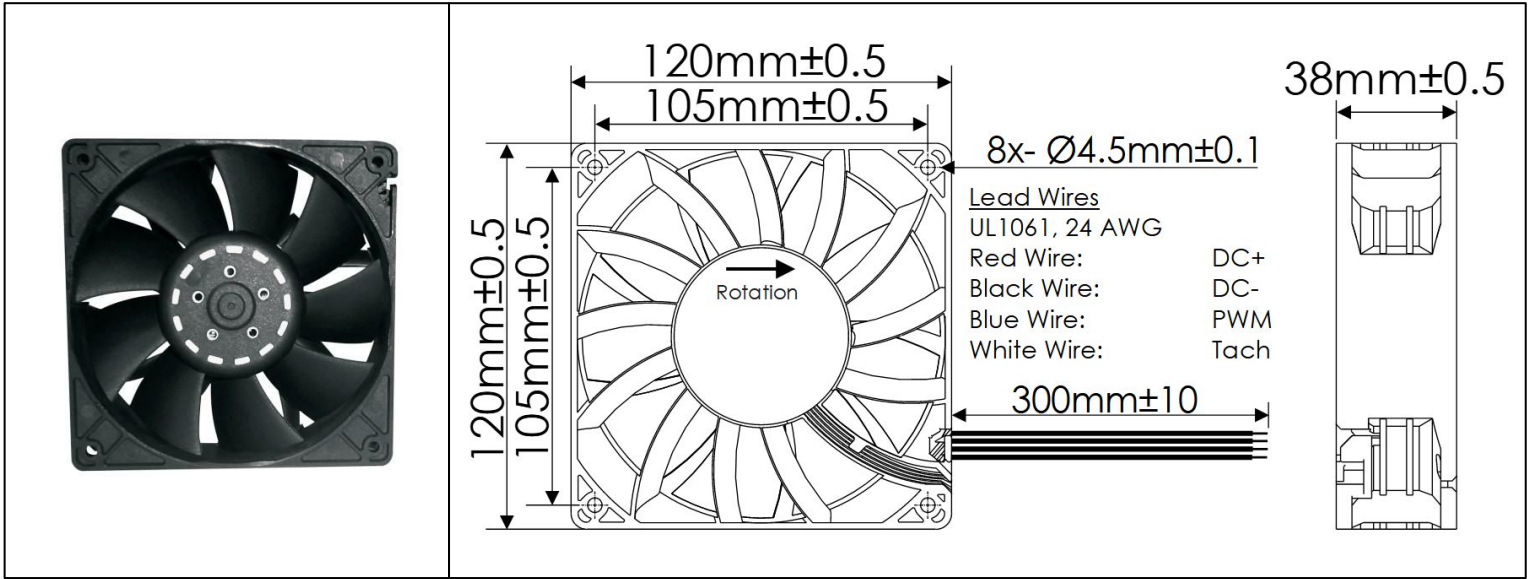


Tach Max Pullup Voltage: Fan Vcc  
Tach Max Sink Current: 5mA  
Tach Cycles per Rotation: 2

# OD1238 XJ Series with PWM and Tach

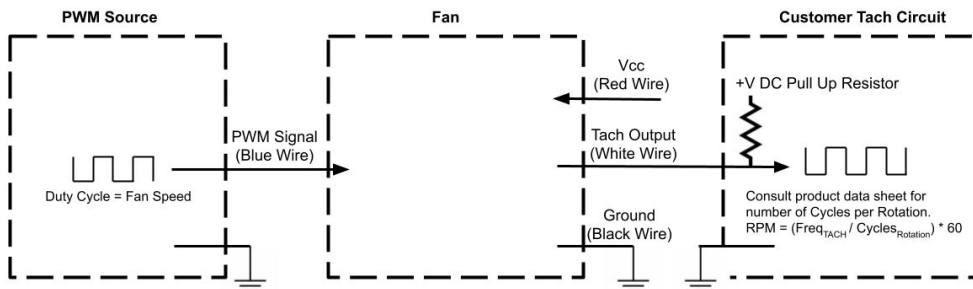


DC Fans - 12, 24V  
120mm x 120mm x 38mm (4.7" x 1.5")



<b>Frame</b>	PBT, UL94 V-0 Plastic	<b>Operating Temperature</b> -10°C ~ +70°C	<b>Storage Temperature</b> -40°C ~ +70°C	
<b>Impeller</b>	PBT, UL94 V-0 Plastic			
<b>Connection</b>	4x Leads Wires, 24 AWG	<b>Life Expectancy</b> 70,000 Hours (L10 at 40°C)		
<b>Motor</b>	Brushless DC, Auto Cutoff, Auto Restart, Electronically Protected, Polarity Protected	<b>Installed Options</b> PWM Speed Control Input Open Collector Tach Output		
<b>Bearing System</b>	Ball Bearings	<b>Available Options</b> 5V TTL Tach Output IP Ratings		
<b>Dielectric Strength</b>	500VDC/min, <1mA	<b>Weight:</b> 0.83 lbs		
<b>Insulation Resistance</b>	≥10M Ohm @ 500 VDC			

Part Number	Rated Voltage (Volts DC)	Voltage Range (Volts DC)	Input Power (Watts)	Rated Current (Amps)	Rated Speed (RPM)	Max Airflow (CFM)	Noise Level (dBA)	Max Static Pressure (\"H <sub>2</sub> O)
OD1238-12HBXJ10A	12	10 ~ 13.8	52.8	4.40	6000	227	69.1	1.3
OD1238-12MBXJ10A	12	10 ~ 13.8	34.8	2.90	5000	190	63.3	0.95
OD1238-24HBXJ10A	24	16 ~ 25.1	50.4	2.10	6000	227	69.1	1.3
OD1238-24MBXJ10A	24	16 ~ 25.1	33.6	1.40	5000	190	63.3	0.95



PWM Max High Voltage: 5V  
 PWM Max Sink Current: 5mA  
 PWM Frequency Range: 18KHz-30KHz  
 PWM Typical Frequency: 25KHz  
 RPM at 0% Duty Cycle: 0 RPM  
 RPM will be full speed if PWM input is disconnected.  
 Tach Max Pullup Voltage: Fan Vcc  
 Tach Max Sink Current: 5mA  
 Tach Cycles per Rotation: 2