

2367198-4 ✓ ACTIVE

TE Internal #: 2367198-4

Housing, Plug / Receptacle, Wire-to-Board, 4 Position, .039 in [1 mm] Centerline, Crimp, 1 Row, Black, Mating Retention, Wire & Cable, Signal

[View on TE.com >](#)



Connectors > PCB Connectors > Wire-to-Board Connectors > Wire-to-Board Connector Assemblies & Housings



Connector Product Type: **Housing**

Connector & Housing Type: **Plug, Receptacle**

Connector System: **Wire-to-Board**

Number of Positions: **4**

Centerline (Pitch): **1 mm [ .039 in ]**

## Features

### Product Type Features

Connector Product Type	Housing
Connector & Housing Type	Plug, Receptacle
Connector System	Wire-to-Board
Sealable	No
Connector & Contact Terminates To	Wire & Cable

### Configuration Features

Number of Positions	4
Number of Rows	1

### Body Features

Primary Product Color	Black
-----------------------	-------

### Contact Features

Contact Current Rating (Max)	2 A
------------------------------	-----

### Termination Features

Termination Method to Wire & Cable	Crimp
------------------------------------	-------



### Mechanical Attachment

Mating Retention	With
Connector Mounting Type	Board Mount

### Housing Features

Centerline (Pitch)	1 mm [.039 in]
--------------------	----------------

### Usage Conditions

Operating Temperature Range	-40 – 85 °C [-40 – 185 °F]
-----------------------------	----------------------------

### Operation/Application

Circuit Application	Signal
---------------------	--------

### Packaging Features

Packaging Quantity	5000
Packaging Method	Bag

### Product Compliance

[For compliance documentation, visit the product page on TE.com>](#)

EU RoHS Directive 2011/65/EU	Compliant
EU ELV Directive 2000/53/EC	Not Yet Reviewed
China RoHS 2 Directive MIIT Order No 32, 2016	No Restricted Materials Above Threshold
EU REACH Regulation (EC) No. 1907/2006	Current ECHA Candidate List: JUNE 2023 (235) Candidate List Declared Against: JAN 2023 (233) Does not contain REACH SVHC
Halogen Content	Low Halogen - Br, Cl, F, I < 900 ppm per homogenous material. Also BFR/CFR/PVC Free
Solder Process Capability	Not reviewed for solder process capability

#### Product Compliance Disclaimer

This information is provided based on reasonable inquiry of our suppliers and represents our current actual knowledge based on the information they provided. This information is subject to change. The part numbers that TE has identified as EU RoHS compliant have a maximum concentration of 0.1% by weight in homogenous materials for lead, hexavalent chromium, mercury, PBB, PBDE, DBP, BBP, DEHP, DIBP, and 0.01% for cadmium, or qualify for an exemption to these limits as defined in the Annexes of Directive 2011/65/EU (RoHS2). Finished electrical and electronic equipment products will be CE marked as required by Directive 2011/65/EU. Components may not be CE marked. Additionally, the part numbers that TE has identified as EU ELV compliant have a maximum concentration of 0.1% by weight in homogenous materials for lead, hexavalent chromium, and mercury, and 0.01% for cadmium, or qualify for an exemption to these limits as defined in the Annexes of Directive 2000/53/EC (ELV). Regarding the REACH Regulation, the information TE provides on SVHC in articles for this part number is based on the latest European Chemicals Agency (ECHA) 'Guidance on requirements for substances in articles' posted at this URL: <https://echa.europa.eu/guidance-documents/guidance-on-reach>

## Compatible Parts



TE Part # 2367196-4  
1.0mm WTB RIGHT ANGLE TYPE WITH LATCH



TE Part # 2367197-4  
1.0mm WTB Side Vertical Type With Latch



TE Part # 2367199-1  
1.0mm WTB Contact

## Customers Also Bought



TE Part #2213678-6  
Z35 MINI LED HOLDER 13.5\*13.5MM CSK



TE Part #1376136-1  
DYNAMIC D2100 HDR H ASSY 6P X



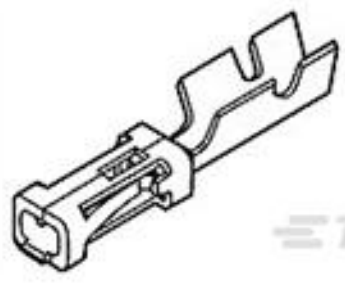
TE Part #2-1445094-3  
MICRO MNL HDR ASSY S/ROW AU LF



TE Part #2-1445057-3  
MICRO MNL HDR ASSY SINGLE ROW



TE Part #1337810-2  
50 OHM COAX SMA STR PLUG ELB P



TE Part #86016-5  
MOD IV RECP LP



TE Part #2-1445051-3  
MICRO MNL HDR ASSY S/ROW LF



TE Part #2367197-6  
1.0mm WTB Side Vertical Type With Latch



TE Part #2367198-6  
1.0 WTB HOUSING WITH LATCH

## Documents

### Product Drawings

1.0 WTB HOUSING WITH LATCH

English

### CAD Files

3D PDF



3D

Customer View Model

[ENG\\_CVM\\_CVM\\_2367198-4\\_4.2d\\_dxf.zip](#)

English

Customer View Model

[ENG\\_CVM\\_CVM\\_2367198-4\\_4.3d\\_igs.zip](#)

English

Customer View Model

[ENG\\_CVM\\_CVM\\_2367198-4\\_4.3d\\_stp.zip](#)

English

By downloading the CAD file I accept and agree to the [Terms and Conditions](#) of use.

---

### Datasheets & Catalog Pages

[1.0MM PITCH WTB CONNECTOR](#)

English

[HPI Connectors QRG](#)

English

[1-1773713-2-hpi-connectors-brochure-cn](#)

---

### Product Specifications

[1.0P Wire to Board Connector with Latch](#)

English