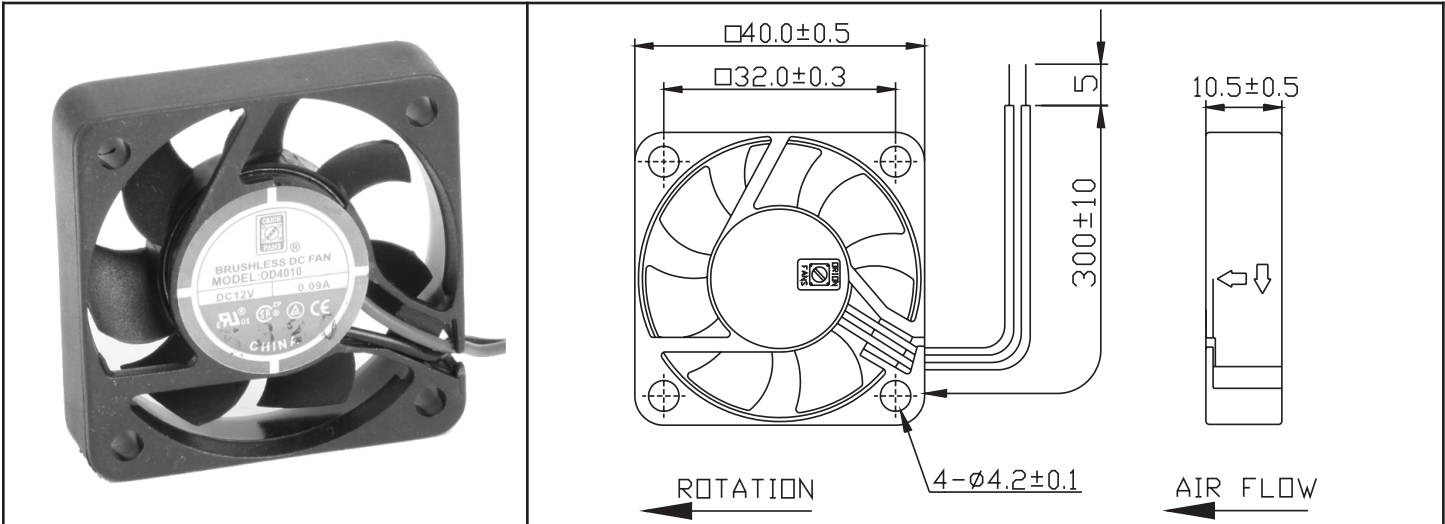


OD4010 Series



DC Fan - 5, 12, 24V
40 x 10mm (1.58" x 0.39")



Frame & Impeller	PBT, UL94V-0 plastic	Available Options: Tachometer Alarm PWM Sleeve bearing Life Expectancy (L10) Ball - 60,000 hrs (45C) Sleeve - 30,000 hrs (45C) Operating Temperature Ball: -20C ~ +75C Weight: ~ 0.04 lbs	
Connection	2x Lead wires 26AWG		
Motor	Brushless DC, auto restart, impedance and polarity protected		
Bearing System	Ball bearing		
Insulation Resistance	10M ohm between leadwire and frame (500VDC)		
Dielectric Strength	1 minute at 500 VAC, max leakage < 500 MicroAmp		
Storage Temperature	-40C ~ +80C		

Model Number	Speed (RPM)	Airflow (CFM)	Noise (dB)	Volts DC	Voltage Range (VDC)	Amps	Max. Static Pressure ("H ₂ O)
OD4010-05H*	6000	7	25	5	4 ~ 5.5	0.19	0.10
OD4010-05M*	4800	6	20	5	4 ~ 5.5	0.11	0.08
OD4010-05L*	4200	5	14	5	4 ~ 5.5	0.08	0.06
OD4010-12H*	6000	7	25	12	10.8 ~ 13.2	0.10	0.10
OD4010-12M*	4800	6	20	12	10.8 ~ 13.2	0.08	0.08
OD4010-12L*	4200	5	14	12	10.8 ~ 13.2	0.07	0.06
OD4010-24H*	6000	7	25	24	21.6 ~ 26.4	0.09	0.10
OD4010-24M*	4800	6	20	24	21.6 ~ 26.4	0.08	0.08
OD4010-24L*	4200	5	14	24	21.6 ~ 26.4	0.07	0.06

To indicate sleeve bearing replace "B" suffix with "S" in part number (30,000 hrs life expectancy)
 To indicate sealed sleeve bearing replace "B" with "SS" in part number (50,000 hrs life expectancy)