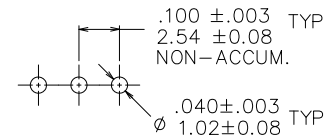
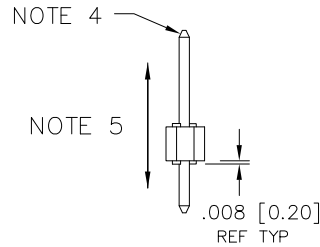
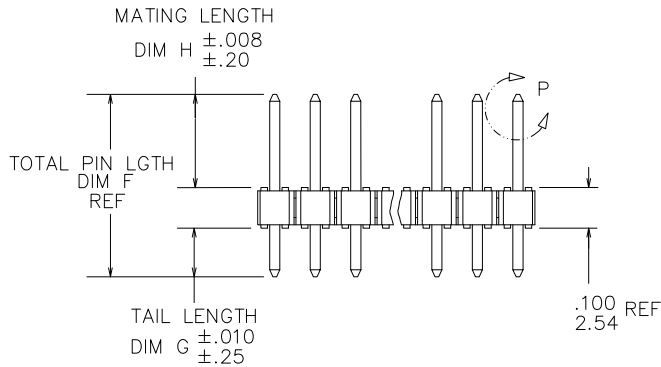


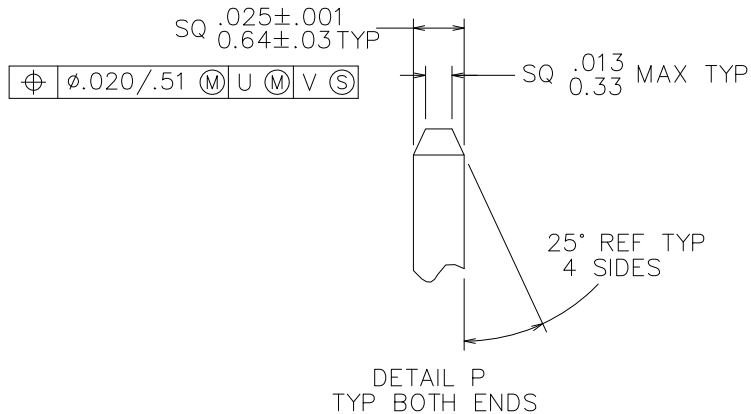
PRODUCT NUMBER

10129378 - X YY XXX X LF

- LEAD FREE OPTION (SEE NOTES 7)
- PACKAGING OPTIONS (SEE NOTE 3)
- INDICATES DIFFERENT MATING LENGTH TAIL LENGTH AND OTHER OPTIONS (SEE TABLE IN SHEET 2)
- NO OF POSITIONS (SEE NOTE 2)
- PIN PLATING (SEE SHEET 2)
- BASE PART NO.



RECOMMENDED HOLE PATTERN



mat'l. code SEE NOTE 2		surface ISO 1302 ✓		tolerance ISO 406 ISO 1101		projection INCH/mm		product family ECONOSTIK	
ltr	ecn no	dr	date	tolerances unless otherwise specified		INCH/mm		title	
A	NEW	ZK	04/23/14	angles	.xxx±0.01/.X±0.3	scale 1:1		ECONOSTIK HEADER	
B	ELX-N-18529	ZK	08/14/14	linear	.xxx±0.008/.xx±0.20			.100/2.54cc SR STRAIGHT	
C	ELX-N-29171	MZ	01/29/18	X'±2'	.xxxx±0.0040/.xxx±0.100				
D	ELX-N-45076	MKX	06/17/22	dr	ZK HU 04/23/14	Amphenol FCI		dwg no sheet 1 of 2 size	
				enr	MKX 06/17/22			10129378 A4	
				chr	LQ LEI 06/17/22				
				appd	TIM YAO 06/17/22			type Product Customer Drawing	
sheet index	revision sheet	D	D						
		1	2						

PRODUCT NUMBER	TOTAL PIN LENGTH		TAIL LENGTH		MATING LENGTH	
	DIM F	DIM F	DIM G	DIM G	DIM H	DIM H
	ENGLISH	METRIC	ENGLISH	METRIC	ENGLISH	METRIC
10129378-XYY001XLF	0.450	11.43	0.120	3.05	0.230	5.84
10129378-XYY002XLF	0.420	10.67	0.090	2.29	0.230	5.84
10129378-XYY003XLF	0.538	13.67	0.120	3.05	0.318	8.08
10129378-XYY004XLF	0.508	12.91	0.090	2.29	0.318	8.08
10129378-XYY005XLF	0.591	15.00	0.118	3.00	0.372	9.46

PIN PLATING CODES:	
10129378-9YYXXXLF	GOLD FLASH PLATING OVER 50u"/1.27u MIN Ni

NOTES:

- MATERIAL
BODAY MATERIAL: HIGH TEMPERATURE THERMOPLASTIC.
FLAME UL94-V0, BLACK.
PIN MATERIAL: COPPER ALLOY.
- ANY NUMBER OF POSITIONS N FROM 1 TO 36,
PRODUCT MAYBE CUTTING TO POSITION,
THE CUTTING PLASH IS 0.02[0.51] MAX.
- PACKING STYLE DEFINITION.
B: PACKED WITH POLY BAG
T: PACKED WITH TUBE
A: PACKED WITH TAPE AND REEL WITH PICK UP CAP
C: PACKED WITH TAPE AND REEL WITHOUT PICK UP CAP
- TWO SIDES OF PIN TIPS NOT PLATED, TYPICAL BOTH ENDS.
- 2LBS/0.9KG MIN PIN RETENTION IN EITHER DIRECTION BEFORE REFLOW.
- THE OAL DON'T EXCEED 1 INCH / 25.4MM.
- ADD LF AT THE END OF PART NUMBER IS FOR LEAD FREE.
- THESE PRODUCT MEETS EUROPEAN UNION DIRECTIVES AND OTHER COUNTRY REGULATION AS DESCRIBED IN GS-22-008.
- PRODUCT SPECIFICATION: GS-12-1223.
- THIS PRODUCT WILL WITHSTAND EXPOSURE TO 260°C PEAK TEMPERATURE FOR 20 SECONDS IN WAVE SOLDER, INFRA-RED OR VAPOR PHASE SOLDER PROCESS.

mat'l. code SEE NOTE 2		surface ISO 1302 ✓	tolerance ISO 406 ISO 1101	projection 	product family ECONOSTIK
ltr	ecn no	dr	date	tolerances unless otherwise specified	title
D				.xxx±0.01/.X±0.3	ECONOSTIK HEADER .100/2.54cc SR STRAIGHT
				.xxx±0.008/.xx±0.20	
				.xxxx±0.0040/.xxxx±0.100	
				angles linear	INCH/mm
				X'±2'	scale 1:1
		dr	ZK HU	04/23/14	dwg no
		enr	MKX	06/17/22	sheet 2 of 2
		chr	LQ LEI	06/17/22	10129378
		appd	TIM YAO	06/17/22	size A4
sheet index	revision sheet				type Product Customer Drawing