

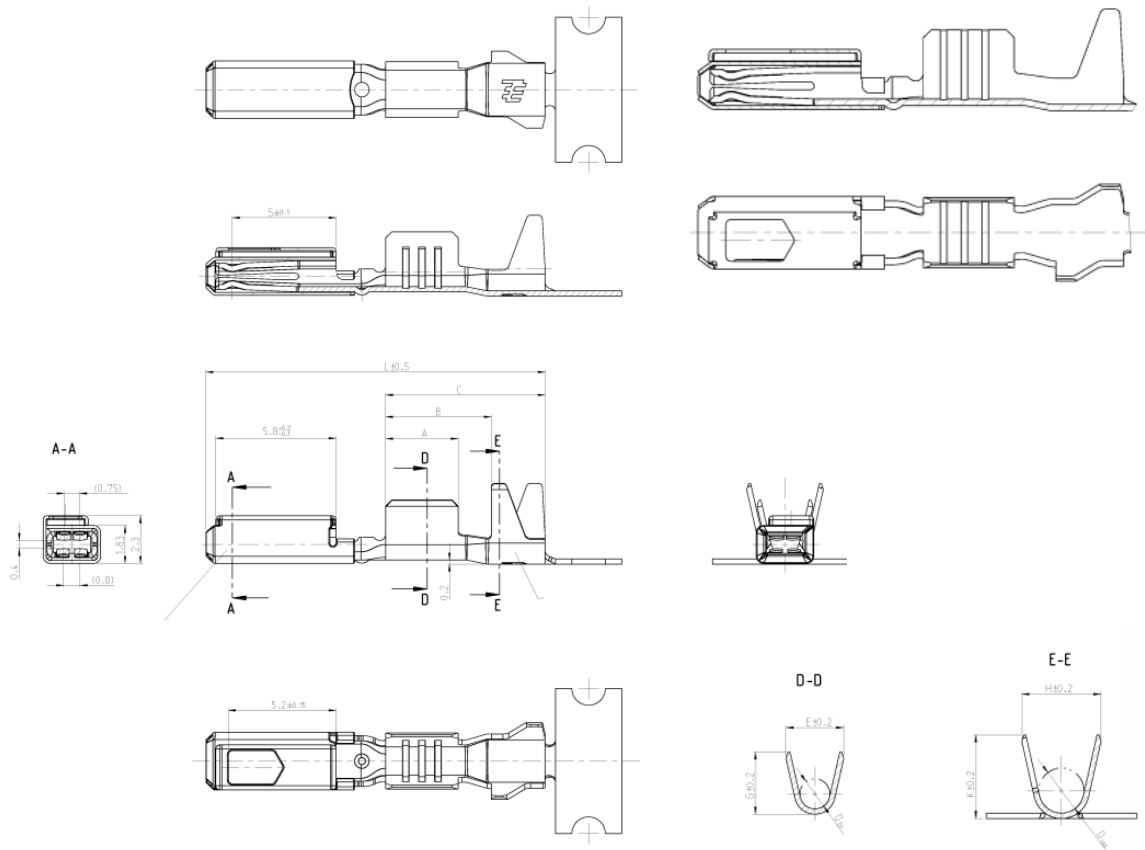
Professionally approved products.

## Datasheet

# Contact female 0.75-1.5mm<sup>2</sup> Quadlock

RS Stock number [718-0881](#)

Dimensions: mm



## Specifications

- Contact only for special test- applications (high mating- cycles) not for series- application
- For FLR- Conductor according to DIN 72551-6 only
- Surface: Uncoated, Material CuNi12Zn24