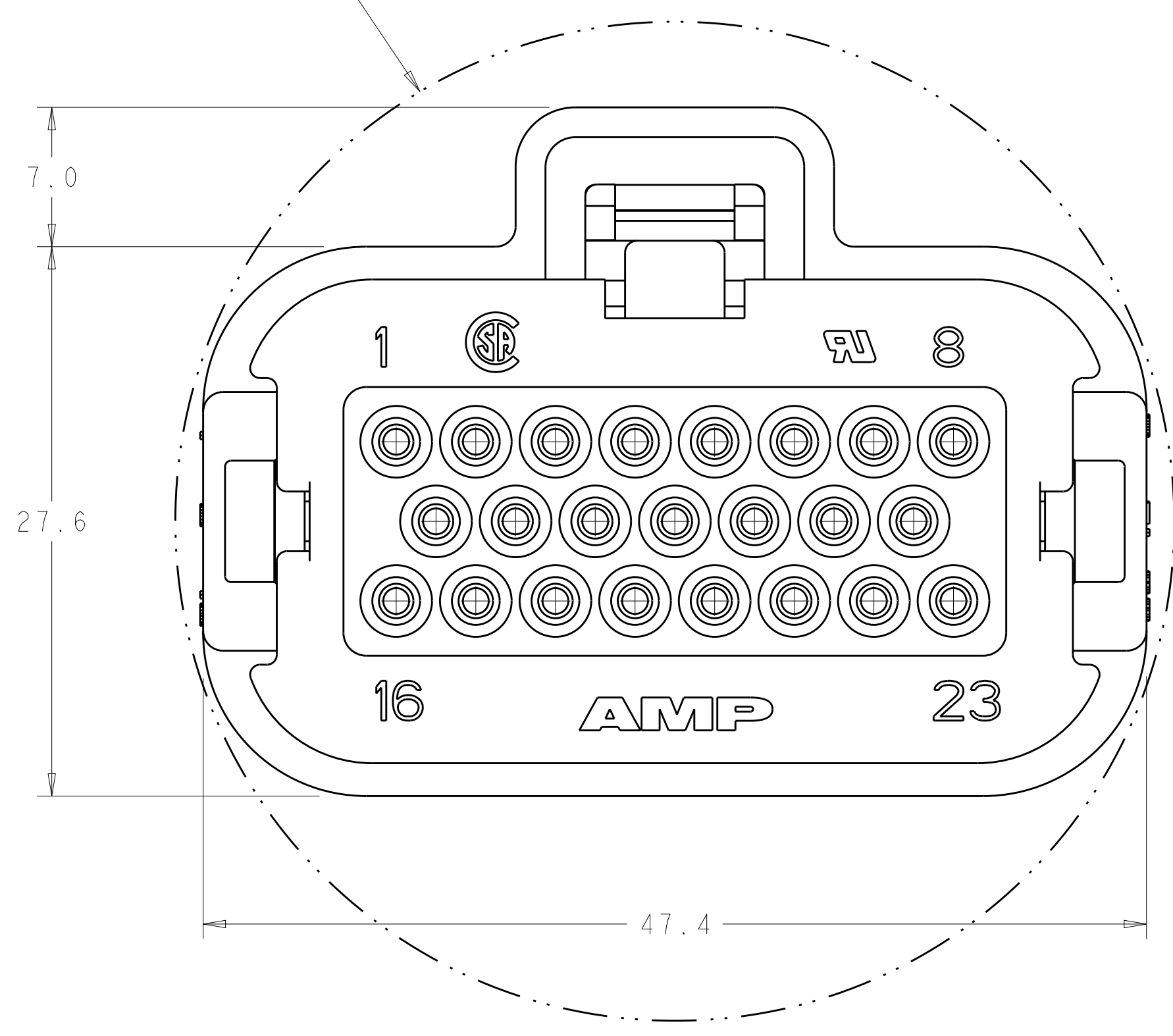
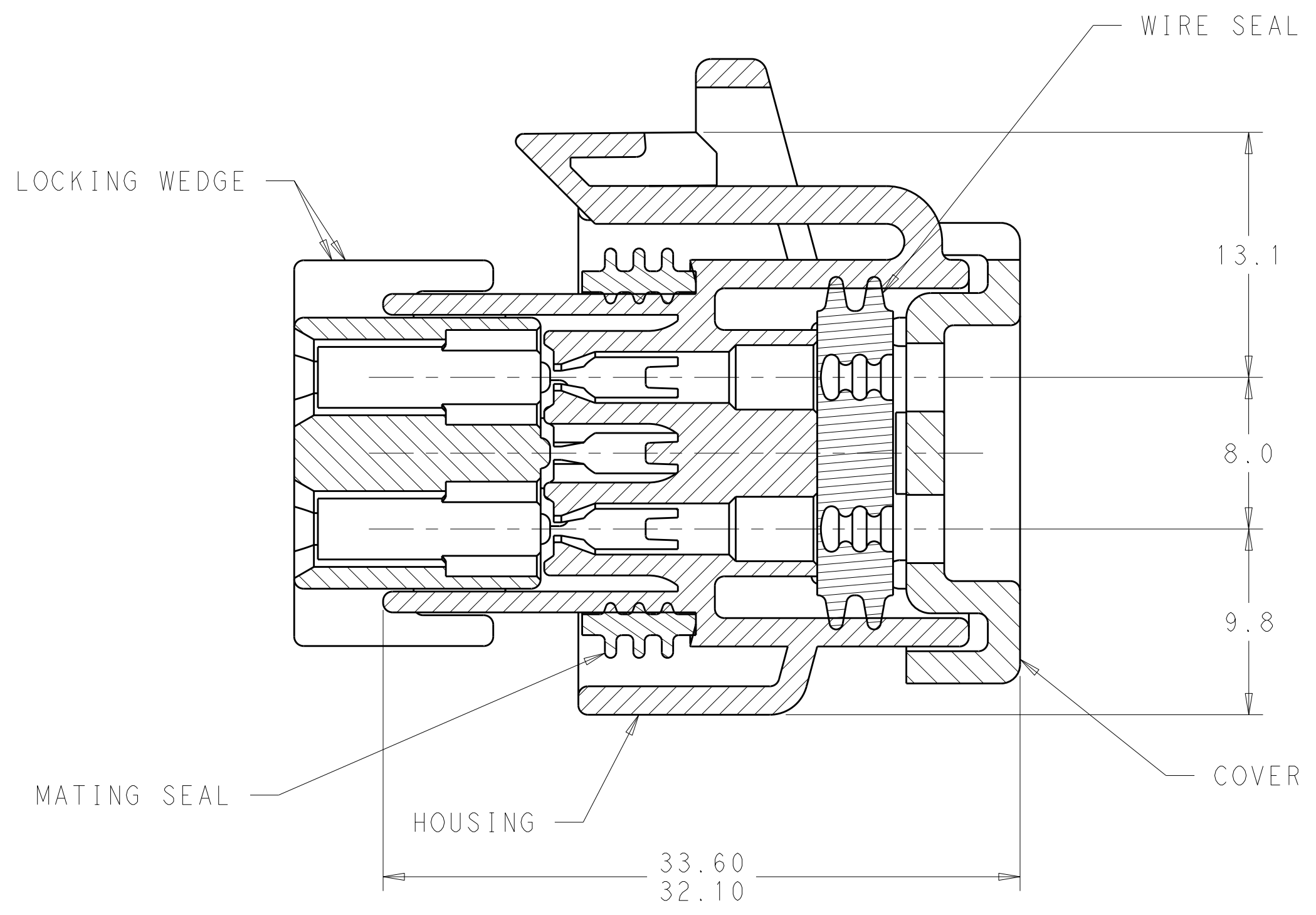
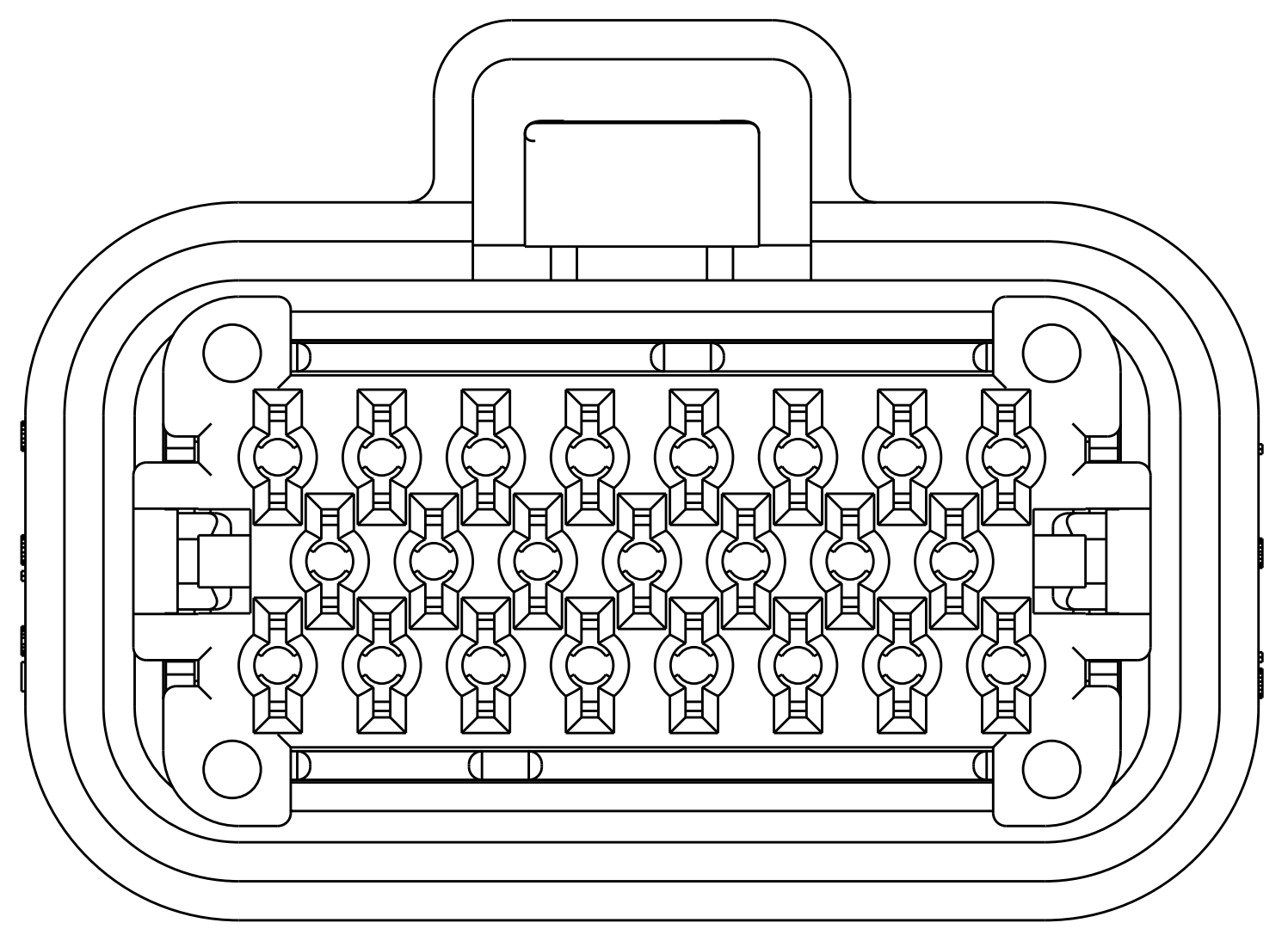


LOC	DIST	REV	DATE	BY	CHK	APPV
HK	00	J	03NOV2009	RGV	DCS	

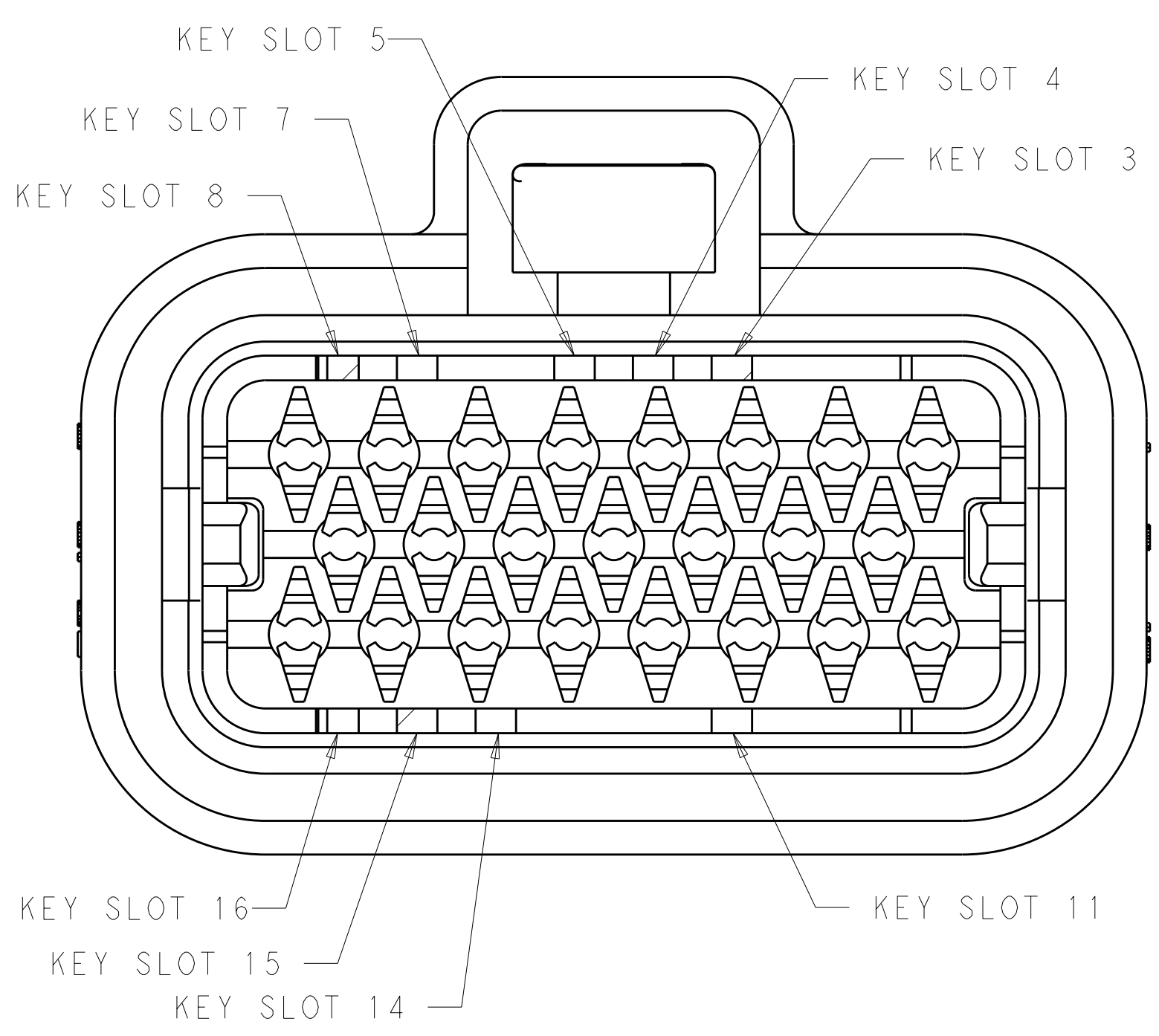
ASSEMBLY WILL PASS THRU Ø50 OPENING



△ HOUSING COLORS ARE MECHANICALLY KEYED TO MATE WITH IDENTICALLY COLORED HEADER ASSEMBLIES.
 2. 770680-1 SHOWN



BOTTOM VIEW WITH LOCKING WEDGE



KEY SLOT LOCATIONS

KEY SLOT LOCATION (SEE VIEW ABOVE)	PART NUMBER
3, 8 & 16	770680-5
7 & 15	770680-4
4 & 14	770680-3
5 & 11	770680-2
4 & 14	770680-1

COVER	WIRE SEAL	MATING SEAL	LOCKING WEDGE	HOUSING	CIRCUITS MOLDED CLOSED	PART NUMBER
GLASS FILLED PBT, BLACK	SILICONE RUBBER, RED	SILICONE RUBBER, RED	PBT, RED	PBT, BLUE	NONE	770680-5
				PBT, GRAY	NONE	770680-4
				PBT, BLACK	3, 7, 16, 17, 21, 22	770680-3
				PBT, NATURAL	NONE	770680-2
				PBT, BLACK	NONE	770680-1

DIMENSIONS: mm 		TOLERANCES UNLESS OTHERWISE SPECIFIED: 9 PLC ± 1 PLC ±0.2 2 PLC ± 3 PLC ± 4 PLC ± ANGLES ± FINISH ±		DWN R. VESTAL 08SEP2009 CHK D. STRAUSSER 08SEP2009 APPV D. STRAUSSER 08SEP2009 PRODUCT SPEC 108-1329 APPLICATION SPEC 114-16016 WEIGHT - CUSTOMER DRAWING		Tyco Electronics Harrisburg, PA 17105-3608 PLUG ASSEMBLY, 23 POSITION, AMPSEAL SIZE CAGE CODE DRAWING NO. RESTRICTED TO A100779C=770680 SCALE 4:1 SHEET 1 OF 1 REV J	
--------------------	--	--	--	---	--	---	--