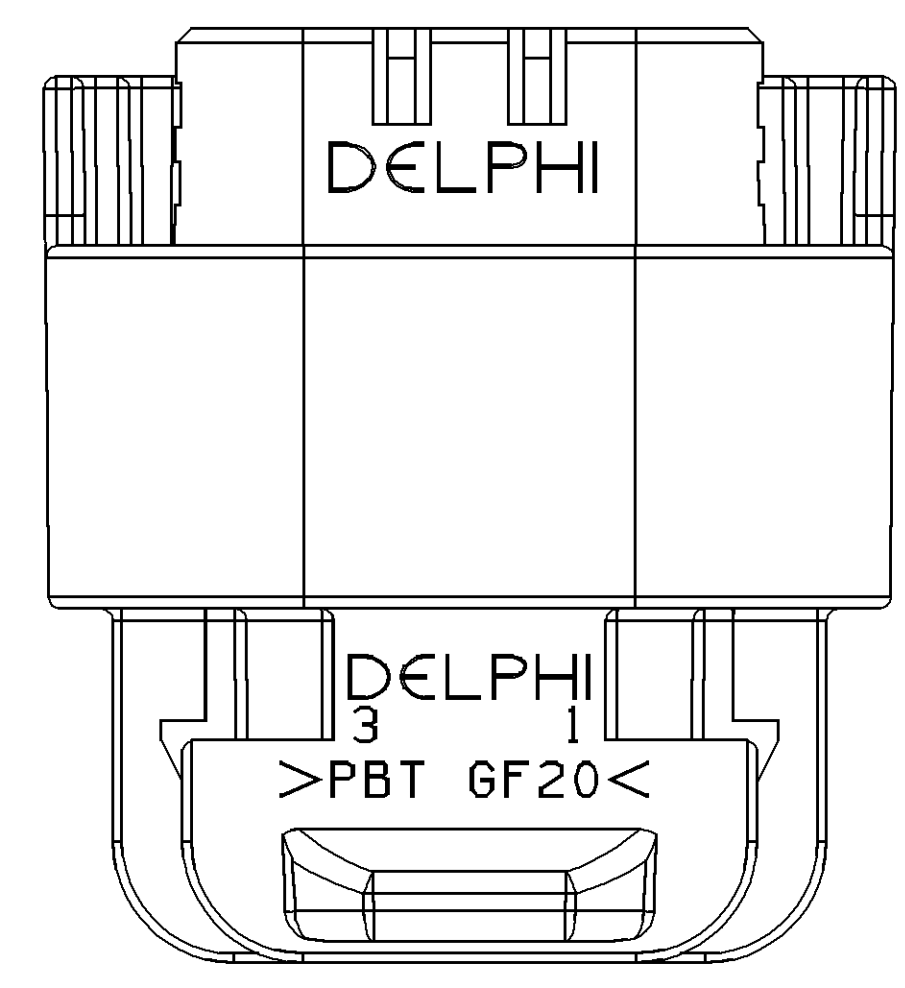
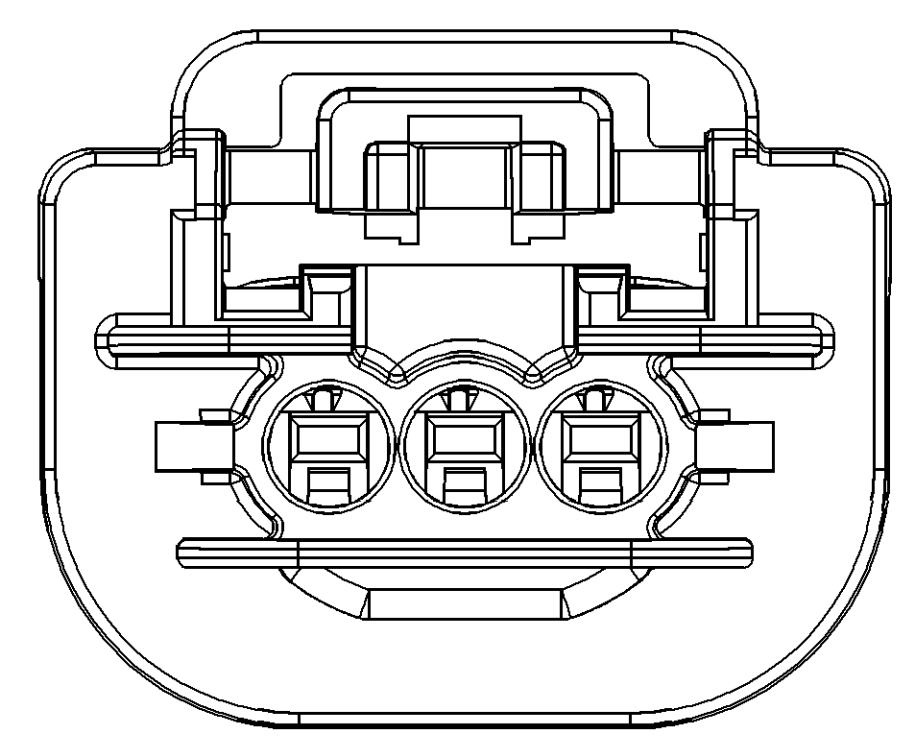
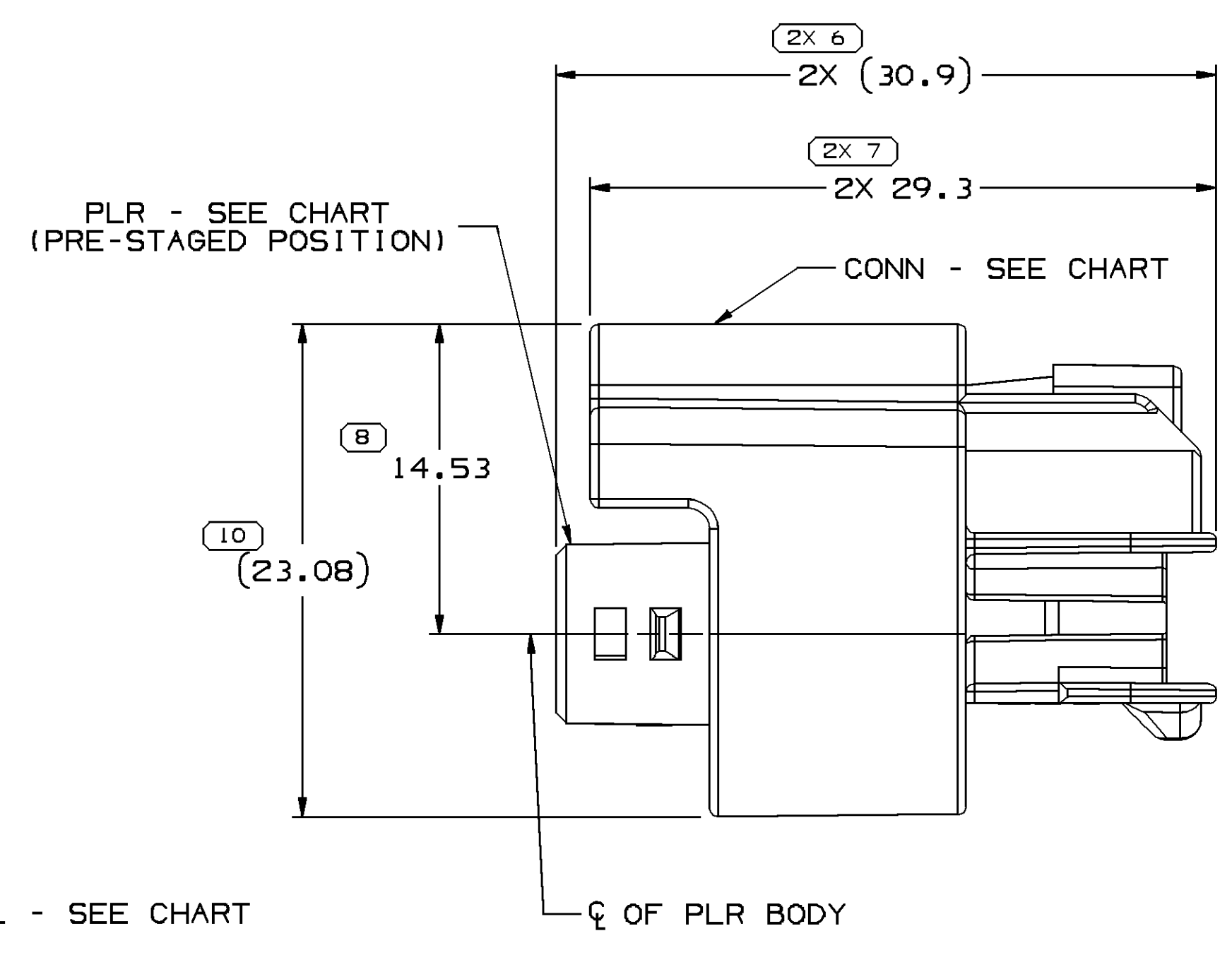
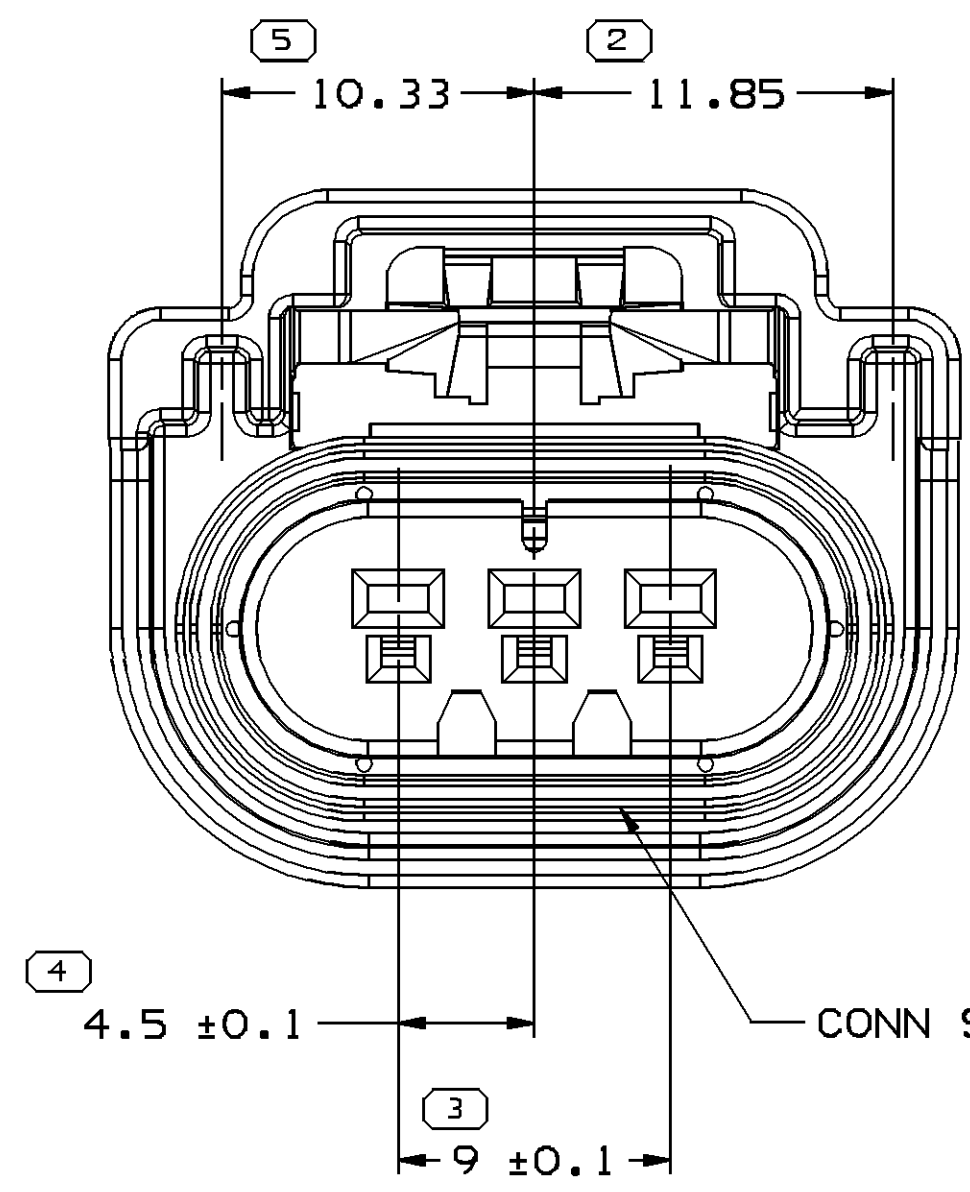
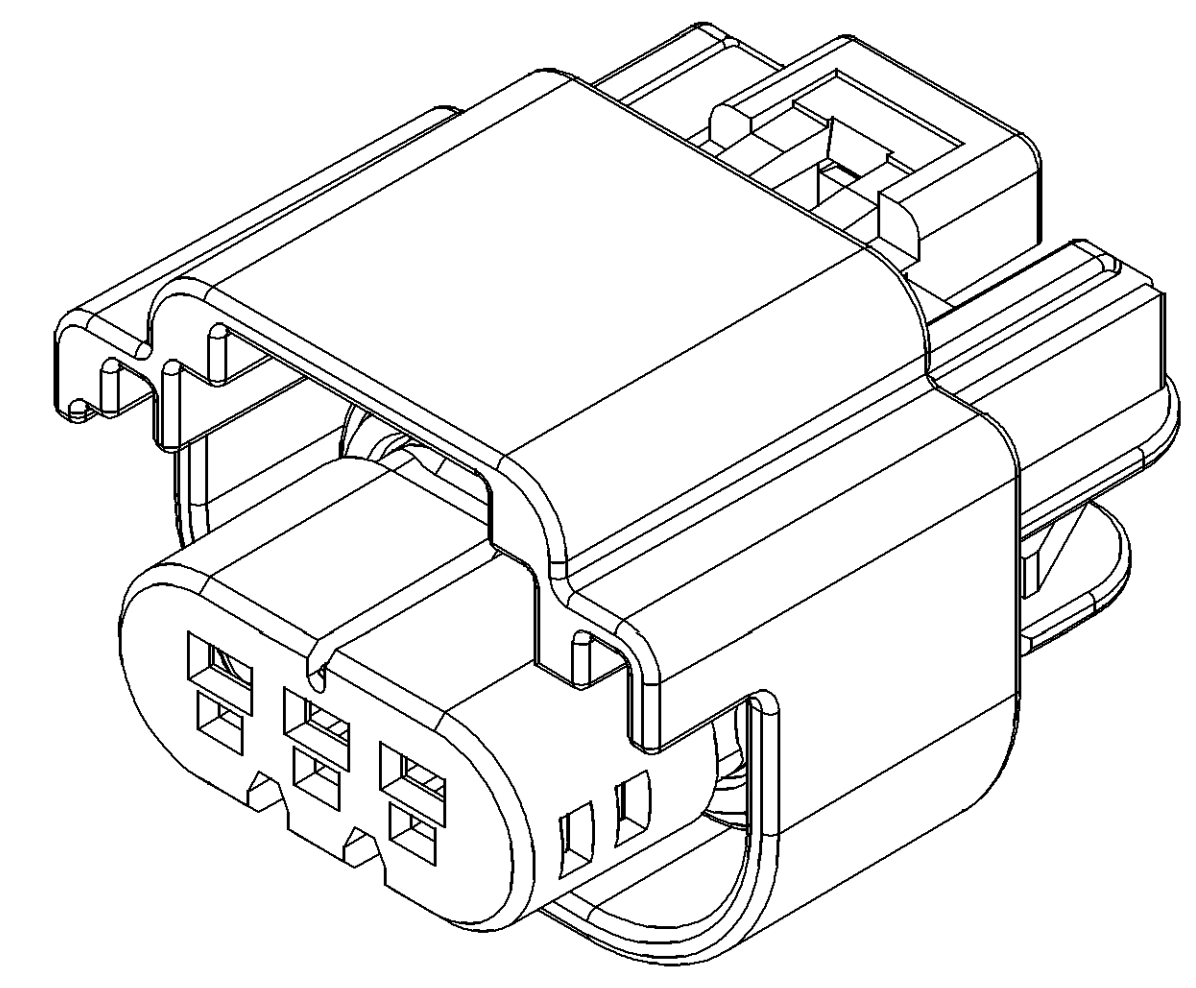
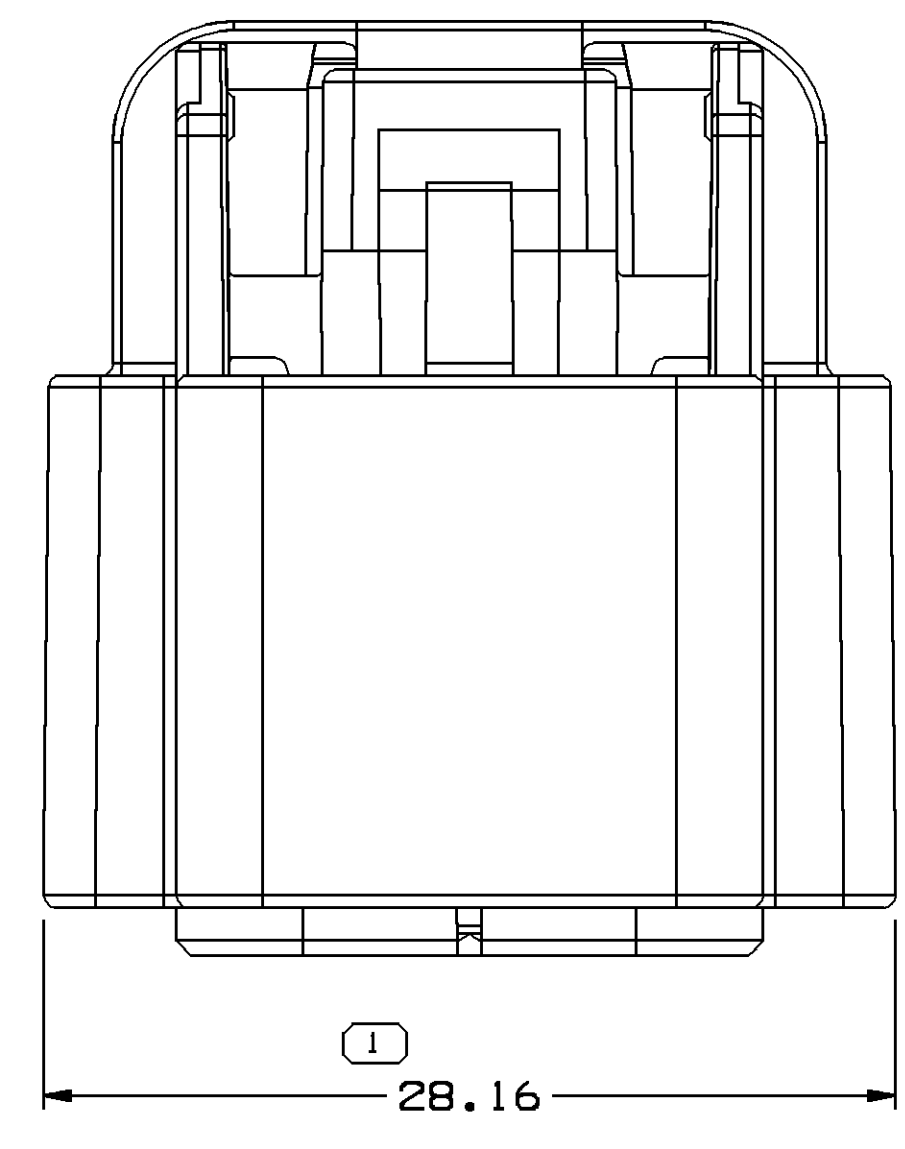


SYMBOL DEFINITION		MISSING SYMBOLS	
A DIMENSION WITHOUT AN INSPECTION REPORT SYMBOL DOES NOT REQUIRE INSPECTION. IT MAY BE CONTROLLED ON THE INDIVIDUAL COMPONENT DRAWING.	TOTAL NO OF INSPECTIONS REQUIRED	9	11
	LAST NO. USED		10

DWG STATUS				REVISION HISTORY				AUTH		DR		APVD	
DATE	STG	REV	N/P	CHG	ZONE								
08FE05	R	01	-	-		RELEASED		264561	END	END	RP		
15AP05	R	01	AA	-		REVISED NOTE 3		266225	ADK	ADK	RAP		
28AP05	R	01	AB	-		ADDED NOTES 3, 5 & 6 AND CONN SEAL HEADER IN CHART		267660	JVM	JVM	EJB		
23N005	R	01	AC	-		2X (30.9) WAS 2X 30.9, REMOVED "SEALING CODE" NOTE, "MAX INSULATION CRIMP" FROM TERMINAL & 8.39 DIM & ADDED "ALTERNATE MATING" TO PANEL NOTE, REVISED NOTE #5		274902	MAK	MAK	EJB		
22MR07	R	01	AD	-		UPDATED PDM ATTRIBUTES		400918	EFS	JAA	GGI		



- NOTES
- UNLESS OTHERWISE SPECIFIED AND/OR INDICATED:
DIMENSIONS ARE TO FACE OF VIEW SHOWN AND AUTOMATICALLY ROUNDED BY COMPUTER FOR INSPECTION (SEE MATH MODEL FOR PRECISE DIMENSIONS). FOR ALL OTHER DIMENSIONS NOT SHOWN BUT REQUIRED FOR TOOL BUILD, SEE MATH MODEL FOR PRECISE TOOL PATH DATA.
 - THIS PART IS NOT CONTROLLED FOR AUTOMATIC FEEDING.
 - THIS PART ACCEPTS THE FOLLOWING COMPONENTS OR EQUIVALENT:
TERMINAL 15326264
CABLE SEAL 15366021
CAVITY PLUG 15305171
TERMINAL POSITION ASSURANCE 15418545
CONNECTOR POSITION ASSURANCE 15317832
 - FOR PANEL TYPE MATING PART CONFIGURATION TO USCAR STANDARDS, SEE PRINT 15397305, 13549323 FOR ALTERNATE MATING CONFIGURATION.
TPA 15418545
CPA 15317832
 - THIS CONNECTOR MEETS OR EXCEEDS SAE/USCAR-2 AUGUST 1997 SECTION 5.3.1.2 TERMINAL DISENGAGE CRITERIA WITH THE APPLICATION OF A TERMINAL POSITION ASSURANCE (TPA) SECONDARY LOCK.

DWG TYPE PART DRAWING	
STYLE	
VOLUME (C/P)	DISTR CODE D
UNLESS OTHERWISE SPECIFIED THIS DOCUMENT IS IN ACCORDANCE WITH ASME Y14.5M-1994 AS AMENDED BY THE 0M GLOBAL DIMENSIONING AND TOLERANCING ADDENDUM-2001. SEPARATE PATTERNS OF FEATURES MAY BE GAGED SEPARATELY REGARDLESS OF DATUM REFERENCES.	
ALL DIMENSIONS ARE IN MILLIMETERS	
REFERENCE	
THIRD ANGLE PROJECTION	
DO NOT SCALE USE MATH DATA	
UNIGRAPHICS	

DELPHI	
DELPHI PACKARD ELECTRICAL/ELECTRONIC ARCHITECTURE WARREN, OH	
DR	DATE
APVD1 E. NEAL DUNHAM	08FE05
APVD2 E. NEAL DUNHAM	08FE05
APVD3 R. PUHL	08FE05
APVD4	
APVD5	
SUBSTANCES OF CONCERN AND RECYCLED CONTENT PER DELPHI 10945001	
MATERIAL SEE DRAWING	
DRAWING NAME ASM CONN 3 F 0T 150 BLK SLD	
DRAWING NUMBER 13522407	
SIZE A1	SCALE 4:1
FRAME NO 1 OF 1	SHEET NO 1 OF 1
STG R	REV 01
N/P AD	

13522407	13522004	15326810	15326811
PART NO	CONN	PLR	CONN SEAL

DIMENSIONAL RANGE (MM)		CHART ET	
FROM	TO		
> 0	> 20	> 30	> 70
> 20	> 30	> 70	> 100
> 30	> 70	> 100	> 150
> 70	> 100	> 150	> 200
> 100	> 150	> 200	> 250
> 150	> 200	> 250	> 300
> 200	> 250	> 300	> 400
TOLERANCE UNLESS OTHERWISE SPECIFIED			
±0.15		±0.2	
±0.2		±0.3	
±0.3		±0.4	
±0.4		±0.5	
±0.5		±0.6	
±0.6		±0.8	
±0.8		±1	
±1		±1.2	
ANGULAR TOLERANCE ±2°			

Mouser Electronics

Authorized Distributor

Click to View Pricing, Inventory, Delivery & Lifecycle Information:

[Aptiv:](#)

[13522407](#)