

# High Reliability Halloglic<sup>®</sup> Hall Effect Sensors

OMH090, OMH3075, OMH3040 (B, S versions)  
OMH3131B



Obsolete (OMH3019, OMH3020(B & S), OMH3131S)

## Features:

- Designed for non-contact switching operations
- Operates over a broad range of supply voltages
- Excellent temperature stability operates in harsh environments
- Suitable for military and space applications
- B and S versions are processed and screened to MIL-STD-883
- Through Hole 0.40" [10.16 mm] lead length minimum
- ESD Rating of Class 3B per MIL-STD-883G, M3015.7, HB model
- OMH090, 3075, and 3040 have gold plated leads and are RoHS compliant
- OMH3040B/S, and 3131B have a Sn 63/37 solder dip and are not RoHS compliant



Ceramic Package

## Description:

These Hall-effect devices contain a monolithic integrated circuit which incorporates a Hall element, a linear amplifier, a threshold amplifier, and Schmitt trigger on a single Halloglic<sup>®</sup> silicon chip. Included on-chip is a band-gap voltage regulator that allows operation with a wide range of supply voltages. These devices feature logic level output and provide up to 21 mA of sink current. This allows direct driving of more than 7 TTL loads or any standard logic family using power supplies ranging from 4.5 to 24 volts. Output amplitude is constant at switching frequencies from DC to over 200 kHz.

The **Uni-Polar** turns on with a (logic level "0") after a sufficient magnetic field from the south pole of a magnet approaches the symbolized face of the device (operating point) and turns off (logic level "1") after the magnetic field reaches a minimum value.

The **Bi-Polar** device turns on (logic level "0") in the presence of a magnetic south pole and turns off (logic level "1") when subjected to a magnetic north pole. Both magnetic poles are necessary for operation for Bi-Polar devices. This feature makes these sensors ideal for applications in non-contact switching operations, brushless DC motors and for use with multiple pole magnets.

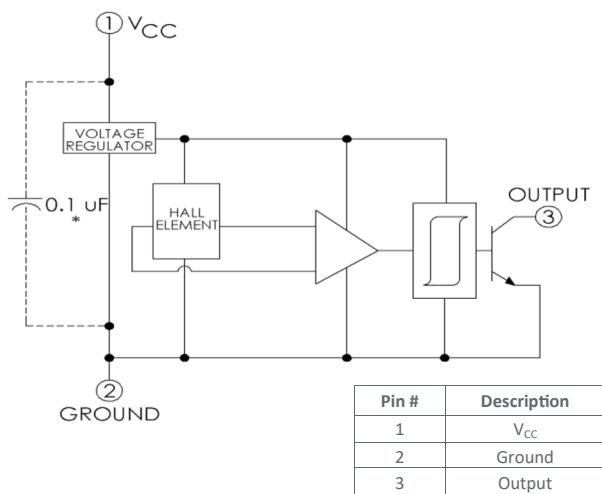
B and S devices are processed to OPTEK's military screening program patterned after MIL-STD-883.

This product has passed Radiation Hardness testing up to 350 Krad (si) per MIL-STD-883 method 1019.6 and up to 150 Krad (si) for ELDRS.

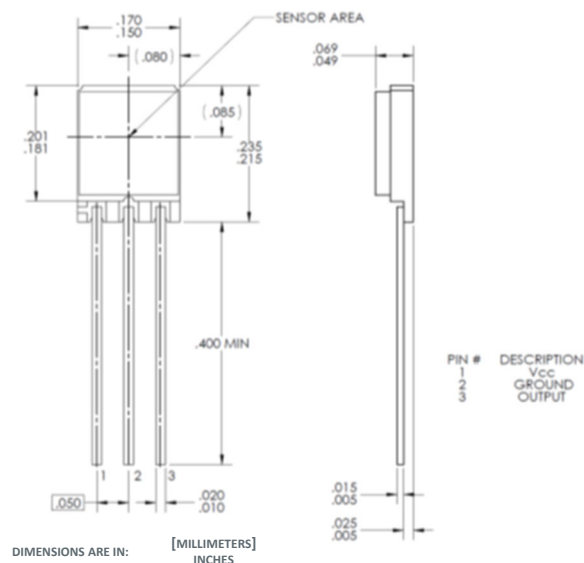
Contact your local representative or OPTEK for more information.

## Applications:

- Non-contact switching operations
- Brushless DC motors
- Multiple pole magnets
- Non-contact reflective object sensor
- Assembly line automation
- Machine automation
- Machine safety
- End of travel sensor
- Door sensor



\* Add capacitor for stable operation



## General Note

TT Electronics reserves the right to make changes in product specification without notice or liability. All information is subject to TT Electronics' own data and is considered accurate at time of going to print.

TT Electronics | OPTEK Technology  
2900 E. Plano Pkwy, Plano, TX 75074 | Ph: +1 972 323 2200  
www.ttelectronics.com | sensors@ttelectronics.com

# High Reliability Halloglic® Hall Effect Sensors

OMH090, OMH3075, OMH3040 (B, S versions)  
OMH3131B



Obsolete (OMH3019, OMH3020(B & S), OMH3131S)

## Electrical Specifications

**Absolute Maximum Ratings** (T<sub>A</sub> = 25 °C unless otherwise noted)

Supply Voltage, V <sub>CC</sub>	25 V
Storage Temperature Range, T <sub>S</sub>	-65 °C to +150 °C
Operating Temperature Range, T <sub>A</sub>	-55 °C to +150 °C
Lead Soldering Temperature (1/8 in. (3.2 mm) from case for 5 seconds with soldering iron)	260 °C <sup>(1)</sup>
Output ON Current, I <sub>SINK</sub>	25 mA
Output OFF Voltage, V <sub>OUT</sub>	25 V
Magnetic Flux Density, B	Unlimited

Notes:

- (1) Heat sink leads during hand soldering.

**Electrical Characteristics** (T<sub>A</sub> = 25 °C unless otherwise noted)

Part Number	Hi-Reliability Halloglic® Sensor	Operate Point Gauss MIN / TYP / MAX	Release Point Gauss MIN / TYP / MAX	Hysteresis Gauss MIN / TYP / MAX	V <sub>CC</sub> (VOLTS) MIN / MAX	Package
OMH090B	Uni-Polar Non-Latching	50 / 90 / 180	30 / 65 / 160	10 / 30 / 60	4.5 / 24.0	Through Hole
OMH090S						
OMH3019B (Obsolete)		175 / 300 / 500	125 / 235 / 420	30 / 100 / 155		
OMH3019S (Obsolete)						
OMH3020B (Obsolete)		70 / 220 / 350	50 / 180 / 330	15 / 55 / 200		
OMH3020S (Obsolete)						
OMH3040B		70 / 150 / 200	50 / 115 / 180	10 / 35 / 60		
OMH3040S						
OMH3131B		20 / 60 / 95	10 / 45 / 85	5 / 15 / 40		
OMH3131S (Obsolete)						
OMH3075B	Bi-Polar Latching	50 / 150 / 250	-250 / -150 / -50	100 / 250 / 500		
OMH3075S						

**General Note**

TT Electronics reserves the right to make changes in product specification without notice or liability. All information is subject to TT Electronics' own data and is considered accurate at time of going to print.

TT Electronics | OPTEK Technology  
2900 E. Plano Pkwy, Plano, TX 75074 | Ph: +1 972 323 2200  
www.ttelectronics.com | sensors@ttelectronics.com

# High Reliability Halloglic® Hall Effect Sensors

OMH090, OMH3075, OMH3040 (B, S versions)  
OMH3131B



Obsolete (OMH3019, OMH3020(B & S), OMH3131S)

## Electrical Specifications

Electrical Characteristics ( $V_{CC} = 4.5\text{ V to }24\text{ V}$ ,  $T_A = 25\text{ °C}$  unless otherwise noted)

OMH090, OMH090B, OMH090S Uni-Polar

SYMBOL	PARAMETER	MIN	TYP	MAX	UNITS	TEST CONDITIONS
$B_{OP}$	Magnetic Operate Point <sup>(1)</sup>	45 50 20	- 90 -	210 180 180	Gauss	-55 °C +25 °C +125 °C
$B_{RP}$	Magnetic Release Point	25 30 25	- 65 -	150 160 140	Gauss	-55 °C +25 °C +125 °C
$B_H$	Magnetic Hysteresis	5 10	- 30	95 60	Gauss	-55 °C +25 °C & +125 °C
$I_{CC}$	Supply Current	- - -	- 5 -	9 11 5	mA	-55 °C, $V_{CC} = 24\text{ V}$ , Output Off, $B \geq 30\text{ Gauss}$ +25 °C +125 °C
$V_{OL}$	Output Saturation Voltage	- -	- 125	300 400	mV	-55 °C, $V_{CC} = 4.5\text{ V}$ , $I_{OL} = 30\text{ mA}$ , $B \geq 200\text{ Gauss}$ +25 °C & +125 °C
$I_{OH}$	Output Leakage Current	- - -	- 0.50 -	10 11 12	$\mu\text{A}$	-55 °C, $V_{CC} = 24\text{ V}$ , $V_{OUT} = 24\text{ V}$ , $B \leq 30\text{ Gauss}$ +25 °C +125 °C
$t_r$	Output Rise Time	-	0.13	1.00	$\mu\text{s}$	$R_L = 820\ \Omega$ , $C_L = 20\text{ pF}$ , $V_{CC} = 14\text{ V}$ (guaranteed not tested)
$t_f$	Output Fall Time	-	0.14	1.00	$\mu\text{s}$	$R_L = 820\ \Omega$ , $C_L = 20\text{ pF}$ , $V_{CC} = 14\text{ V}$ (guaranteed not tested)

Electrical Characteristics ( $V_{CC} = 4.5\text{ V to }24\text{ V}$ ,  $T_A = 25\text{ °C}$  unless otherwise noted)

OMH3040, OMH3040B, OMH3040S Uni-Polar

SYMBOL	PARAMETER	MIN	TYP	MAX	UNITS	TEST CONDITIONS
$B_{OP}$	Magnetic Operate Point <sup>(1)</sup>	70 75	150 -	200 270	Gauss	+25 °C -55 °C & +125 °C
$B_{RP}$	Magnetic Release Point	50 25	115 -	180 210	Gauss	+25 °C -55 °C & +125 °C
$B_H$	Magnetic Hysteresis	10 10	35 -	60 -	Gauss	+25 °C -55 °C & +125 °C
$I_{CC}$	Supply Current	- -	4 -	8 8 10	mA	+25 °C, $V_{CC} = 24\text{ V}$ , Output Off, $B \leq 50\text{ Gauss}$ +125 °C -55 °C
$V_{OL}$	Output Saturation Voltage	-	100	400	mV	$V_{CC} = 4.5\text{ V}$ , $I_{OL} = 20\text{ mA}$ , $B \geq 200\text{ Gauss}$
$I_{OH}$	Output Leakage Current	- - -	- 0.10 -	11 10 12	$\mu\text{A}$	-55 °C, $V_{CC} = 24\text{ V}$ , $V_{OUT} = 24\text{ V}$ , $B \leq 25\text{ Gauss}$ +25 °C, $V_{CC} = 24\text{ V}$ , $V_{OUT} = 24\text{ V}$ , $B \leq 50\text{ Gauss}$ +125 °C, $V_{CC} = 24\text{ V}$ , $V_{OUT} = 24\text{ V}$ , $B \leq 25\text{ Gauss}$
$t_r$	Output Rise Time	-	0.21	1	$\mu\text{s}$	$R_L = 820\ \Omega$ , $C_L = 20\text{ pF}$ , $V_{CC} = 12\text{ V}$ (guaranteed not tested)
$t_f$	Output Fall Time	-	0.10	1	$\mu\text{s}$	

Notes:

(1) South pole facing symbolized surface.

### General Note

TT Electronics reserves the right to make changes in product specification without notice or liability. All information is subject to TT Electronics' own data and is considered accurate at time of going to print.

TT Electronics | OPTEK Technology  
2900 E. Plano Pkwy, Plano, TX 75074 | Ph: +1 972 323 2200  
www.ttelectronics.com | sensors@ttelectronics.com

# High Reliability Halloglic<sup>®</sup> Hall Effect Sensors

## OMH090, OMH3075, OMH3040 (B, S versions) OMH3131B



Obsolete (OMH3019, OMH3020(B & S), OMH3131S)

### Electrical Specifications

**Electrical Characteristics** ( $V_{CC} = 4.5\text{ V to }24\text{ V}$ ,  $T_A = 25\text{ °C}$  unless otherwise noted)

**OMH3075, OMH3075B, OMH3075S Bi-Polar Latching**

SYMBOL	PARAMETER	MIN	TYP	MAX	UNITS	TEST CONDITIONS
$B_{OP}$	Magnetic Operate Point <sup>(1)</sup>	50 25	150 -	250 275	Gauss	+25 °C -55 °C & +125 °C
$B_{RP}$	Magnetic Release Point	-250 -275	-150 -	-50 -25	Gauss	+25 °C -55 °C & +125 °C
$B_H$	Magnetic Hysteresis	100 50	250 -	500 -	Gauss	+25 °C -55 °C & +125 °C
$I_{CC}$	Supply Current	- -	4 -	8 8 10	mA	+25 °C, $V_{CC} = 24\text{ V}$ , (Output Off), $B \leq -250$ Gauss +125 °C -55 °C
$V_{OL}$	Output Saturation Voltage	- - -	- 100 -	500 400 400	mV	-55 °C +25 °C, $V_{CC} = 4.5\text{ V}$ , $I_{OL} = 20\text{ mA}$ , $B \geq 250$ Gauss +125 °C
$I_{OH}$	Output Leakage Current	-	0.10	1.0	μA	$V_{CC} = 24\text{ V}$ , $V_{OUT} = 24\text{ V}$ , $B \leq -250$ Gauss
$t_r$	Output Rise Time	-	0.21	1	μs	$R_L = 820\ \Omega$ , $C_L = 20\text{ pF}$ , $V_{CC} = 12\text{ V}$ (guaranteed not tested)
$t_f$	Output Fall Time	-	0.10	1	μs	

**Electrical Characteristics** ( $T_A = 25\text{ °C}$  unless otherwise noted)

**OMH3131B Uni-Polar**

SYMBOL	PARAMETER	MIN	TYP	MAX	UNITS	TEST CONDITIONS
$B_{OP}$	Magnetic Operate Point <sup>(1)</sup>	20 10	60 -	95 150	Gauss	+25 °C -55 °C to +125 °C
$B_{RP}$	Magnetic Release Point	10 5	45 -	85 145	Gauss	+25 °C -55 °C to +125 °C
$B_H$	Magnetic Hysteresis	5 5	15 -	40 145	Gauss	+25 °C -55 °C to +125 °C
$I_{CC}$	Supply Current	-	4	7	mA	$V_{CC} = 24\text{ V}$ , Output Off, $B \leq 10$ Gauss
$V_{OL}$	Output Saturation Voltage	-	100	400	mV	$V_{CC} = 4.5\text{ V}$ , $I_{OL} = 15\text{ mA}$ , $B \geq 95$ Gauss
$I_{OH}$	Output Leakage Current	-	0.10	10	μA	$V_{CC} = 24\text{ V}$ , $V_{OUT} = 24\text{ V}$ , $B \leq 10$ Gauss
$t_r$	Output Rise Time	-	0.21	1	μs	$R_L = 820\ \Omega$ , $C_L = 20\text{ pF}$ , $V_{CC} = 12\text{ V}$ (guaranteed not tested)
$t_f$	Output Fall Time	-	0.10	1	μs	

Notes:

(1) South pole facing symbolized surface.

#### General Note

TT Electronics reserves the right to make changes in product specification without notice or liability. All information is subject to TT Electronics' own data and is considered accurate at time of going to print.

TT Electronics | OPTEK Technology  
2900 E. Plano Pkwy, Plano, TX 75074 | Ph: +1 972 323 2200  
www.ttelectronics.com | sensors@ttelectronics.com

# High Reliability Halloglic<sup>®</sup> Hall Effect Sensors

OMH090, OMH3075, OMH3040 (B, S versions)  
OMH3131B

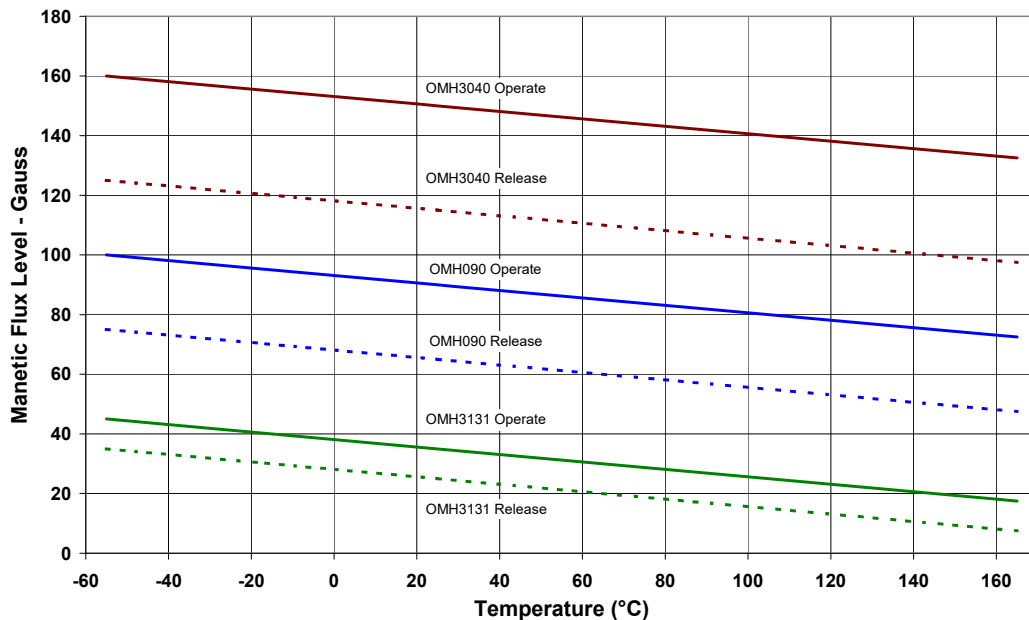


Obsolete (OMH3019, OMH3020(B & S), OMH3131S)

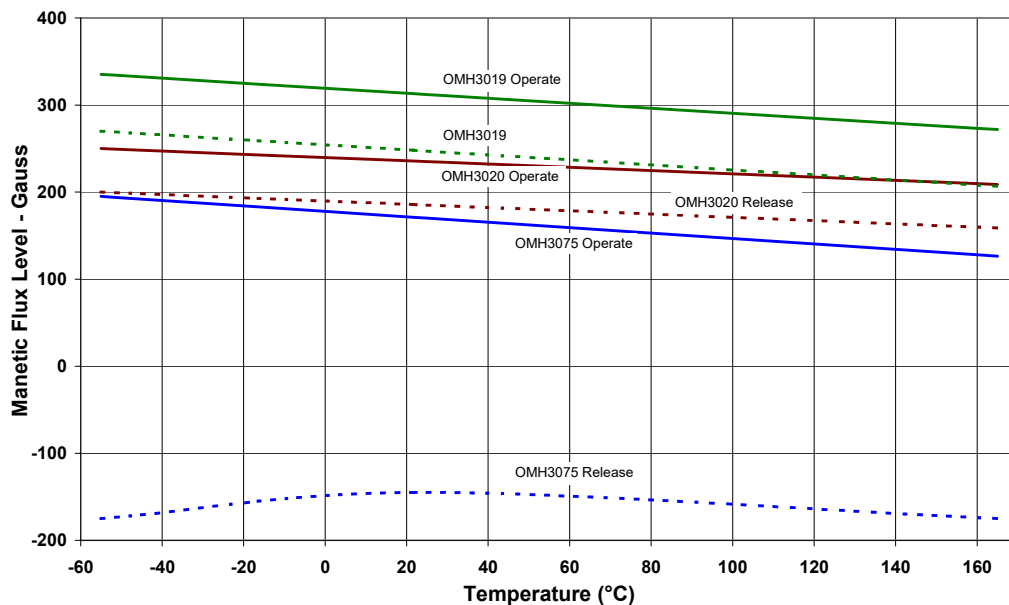
## Performance

OMH090, OMH3040, OMH3075 (B, S) OMH3131B

Magnetic Operate & Release Points vs Temperature



Magnetic Operate & Release Points vs Temperature



General Note  
TT Electronics reserves the right to make changes in product specification without notice or liability. All information is subject to TT Electronics' own data and is considered accurate at time of going to print.

TT Electronics | OPTEK Technology  
2900 E. Plano Pkwy, Plano, TX 75074 | Ph: +1 972 323 2200  
www.ttelectronics.com | sensors@ttelectronics.com

# High Reliability Halloglic<sup>®</sup> Hall Effect Sensors

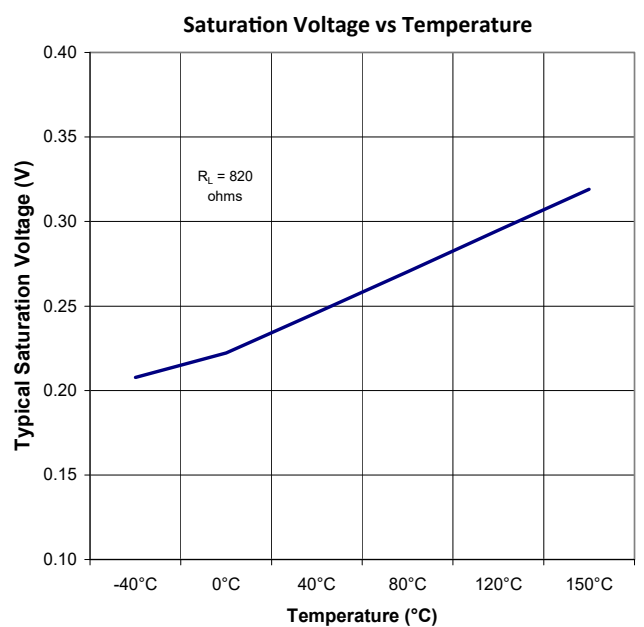
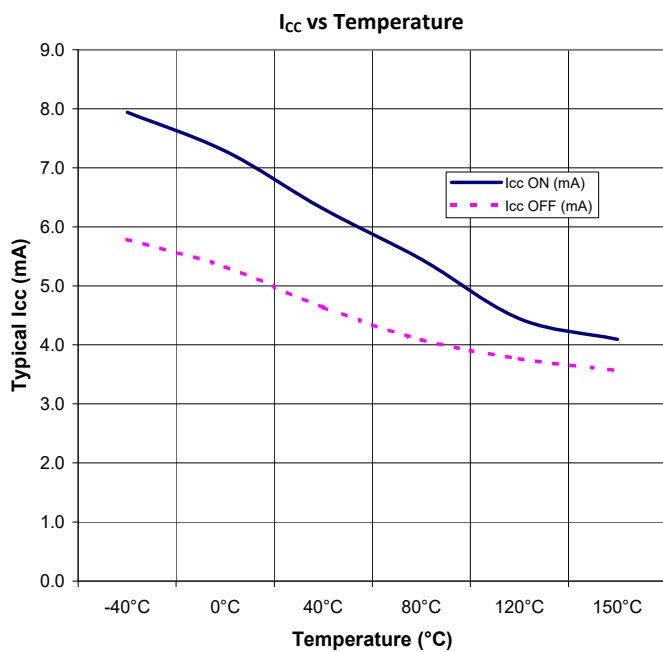
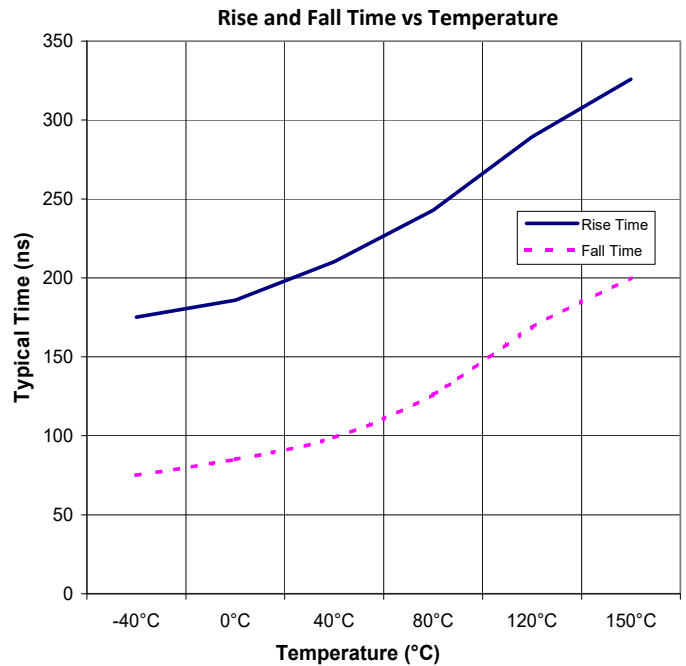
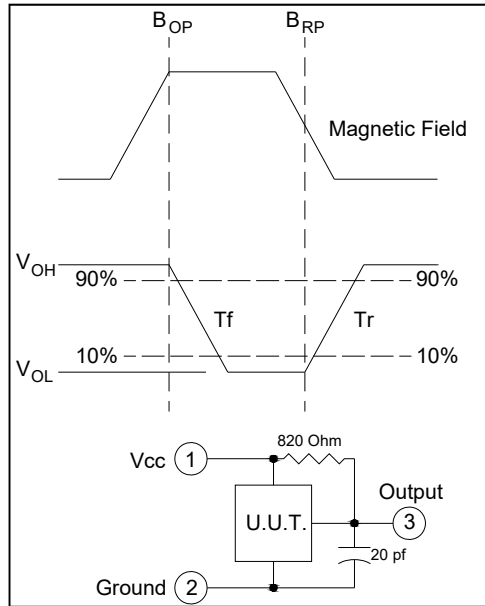
OMH090, OMH3075, OMH3040 (B, S versions)  
OMH3131B



Obsolete (OMH3019, OMH3020(B & S), OMH3131S)

## Performance

OMH090, OMH3040, OMH3075 (B, S) OMH3131B



#### General Note

TT Electronics reserves the right to make changes in product specification without notice or liability. All information is subject to TT Electronics' own data and is considered accurate at time of going to print.

TT Electronics | OPTeK Technology  
2900 E. Plano Pkwy, Plano, TX 75074 | Ph: +1 972 323 2200  
www.ttelectronics.com | sensors@ttelectronics.com

# Mouser Electronics

Authorized Distributor

Click to View Pricing, Inventory, Delivery & Lifecycle Information:

[TT Electronics:](#)

[OMH090B](#) [OMH090S](#) [OMH3040](#) [OMH3040B](#) [OMH3075](#) [OMH3075S](#) [OMH3075B](#) [OMH3040S](#)