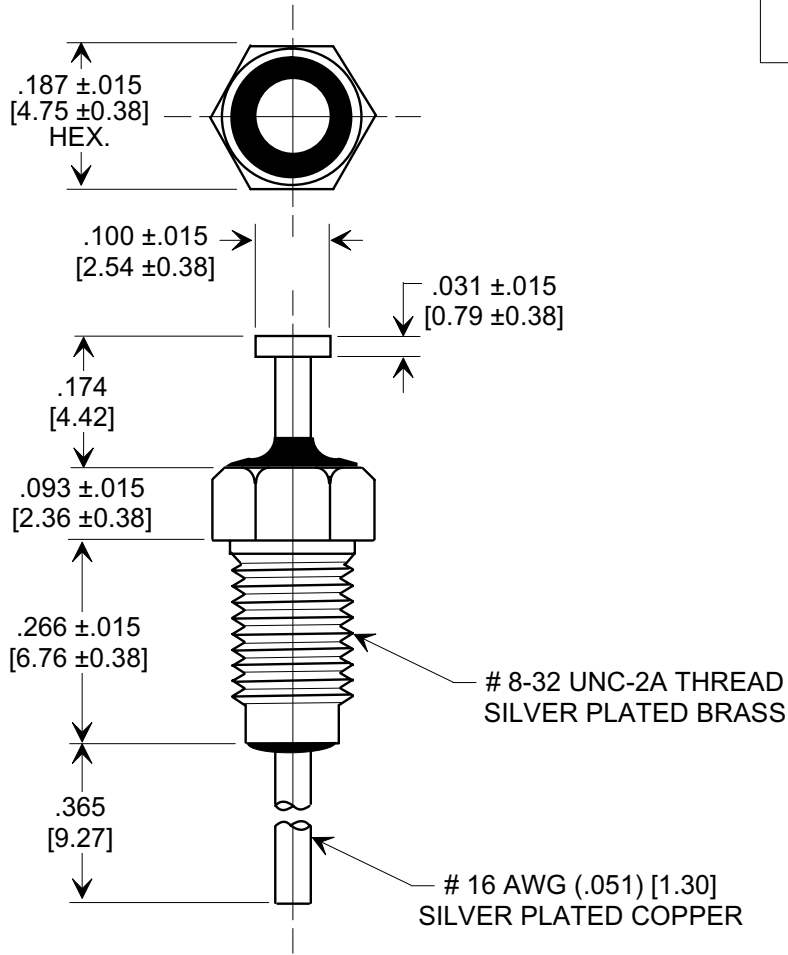
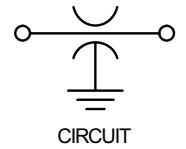
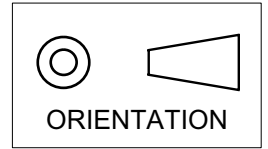


# MARKETING SALES DRAWING

**DIMENSIONS IN INCHES - DO NOT SCALE THIS DRAWING**  
**DIMENSIONS IN METRIC - [ ]**

Electrical Testing  
 per Tusonix standard  
 test plans and Mil-Std-202  
 Test Methods.



**NOTES:**

- SUPPLIED WITH SILVER PLATED HEX NUT AND INTERNAL TOOTH LOCK WASHER.
- MOUNTING TORQUE NOT TO EXCEED 5 lb - in. MAX. [.565 N-m]
- TUSONIX STANDARD PART NUMBER: 2425-018-X7R0-102P. TUSONIX RoHS COMPLIANT PART NUMBER: 2425-018-X7R0-102P LF. CUSTOMER MUST SPECIFY STANDARD OR RoHS PART NUMBER WHEN ORDERING.
- PART MARKING: STANDARD: BLACK INK FOR TRADEMARK AND CAP. CODE. RoHS PART: GREEN FOR TRADEMARK AND CAP. CODE.

## SPECIFICATIONS

|                        |                                     |
|------------------------|-------------------------------------|
| Tusonix Style:         | 2425-018                            |
| Capacitance Value:     | 1000 pF                             |
| Capacitance Tolerance: | -0 % +100%                          |
| Temp. Characteristic:  | X7R                                 |
| Rating:                | 200 VDC @ + 85°C / 100 VDC @ +125°C |
| Current (A):           | 20                                  |
| Operating Range:       | -55°C TO +125°C                     |
| Insulation Resistance: | 10,000 megohms (min.) @ +25°C       |
| DWV @ 2 Sec. Min:      | 600 VDC                             |

|                        |          |   |
|------------------------|----------|---|
| <b>REVISION RECORD</b> | <b>0</b> | Original Release<br>C.O. 20040813-3-01<br>ADDED NOTES 3 & 4.<br>S.M. 11-01-05         |
|                        | <b>1</b> | 20051031-1-08<br>CAPACITANCE TOLERANCE<br>REVISED -0% +100% WAS<br>±20% L.E. 12-14-05 |
|                        | <b>2</b> | 20051214-1-01   |
|                        |          |   |

|  |
|--|
| --TOLERANCES--<br>Unless Otherwise Specified |
| DECIMAL ± .031 [0.79]                        |
| ANGLES ±                                     |
| <b>TUSONIX</b><br>TUCSON, ARIZONA            |

|  |                           |
|--|---------------------------|
| <b>Title</b><br><b>MINIATURE BUSHING FEED-THRU</b> |                           |
| Drawn  | S.M. 08-13-04             |
| Approved   | B.Mc. 08-13-04            |
| <b>A</b>   | <b>2425-018-X7R0-102P</b> |

# Mouser Electronics

Authorized Distributor

Click to View Pricing, Inventory, Delivery & Lifecycle Information:

[Tusonix / CTS:](#)

[2425-018-X7R0-102PLF](#)