



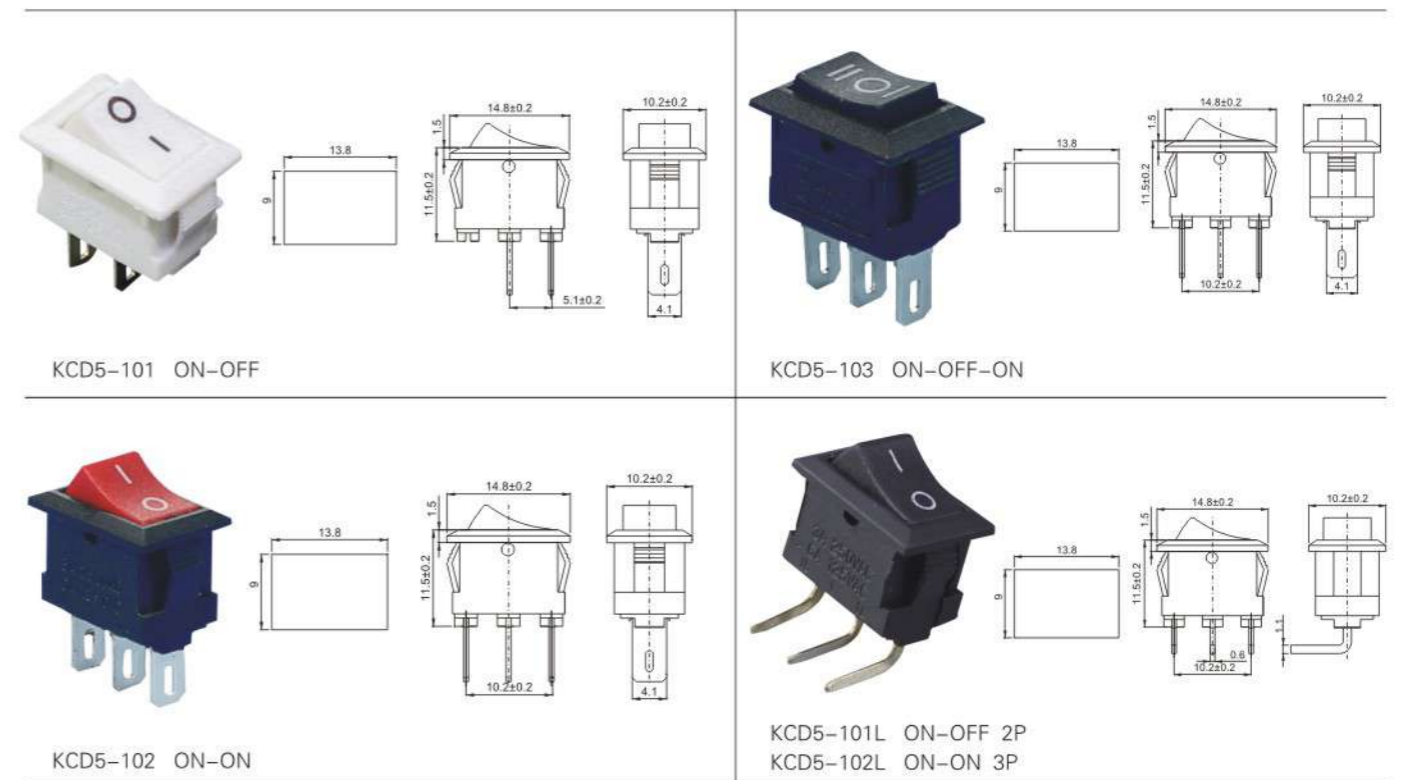
KCD5 Series Rocker Switch













技术特性 Specification

- 1. 规格 Rating: 6A 125VAC; 3A 250VAC
- 2. 接触电阻 Contact Resistance: 35mΩ max
- 3. 绝缘电阻 Insulation Resistance: 500VDC 100MΩ min
- 4. 耐电压 Dielectric Strength: 1500VAC, 1 Minute
- 5. 操作温度 Operating Temperature: -25°C~ +85°C
- 6. 电气寿命 Electrical Life: ≥10,000 Cycles

型号说明 Model Information

特征 Features	序号 Series	单刀 1 Pole	功能 Function	灯 Lamp	端子类型 Terminals	标记 Marking	按钮颜色 Actuator Color	外壳颜色 Housing Color	灯电压 Lamp Volt
1 Miniature			01 ON-OFF	No mark No Lamp	No mark Straight	C1	W 白色 White	W 白色 White	3V
2 Medium 2 poles			02 ON-ON	N With Lamp	L Right Angle	C2	R 红色 Red	R 红色 Red	6V
3 Medium 1 pole			03 ON-OFF-ON		T Through hole	C3	G 绿色 Green	G 绿色 Green	12V
5 Sub-Miniature			11 (ON-OFF) (单复位)			C4	Y 黄色 Yellow	Y 黄色 Yellow	24V
			12 (ON-ON) (单复位)			C5	B 蓝色 Blue	B 蓝色 Blue	48V
			13 (ON-OFF-ON) (单复位)			C6	O 橙色 Orange	O 橙色 Orange	110V
			23 (ON-OFF-ON) (双复位)			C7	GR 灰色 Gray	GR 灰色 Gray	220V
						C8	C 咖啡色 Coffee	C 咖啡色 Coffee	
						C9			
						C10			
						CX			



 <p>WPC-1510</p>	 <p>KCD5-303-1 SPST KCD5-303-2 DPST</p>
 <p>KCD5-2-101 ON-OFF</p>	 <p>KCD5-304</p>
 <p>KCD5-2-102 ON-ON</p>	 <p>8S.304</p>
 <p>KCD5-2-101N ON-OFF</p>	 <p>KCD5-305</p>
 <p>WPC-16</p>	 <p>KCD5-322</p>
 <p>KCD5-3-101 ON-OFF</p>	 <p>KCD5-307</p>

KCD1 Series Rocker Switch





技术特性 Specification

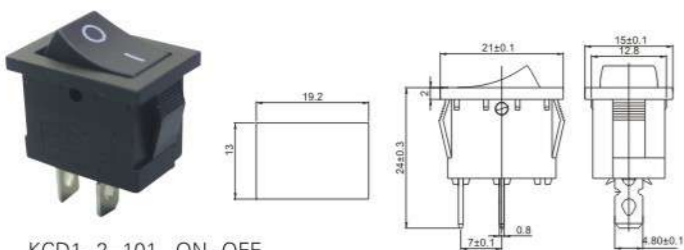
- | | |
|---|---|
| 1. 规格 Rating: 10A 125VAC; 6A 250VAC | 4. 耐电压 Dielectric Strength: 1500VAC, 1 Minute |
| 2. 接触电阻 Contact Resistance: 35mΩ max | 5. 操作温度 Operating Temperature: -25°C~ +85°C |
| 3. 绝缘电阻 Insulation Resistance: 500VDC 100MΩ min | 6. 电气寿命 Electrical Life: ≥10,000 Cycles |

型号说明 Model Information

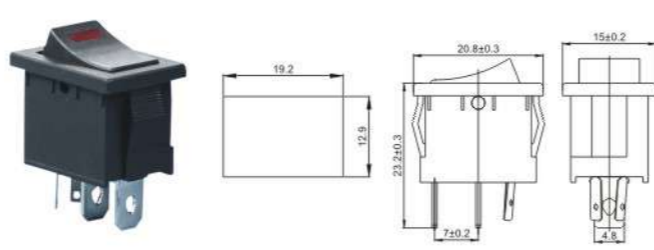
KCD 1 - 2 - 1 01 N W L - C3 - R B - 220V

特征 Features	序号 Series	刀数 Poles	功能 Function	带灯状态 Lamp	按钮类型 Actuator	端子类型 Terminals	标记 Marking	按钮颜色 Actuator Color	外壳颜色 Housing Color	灯电压 Lamp Volt
1 Miniature	1 1 pole 1 button	01 ON-OFF	No Mark	No lamp	No Mark	No Mark	C1	W 白色 White	W 白色 White	3V
2 Medium 2 poles	2 2 pole 1 button	02 ON-ON	N	Lens illuminated	N	D	C2	R 红色 Red	R 红色 Red	6V
3 Medium 1 pole	21 2 pole 2 button	03 ON-OFF-ON	EN	Dot illuminated	EN	L	C3	G 绿色 Green	G 绿色 Green	12V
5 Sub-Miniature	3 3 pole 1 button	11 (ON)-OFF(单复位)	No Mark	C shape	No Mark	S	C4	Y 黄色 Yellow	Y 黄色 Yellow	24V
	31 3 pole 3 button	12 (ON)-ON(单复位)	W	Waterproof	W	T	C5	BL 蓝色 Blue	BL 蓝色 Blue	48V
		13 (ON)-OFF-ON(单复位)	H	High Actuator	H		C6	O 橙色 Orange	O 橙色 Orange	110V
		23 (ON)-OFF-ON(双复位)	V	V shape	V		C7	GR 灰色 Gray	GR 灰色 Gray	220V
							C8	C 咖啡色 Coffee	C 咖啡色 Coffee	
							C9			
							C10			
							CX			

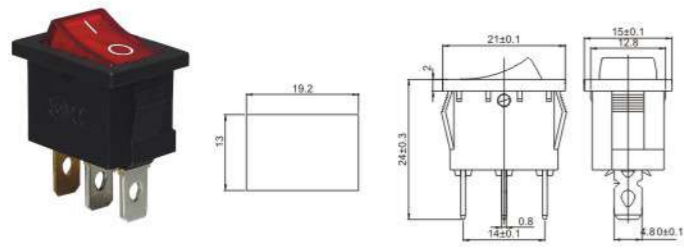
 <p>KCD1-101 ON-OFF</p>	 <p>KCD1-1-101 ON-OFF</p>
 <p>KCD1-102 ON-ON</p>	 <p>KCD1-1-102 ON-ON</p>



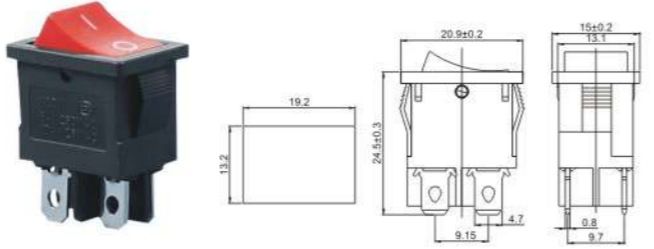
KCD1-2-101 ON-OFF
KCD1-2-111 OFF-(ON)



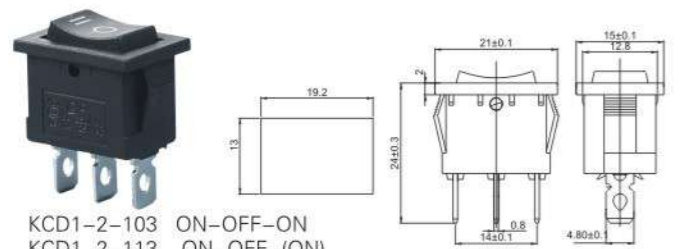
KCD1-3-101EN ON-OFF (3V LED)



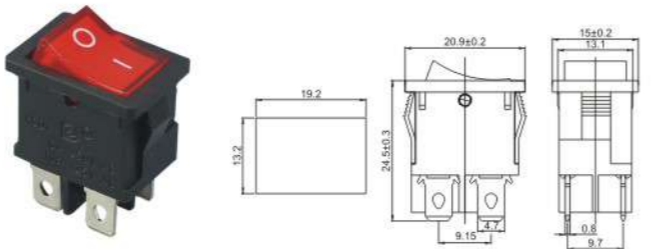
KCD1-2-101N ON-OFF



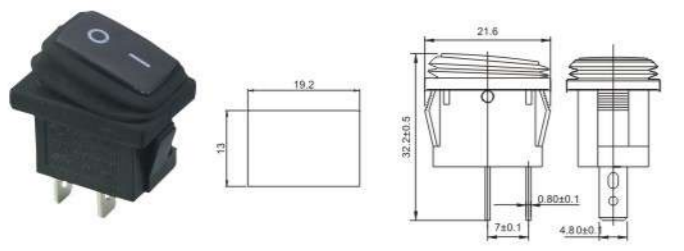
KCD1-4-201 ON-OFF



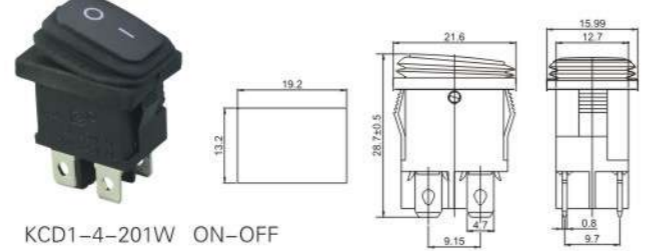
KCD1-2-103 ON-OFF-ON
KCD1-2-113 ON-OFF-(ON)
KCD1-2-123 (ON)-OFF-(ON)



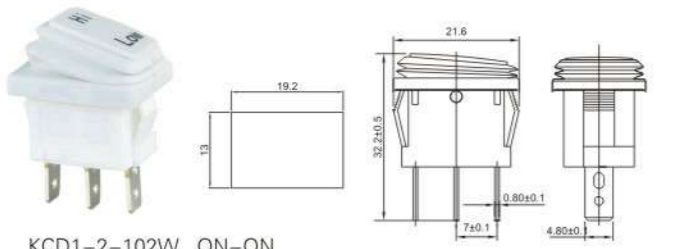
KCD1-4-201N ON-OFF



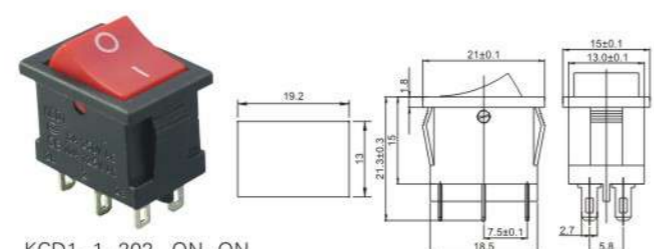
KCD1-2-101W ON-OFF



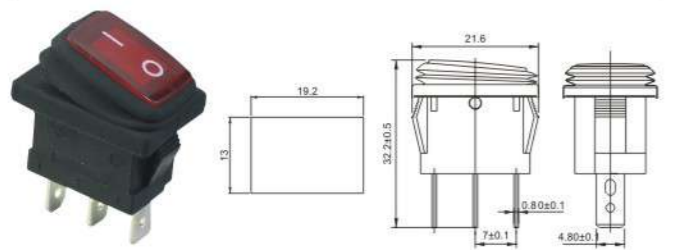
KCD1-4-201W ON-OFF
KCD1-4-201NW ON-OFF



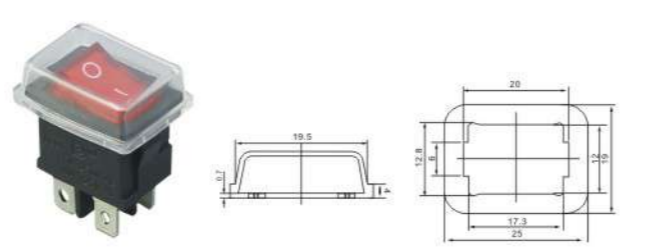
KCD1-2-102W ON-ON
KCD1-2-103W ON-OFF-ON



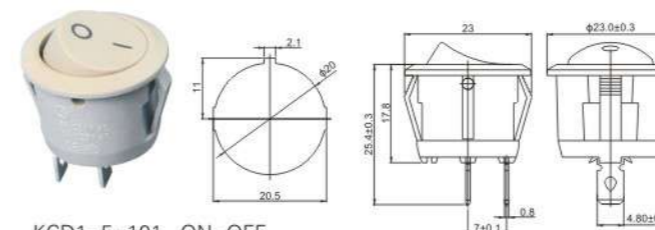
KCD1-1-202 ON-ON
KCD1-1-203 ON-OFF-ON



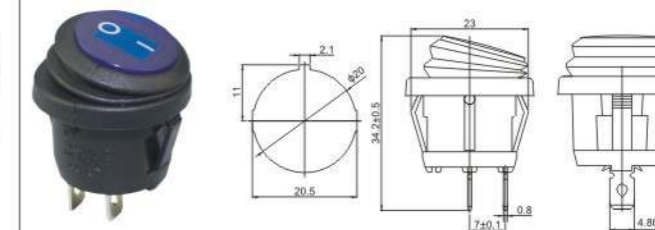
KCD1-2-101NW ON-OFF



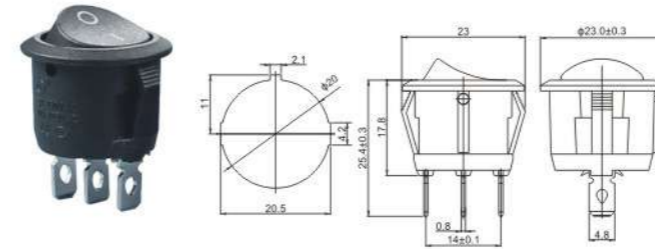
WPC-01



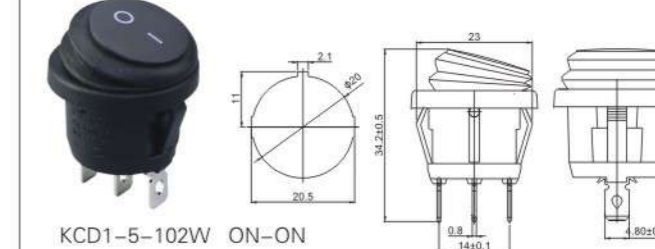
KCD1-5-101 ON-OFF
KCD1-5-111 OFF-(ON)



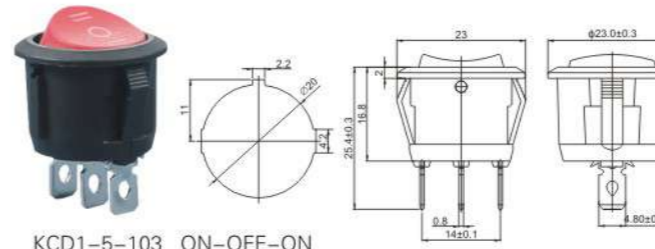
KCD1-5-101W ON-OFF



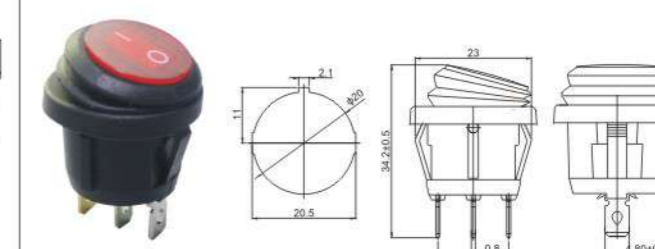
KCD1-5-102 ON-ON



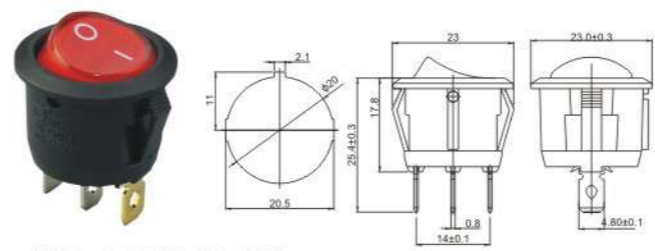
KCD1-5-102W ON-ON
KCD1-5-103W ON-OFF-ON



KCD1-5-103 ON-OFF-ON
KCD1-5-113 ON-OFF-(ON) KCD1-5-123 (ON)-OFF-(ON)



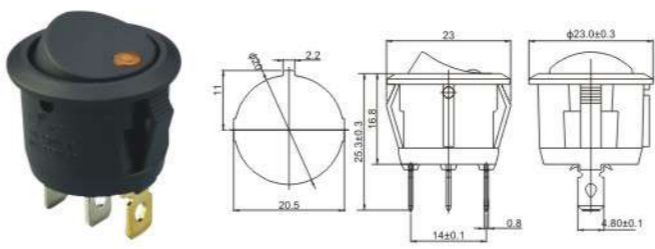
KCD1-5-101NW ON-OFF



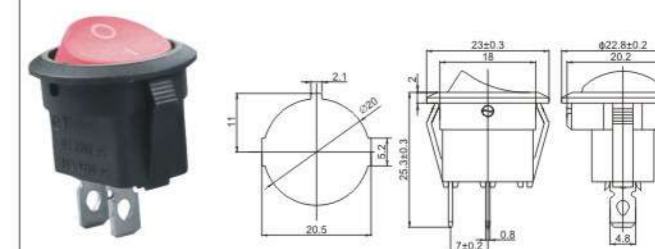
KCD1-5-101N ON-OFF



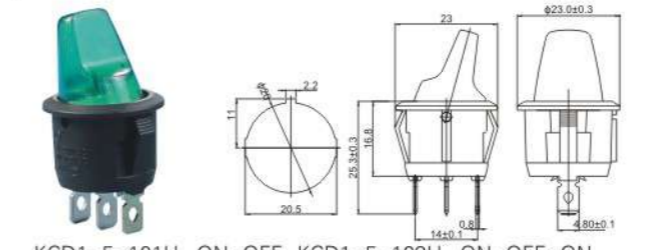
KCD1-7-101Y ON-OFF 2P
KCD1-7-101NY ON-OFF 3P



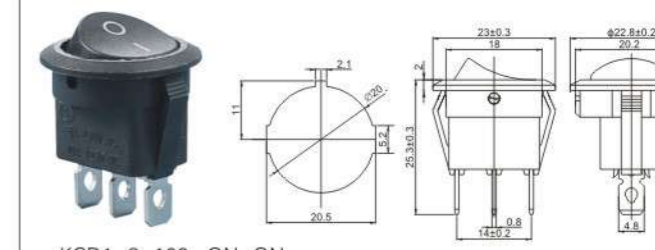
KCD1-5-101EN ON-OFF



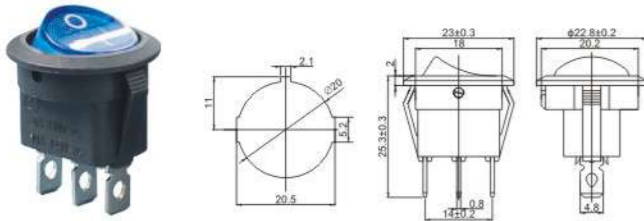

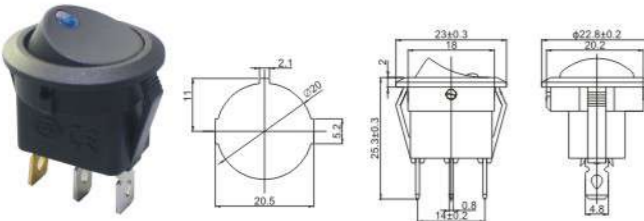
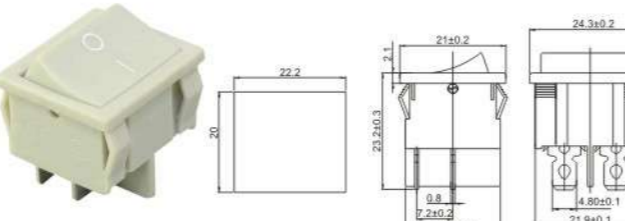
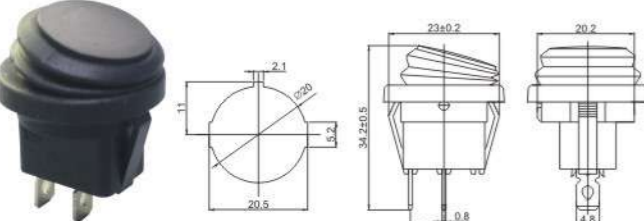
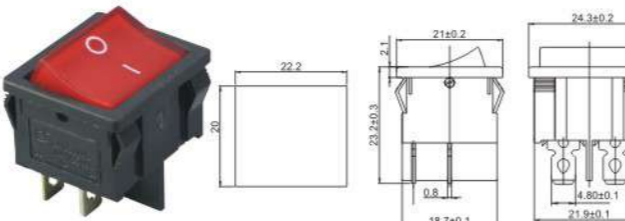
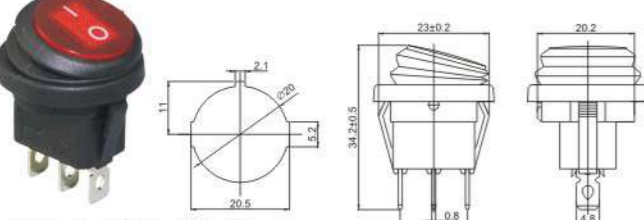
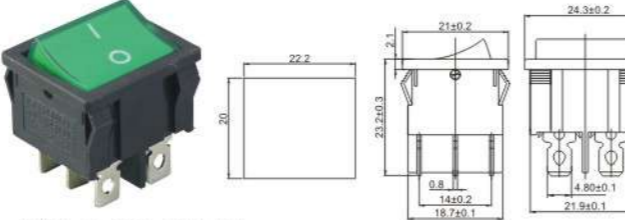
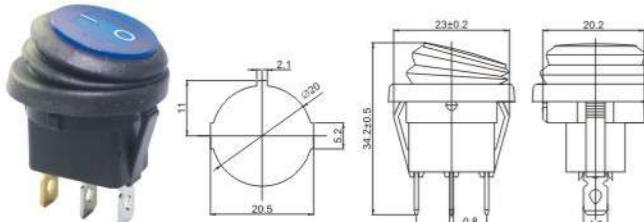
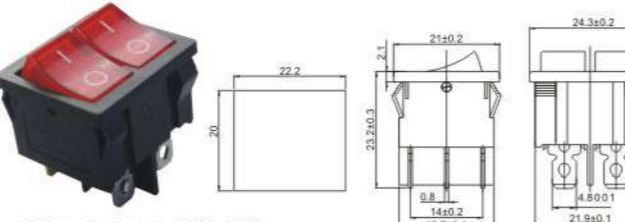
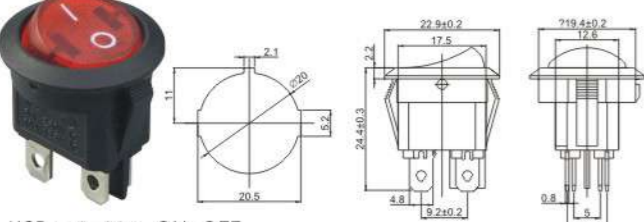

KCD1-8-101 ON-OFF

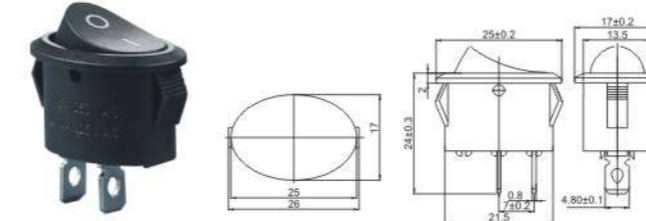
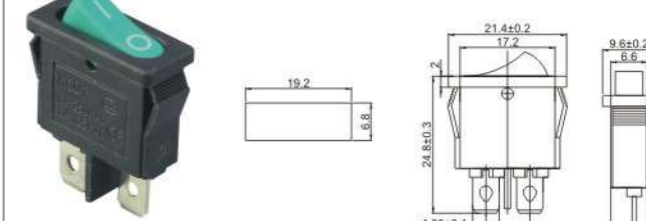
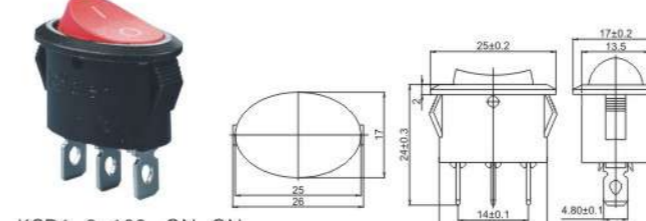

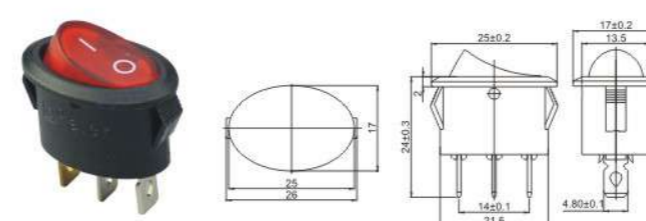
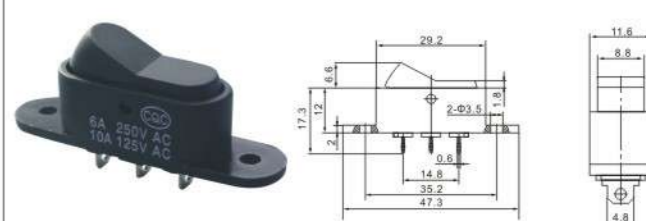

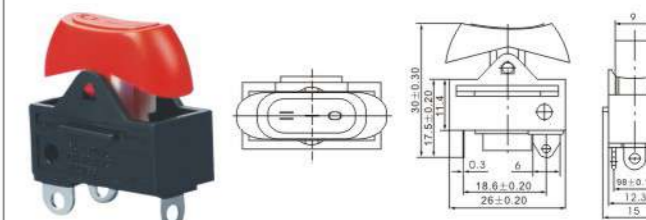
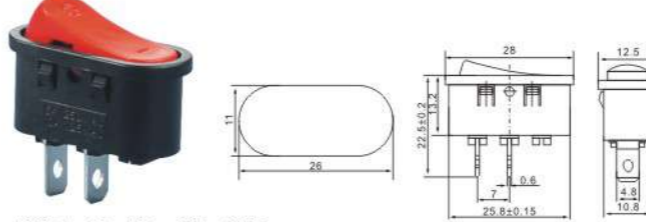
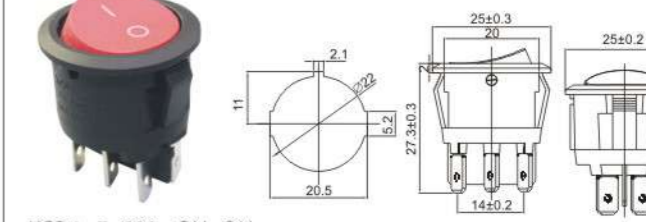
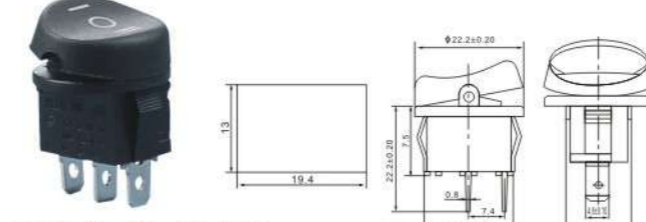
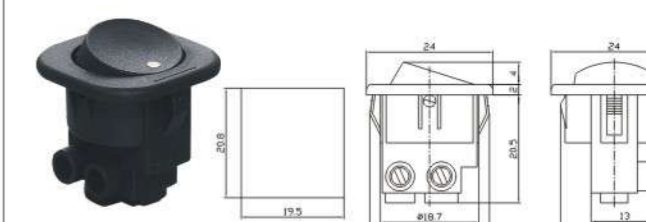


KCD1-5-101H ON-OFF KCD1-5-103H ON-OFF-ON
KCD1-5-102H ON-ON KCD1-5-101NH ON-OFF



KCD1-8-102 ON-ON
KCD1-8-103 ON-OFF-ON

 <p>KCD1-8-101N ON-OFF</p>	 <p>WPC-02</p>
 <p>KCD1-8-101EN ON-OFF</p>	 <p>KCD1-6-201 ON-OFF</p>
 <p>KCD1-8-101W ON-OFF</p>	 <p>KCD1-6-201N ON-OFF</p>
 <p>KCD1-8-102W ON-ON KCD1-8-103W ON-OFF-ON</p>	 <p>KCD1-6-202 ON-ON KCD1-6-202N ON-ON KCD1-6-203 ON-OFF-ON</p>
 <p>KCD1-8-101NW ON-OFF</p>	 <p>KCD1-6-2101 ON-OFF KCD1-6-2101N ON-OFF KCD1-6-2102 ON-ON</p>
 <p>KCD1-8-201 ON-OFF KCD1-8-201N ON-OFF</p>	 <p>WPC-15</p>

 <p>KCD1-9-101 ON-OFF</p>	 <p>KCD1-12-101 ON-OFF</p>
 <p>KCD1-9-102 ON-ON KCD1-9-103 ON-OFF-ON</p>	 <p>WPC-14</p>
 <p>KCD1-9-101N ON-OFF</p>	 <p>KCD1-13-102 ON-ON</p>
 <p>WPC-13</p>	 <p>KCD1-122-1 OFF-ON-ON</p>
 <p>KCD1-10-101 ON-OFF KCD1-10-102 ON-ON</p>	 <p>KCD1-5-202 ON-ON KCD1-5-203 ON-OFF-ON</p>
 <p>KCD1-11-101 ON-OFF KCD1-11-103 ON-OFF-ON</p>	 <p>MRS-7-101 ON-OFF</p>

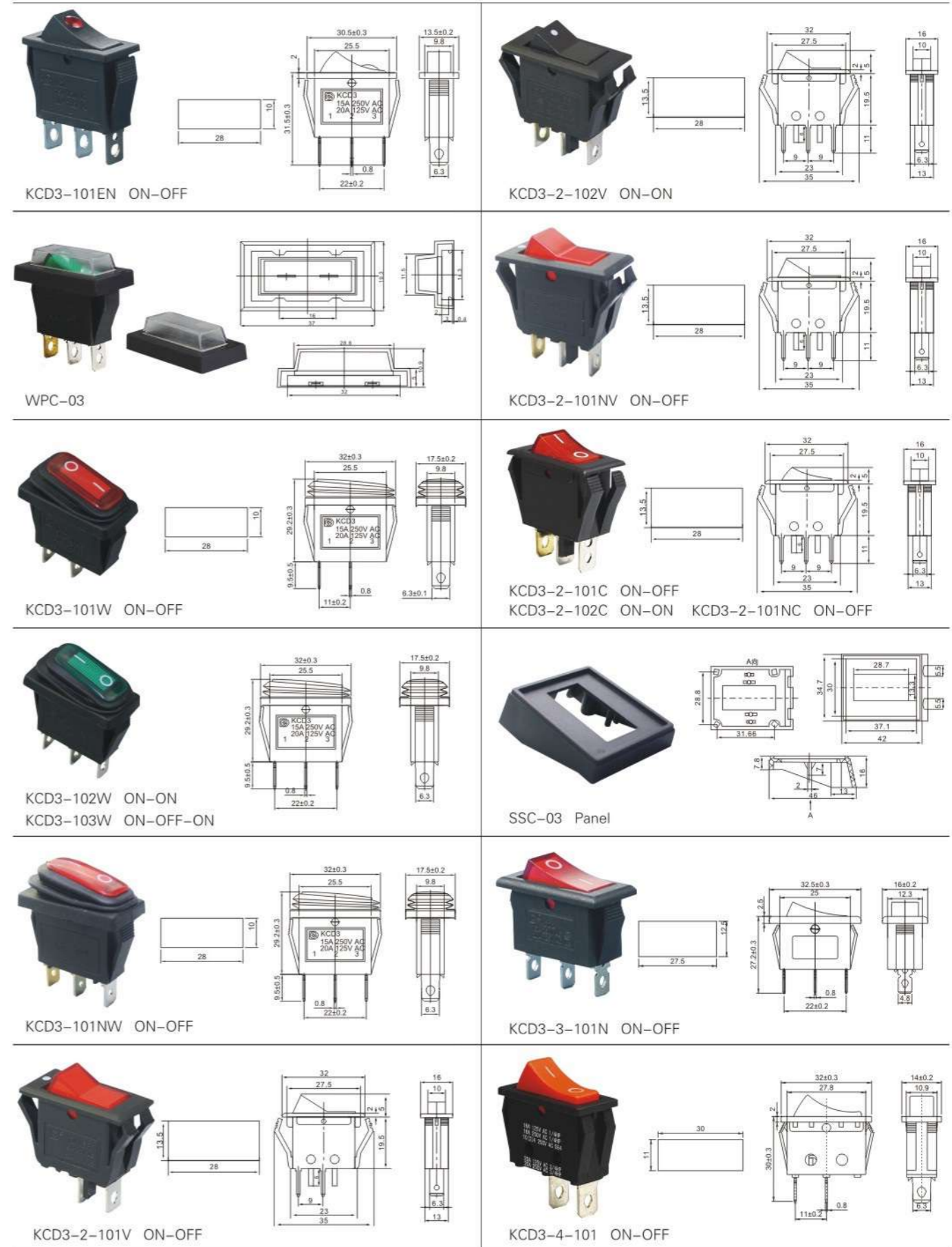
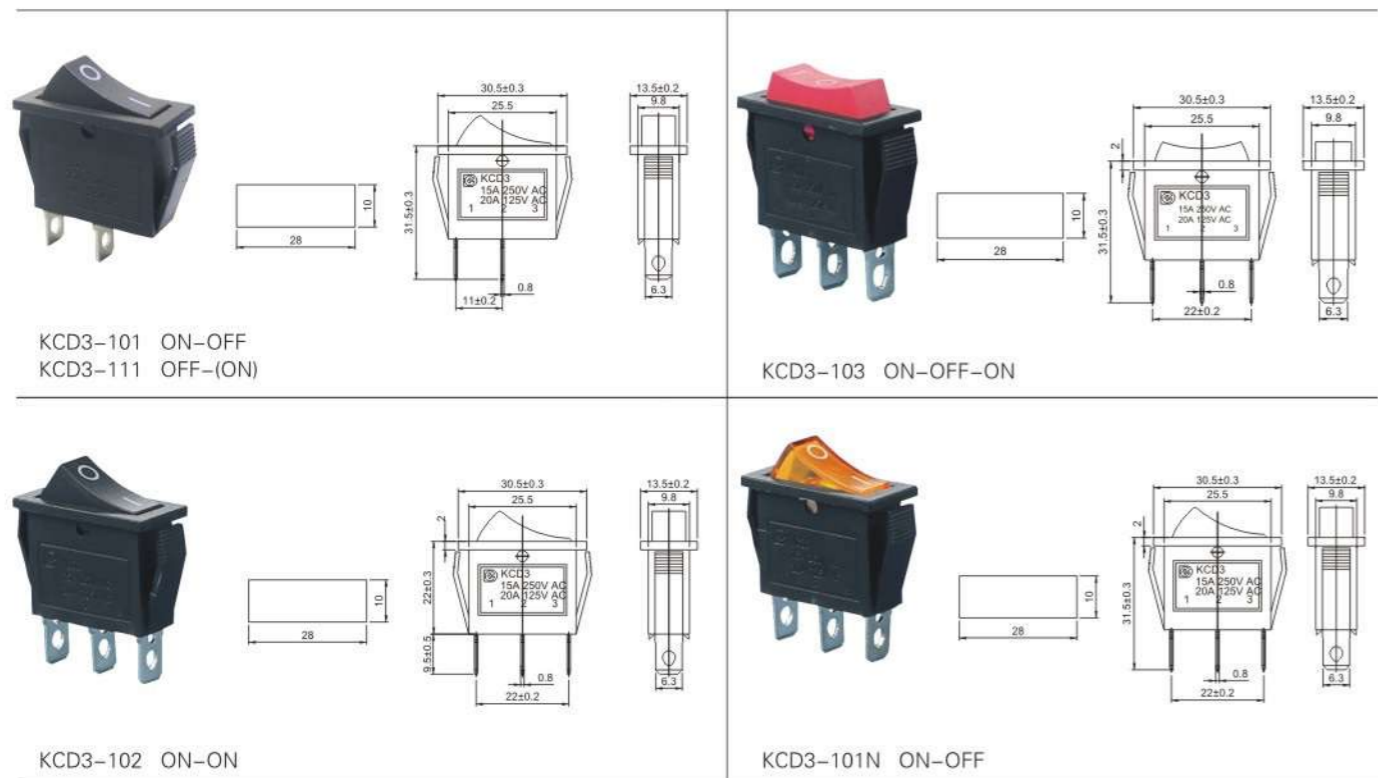
KCD3 Series Rocker Switch

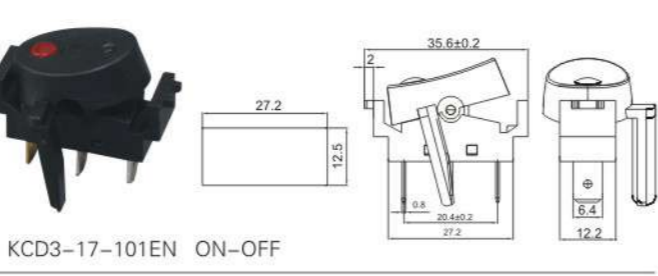
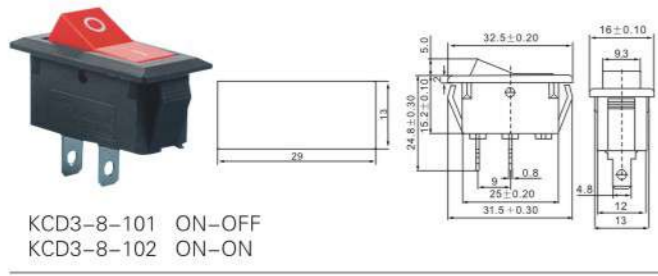
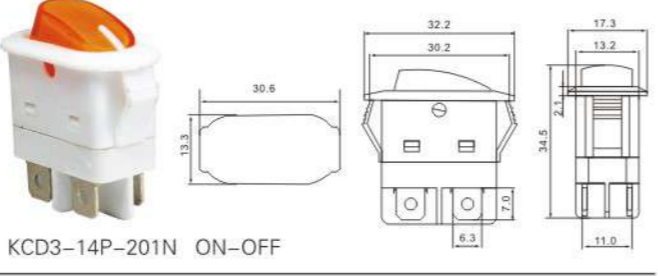
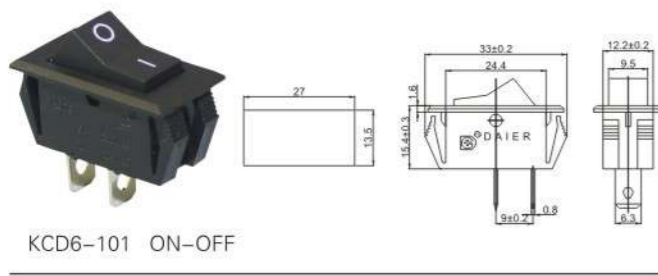
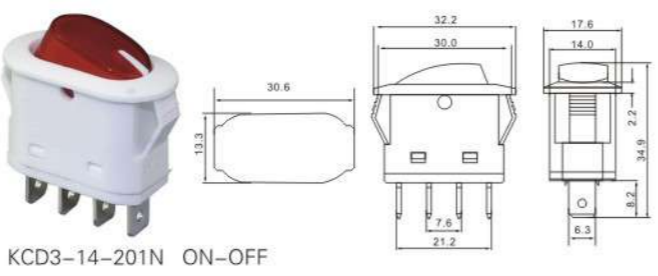
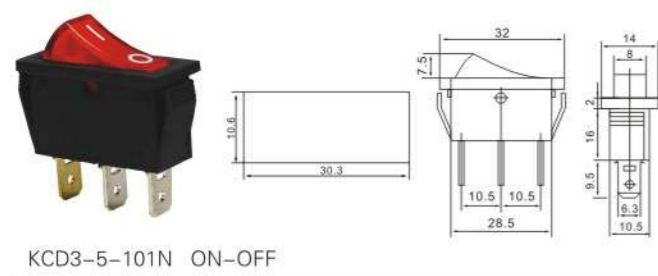
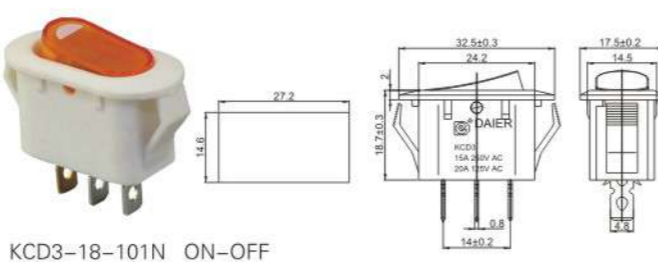
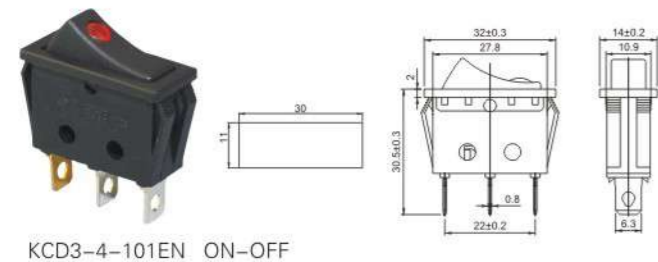
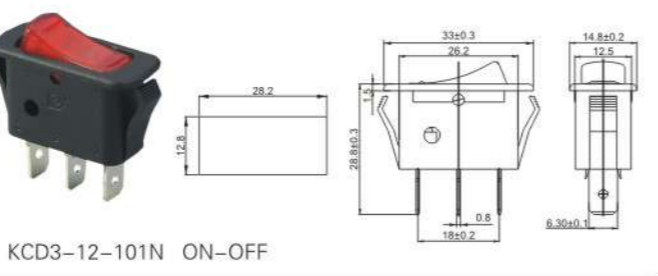
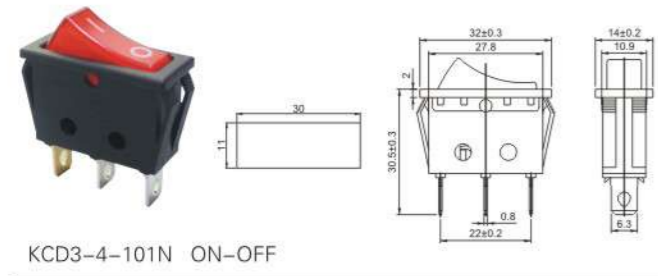
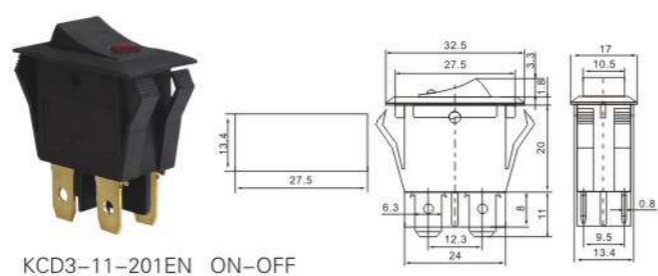
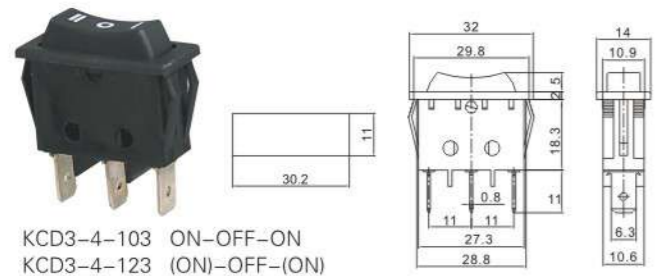
技术特性 Specification

- 规格 Rating: 20A 125VAC; 15A 250VAC
- 接触电阻 Contact Resistance: 35mΩ max
- 绝缘电阻 Insulation Resistance: 500VDC 100MΩ min
- 耐电压 Dielectric Strength: 1500VAC, 1 Minute
- 操作温度 Operating Temperature: -25°C~+85°C
- 电气寿命 Electrical Life: ≥10,000 Cycles

型号说明 Model Information

KCD	3	-	2	-	1	01	N	W	L	-	C3	-	R	B	-	220V
特征	序号	刀数	功能	带灯状态	按钮类型	端子类型	标记	按钮颜色	外壳颜色	灯电压						
Features	Series	Poles	Function	Lamp	Actuator	Terminals	Marking	Actuator Color	Housing Color	Lamp Volt						
1 Miniature	1 1 pole 1 button	01 ON-OFF	No Mark	No lamp	No Mark	Straight	C1	W 白色 White	W 白色 White	3V						
2 Medium 2 poles	2 2 pole 1 button	02 ON-ON	N	Lens illuminated	D	Short	C2	R 红色 Red	R 红色 Red	6V						
3 Medium 1 pole	2 2 pole 2 button	03 ON-OFF-ON	EN	Dot illuminated	L	Right Angle	C3	G 绿色 Green	G 绿色 Green	12V						
5 Sub-Miniature	3 3 pole 1 button	11 (ON)-OFF(单复位)	No Mark	C shape	S	Screw	C4	Y 黄色 Yellow	Y 黄色 Yellow	24V						
	3 3 pole 1 button	12 (ON)-ON(单复位)	W	Waterproof	T	Through hole	C5	B 蓝色 Blue	B 蓝色 Blue	48V						
	3 3 pole 3 button	13 (ON)-OFF-(ON)(双复位)	H	High Actuator			C6	O 橙色 Orange	O 橙色 Orange	110V						
	3 3 pole 3 button	23 (ON)-OFF-(ON)(双复位)	V	V shape			C7	GR 灰色 Gray	GR 灰色 Gray	220V						
							C8	C 咖啡色 Coffee	C 咖啡色 Coffee							
							C9									
							C10									
							CX	其他规格								





KCD2 Series Rocker Switch

技术特性 Specification

- 规格 Rating: 20A 125VAC; 16A 250VAC
- 接触电阻 Contact Resistance: 35mΩ max
- 绝缘电阻 Insulation Resistance: 500VDC 100MΩ min
- 耐电压 Dielectric Strength: 1500VAC, 1 Minute
- 操作温度 Operating Temperature: -25°C ~ +85°C
- 电气寿命 Electrical Life: ≥ 10,000 Cycles

型号说明 Model Information

特征 Features	序号 Series	刀数 Poles	功能 Function	带灯状态 Lamp	按钮类型 Actuator	端子类型 Terminals	标记 Marking	按钮颜色 Actuator Color	外壳颜色 Housing Color	灯电压 Lamp Volt
1 Miniature	1	1 pole 1 button	01 ON-OFF	No Mark	No lamp	No Mark	C1	W 白色 White	W 白色 White	3V
2 Medium 2 poles	2	2 pole 1 button	02 ON-ON	N	Lens illuminated	D	C2	R 红色 Red	R 红色 Red	6V
3 Medium 1 pole	21	2 pole 2 button	03 ON-OFF-ON	EN	Dot illuminated	L	C3	G 绿色 Green	G 绿色 Green	12V
5 Sub-Miniature	3	3 pole 1 button	11 (ON)-OFF(带复位)	No Mark	C shape	S	C4	Y 黄色 Yellow	Y 黄色 Yellow	24V
	31	3 pole 3 button	12 (ON)-ON(带复位)	W	Waterproof	T	C5	B 蓝色 Blue	B 蓝色 Blue	48V
			13 (ON)-OFF-(ON)带复位	H	High Actuator		C6	O 橙色 Orange	O 橙色 Orange	110V
			23 (ON)-OFF-(ON)双复位	V	V shape		C7	GR 灰色 Gray	GR 灰色 Gray	220V
							C8	C 咖啡色 Coffee	C 咖啡色 Coffee	
							C9			
							C10			
							CX			

