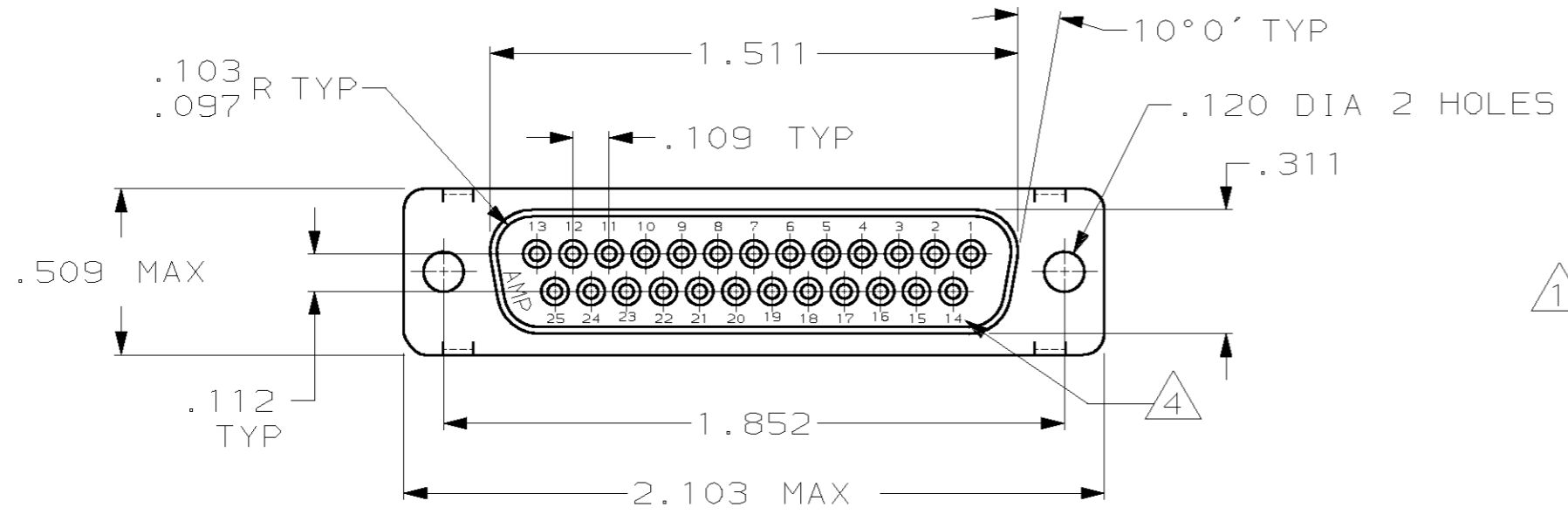
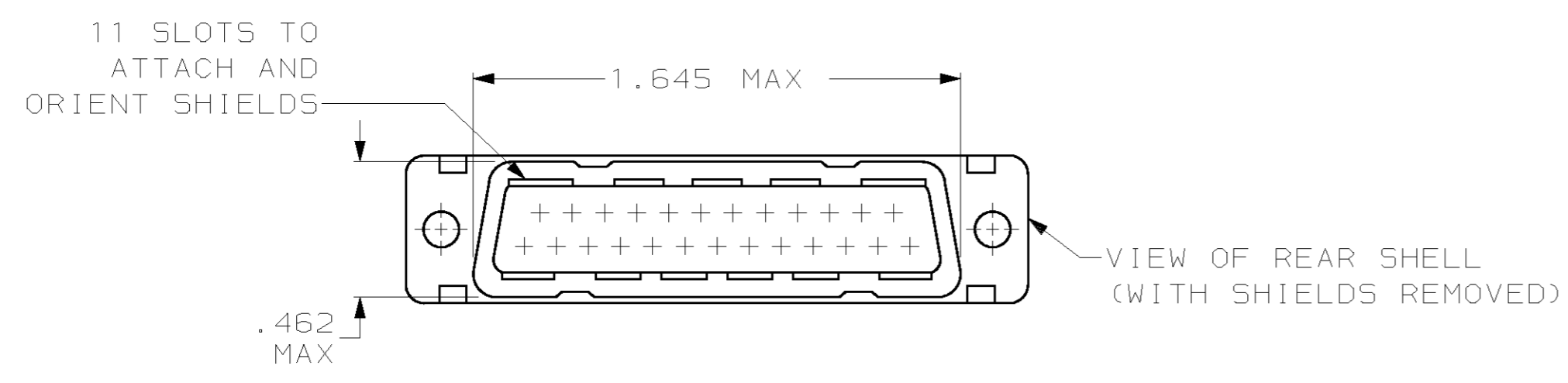
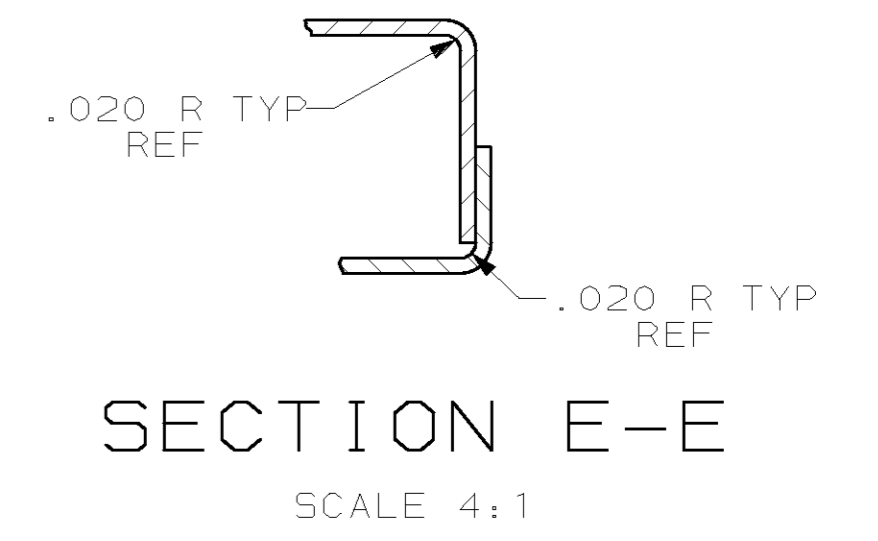
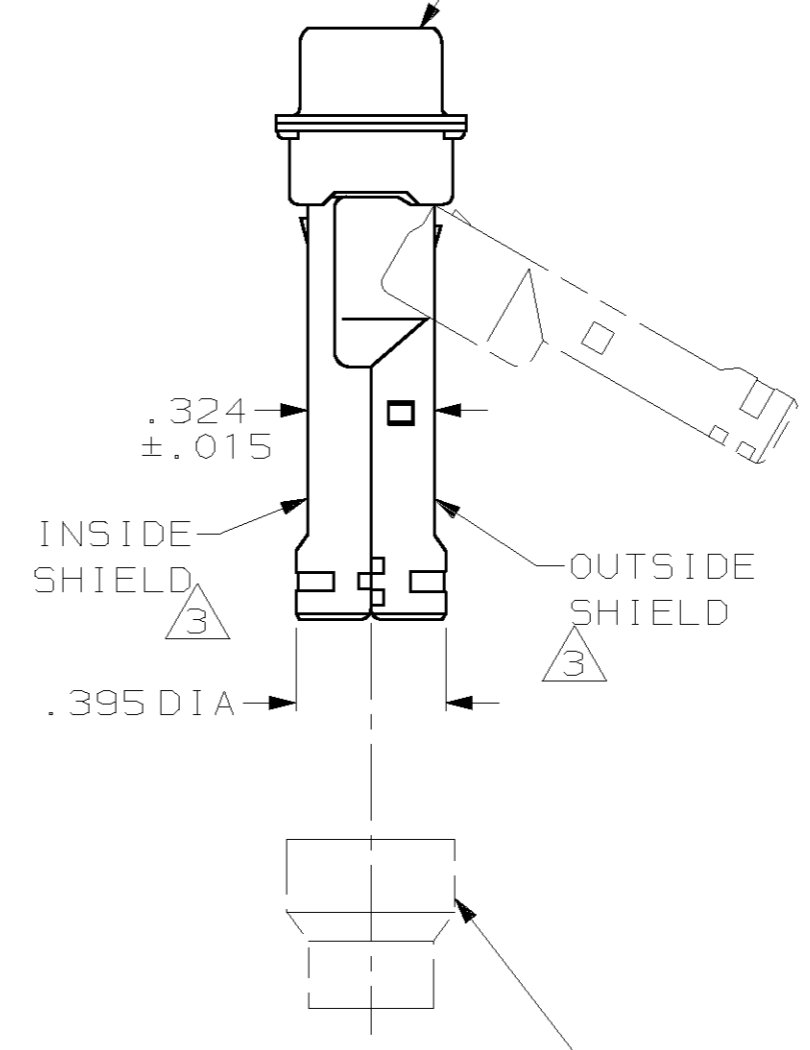
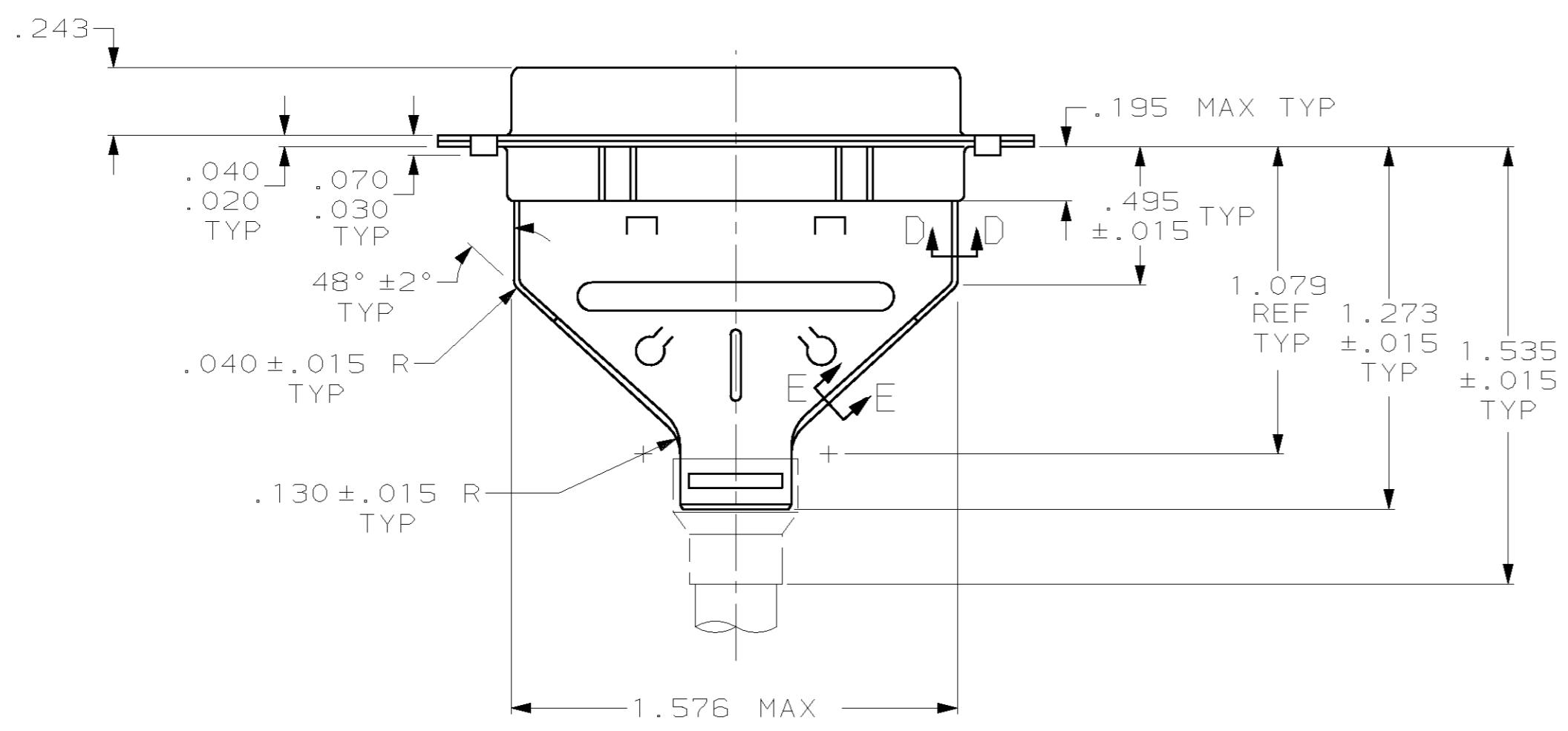
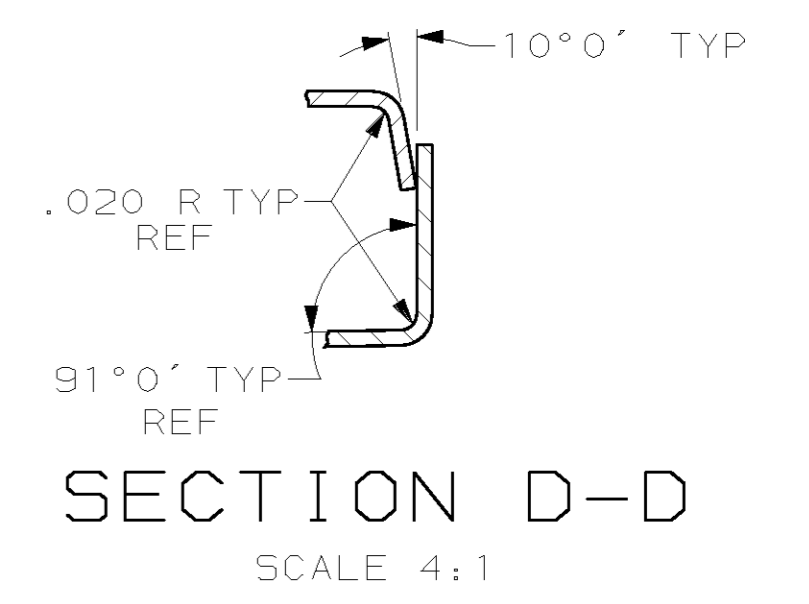


THIS DRAWING IS UNPUBLISHED. RELEASED FOR PUBLICATION
 (C) COPYRIGHT 19 BY AMP INCORPORATED. ALL RIGHTS RESERVED.

LOC		DIST		REVISIONS					
P	LTR	DESCRIPTION	DATE	DWN	APVD				
GP	00			0		RELEASED PER EC 0513-0196-03	31JUL03	JR	JG



1 RCPT CONNECTOR
 INSERTS: BLACK GLASS-FILLED NYLON, 94V-0 RATED.
 SHELLS: STEEL PER ASTM A109, PLATED, .000200 MIN TIN OVER .000100 MIN COPPER UNDERPLATE.



FERRULE (MUST BE PURCHASED SEPARATELY)

- 1 RCPT ACCEPTS SIZE 20 SOCKET CONTACTS (CONTACTS MUST BE ORDERED SEPARATELY).
- 2. ALL PARTS SHIPPED UNASSEMBLED, EACH PART INDIVIDUALLY BULK PACKED.
- 3 SHIELDS: MATERIAL-.020 THICK STEEL, PER ASTM A109, PLATED .000200 MIN TIN OVER .000100 MIN COPPER UNDERPLATE.
- 4 RAISED CAVITY IDENTIFICATION AND AMP TRADEMARK.

1658649-1
 PART NUMBER

THIS DRAWING IS A CONTROLLED DOCUMENT.		DWN	J.REITZEL	31 JUL03	AMP Incorporated Harrisburg, PA 17105-3608			
DIMENSIONS: INCH		CHK	S.BOLASH	31 JUL03				
TOLERANCES UNLESS OTHERWISE SPECIFIED:		APVD	M.WALMSLEY	31 JUL03				
0 PLC ± 1 PLC ± 2 PLC ± 3 PLC ±.005 4 PLC ± ANGLES ±0°30'		NAME	KIT, RCPT, SHIELDING HARDWARE, SIZE 3, 25 POSITION, AMPLIMIT™ HDP-20					
MATERIAL		PRODUCT SPEC	108-40030		SIZE	CAGE CODE	DRAWING NO	RESTRICTED TO
SEE CALL OUT 3		FINISH	114-40030		A2	00779	C- 1658649	-
SEE CALL OUT 3		WEIGHT	-		SCALE	4:1		SHEET 1 OF 1
		CUSTOMER DRAWING			REV	0		